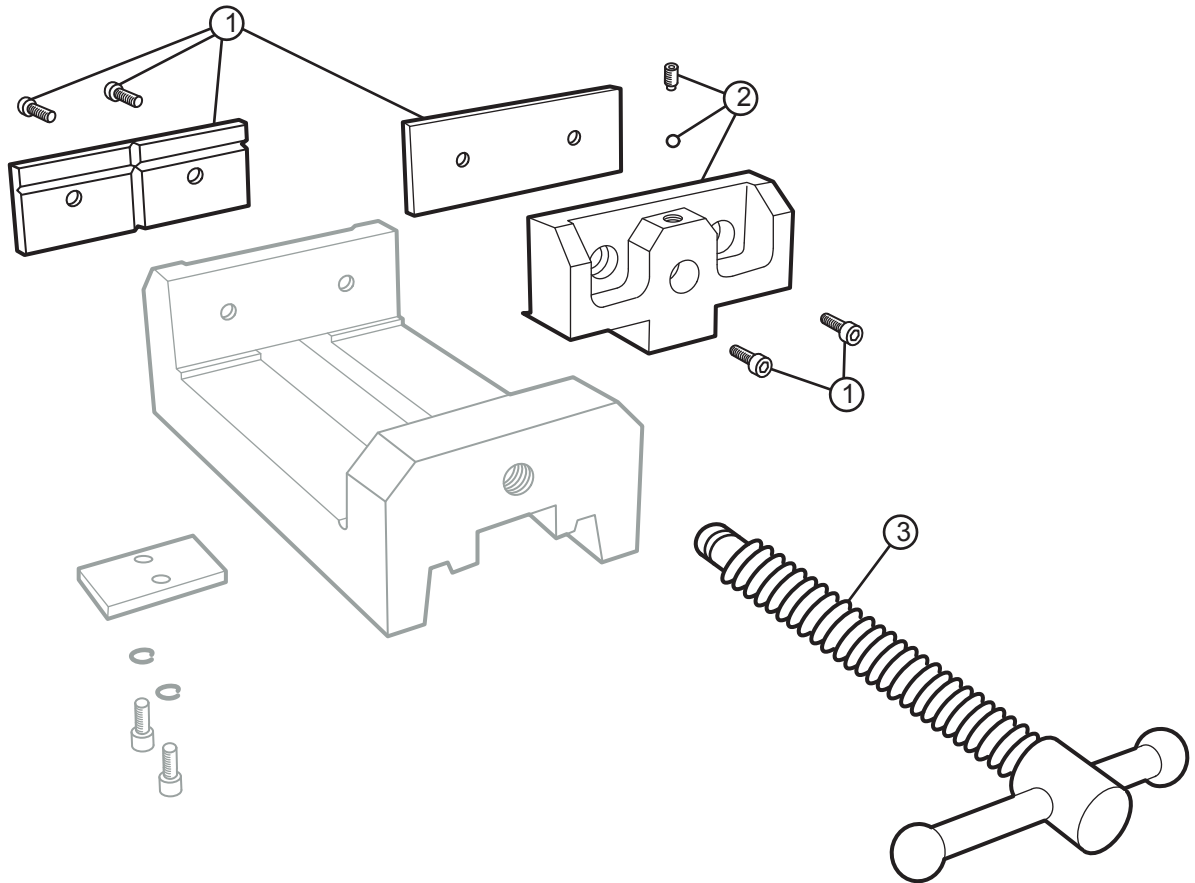




6" Industrial Drill Press Vise - Parts Diagram

6" Jaw Width, 6" Jaw Opening, 2" Jaw Depth

Stock #: 11676 Model #: DI66



#	Part	Description
1	11676-01	Jaw Insert Assembly (4 screws)
2	11676-02	Movable Jaw & Screw
3	11676-03	Spindle & Handle Assembly

WILTON

427 New Sanford Road
LaVergne, Tennessee 37086
Ph.: 800-274-6848
www.wilontools.com

Part No. M-11676

Revision B 08/2014

Copyright © 2014 WILTON, a Division of JPW Industries, Inc.