



Model: **3018**

Product Type:

DIGITAL TIRE INFLATOR

Foreseen Use of the Tool

Do not use the tool outside of the design intent.
Never modify the tool for any other purpose, or for its use.



Safety Precaution

Caution: To help prevent personal injury

- **Normal use of this product is likely to expose the user to dust and/or microscopic particles containing chemicals known to the State of California to cause cancer, birth defects or other reproductive harm. Always wear appropriate safety equipment and clothing when using this product. Study, understand and follow all instructions provided with this product.**
- **Always wear ANSI approved goggles when using this product.**
- **Always select the correct accessories of the correct size and design for the job that you are attempting to perform.**
- **Always work in a clean, safe, well-lit, organized and adequately equipped area.**
- **Do not begin repairs without assurance that vehicle is in secure position, and will not move during repair.**

Product Information

- Easy Change Chuck System
- 1 Button Operation
- Auto shut-off for increased battery life
- Displays KGF, BAR, PSI, KPA measurement
- Large face LCD digital read-out
- Unit covered with rubber sleeve for extra comfort and durability
- On Power Button, auto shut off in 90 seconds if not in use
- LCD Back Light
- Allows accurate reading of tire pressure, assisting with TPMS (Tire Pressure Monitoring Systems)
- Two position lever. 1st position deflates, 2nd position inflates
- Works on a nitrogen system
- With 21" Hose

FUNCTION KEY:

1. ON/UNIT/LIGHT: Press once to turn on. Press again to turn on backlight. When the unit is on, press for 3 seconds to switch units.

Specifications:

Measuring Range:	3 ~ 175psi
Units:	PSI / BAR / KPA / KGF
Resolution:	0.1 PSI
Accuracy:	Compliance with European Community Council Directive 86/217/EEC
	0 ~ 58 psi +/- 1.2 psi
	59 ~ 174 psi +/- 2.0 psi
	over 145psi, ±3.6psi
Working Temperature:	32°F~104°F (=0°C~ 40°C)
Power:	Lithium Batteries
Battery Lifetime:	140hr



Astro Pneumatic Tool Company

www.astrotools.com

1 YEAR LIMITED WARRANTY

- Astro Pneumatic Tool Co. warrants our products to the original user against defective material or workmanship for a period of 1 year (except where noted on our price schedule) from the date of 1st use. Astro reserves the right to determine whether the product failed because of defective material, workmanship or other causes and to charge back for missing parts. Astro Pneumatic Tool Co., at its discretion, will repair products covered under this warranty free of charge. The distributor should direct the original user to return the product (with the exceptions listed below) with the distributor's name, address, adequate proof of date of purchase or a copy of warranty card, and a short note explaining the problem. **Failures caused by accident, alteration, or misuse are not covered by this warranty.**
- **If one part of this product fails, please do not return the entire product. Astro will replace free of charge component parts of this product that fail within 1 year of first use by the original user. Items included in this category include but are not limited to kits, hand tool kits and any other product where there are multiple items or components that make up the unit. Please contact the phone number below in order to obtain the replacement components covered under warranty.**
- Astro Pneumatic Tool Co. or its authorized service representatives must perform all warranty repairs. Any repair to the product by unauthorized service representatives voids this warranty. The rights under this warranty are limited to the original user and may not be transferred to subsequent owners.
- This warranty is in lieu of all other warranties, expressed or implied, including warranties of merchantability and fitness for a particular purpose. Some states do not allow the exclusion of limitations of incidental or consequential damages so the above limitations may not apply to you.



PLEASE DO NOT RETURN ANY PRODUCT WITHOUT CALLING 1-800-221-9705 FOR INSTRUCTIONS



Unpacking

When unpacking, check the parts diagram and part number listing on page 3 to make sure all parts are included. If any parts are missing or damaged, please call your distributor.

IMPORTANT

Read these instructions carefully before installing, operating, servicing or repairing this tool. Keep these instructions in a safe accessible place.

DIGITAL TIRE INFLATOR



MADE IN CHINA



Model: **3018**

Product Type:

DIGITAL TIRE INFLATOR

Operating Instruction

1. Remove tire valve cap.
2. With clip-on air chuck lever depressed, firmly press chuck onto tire valve stem and release lever, and ensure that no air leaks.
3. Press the grip to inflate. Press the grip half-way to deflate.
4. To turn on the inflator, press the ON/UNIT/LIGHT button. If it does not work, the inflator will be turned off automatically 90 seconds later.
5. When the inflator is on, press the ON/UNIT/LIGHT button to turn on the backlight in order to read the pressure in dark. The backlight will diminish automatically in 5 seconds. Backlight will not be activated by turning on the inflator, can only be activated by pressing the ON/UNIT/LIGHT button.
6. To change unit, when the inflator is on, press ON/UNIT/LIGHT button for at least 3 seconds. Then, press ON/UNIT/LIGHT button shortly after to choose the desired unit. The unit chosen will be set as default for following usage.
7. The inflator's battery is CR2450, 2.4-3.6VDC, if the voltage is below 2.4V, the low battery signal on the top left of the LCD display will be flashing continuously to remind user to change the battery.
8. The measuring range is 0.2~12 bar (3~175psi). Reading Accuracy is 0.01 bar (0.1psi). Maximum inlet pressure is 15 bar (218psi).

Usage Notes:

- Inflator's working pressure is 0.2~12bar (3~175psi), Max Inlet Pressure is 15bar (218psi).
- If the pressure is between 7bar and 17 bar, the actual value will still be shown on the LCD, but the Maximum Permit table Error +/- 3psi is not guaranteed.
- Maximum Pressure is above 17bar, the LCD will show "----", no actual value, and the inflator may be damaged. Accuracy is as below according to European Community Council Directive 86/217/EEC
 - ±0.08bar (±1.2psi) up to and including 4bar (58psi)
 - ±0.16bar (±2.3psi) between 4BAR (58psi) and 10bar (145psi) inclusive
 - ±0.25bar (±3.6psi) between greater than 10bar (145psi)

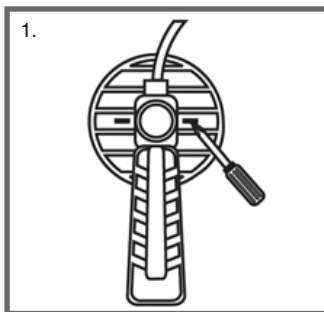


IMPORTANT

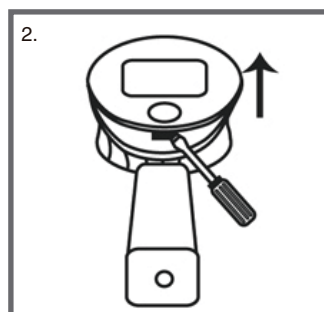


To avoid the risk of personal injury, especially to the eyes, face or skin,
DO NOT direct the stream at any person.

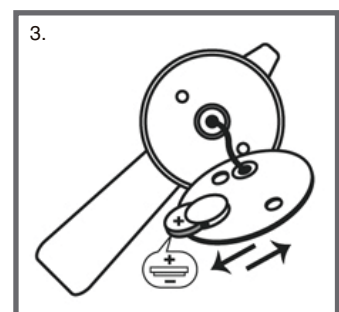
BATTERY INSTALLATION INSTRUCTION



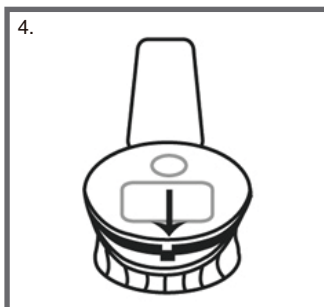
1. Unscrew with Phillips head screwdriver



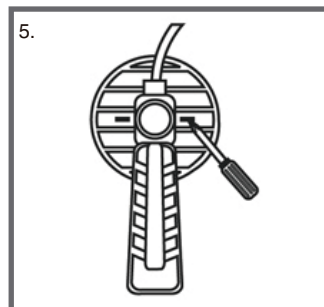
2. Open LCD panel with flat screwdriver



3. Install battery



4. Install the LCD panel



5. Tighten the screws



**Astro Pneumatic
Tool Company**

372 Old US Highway 52 South
Mount Airy, NC 27030

Model:

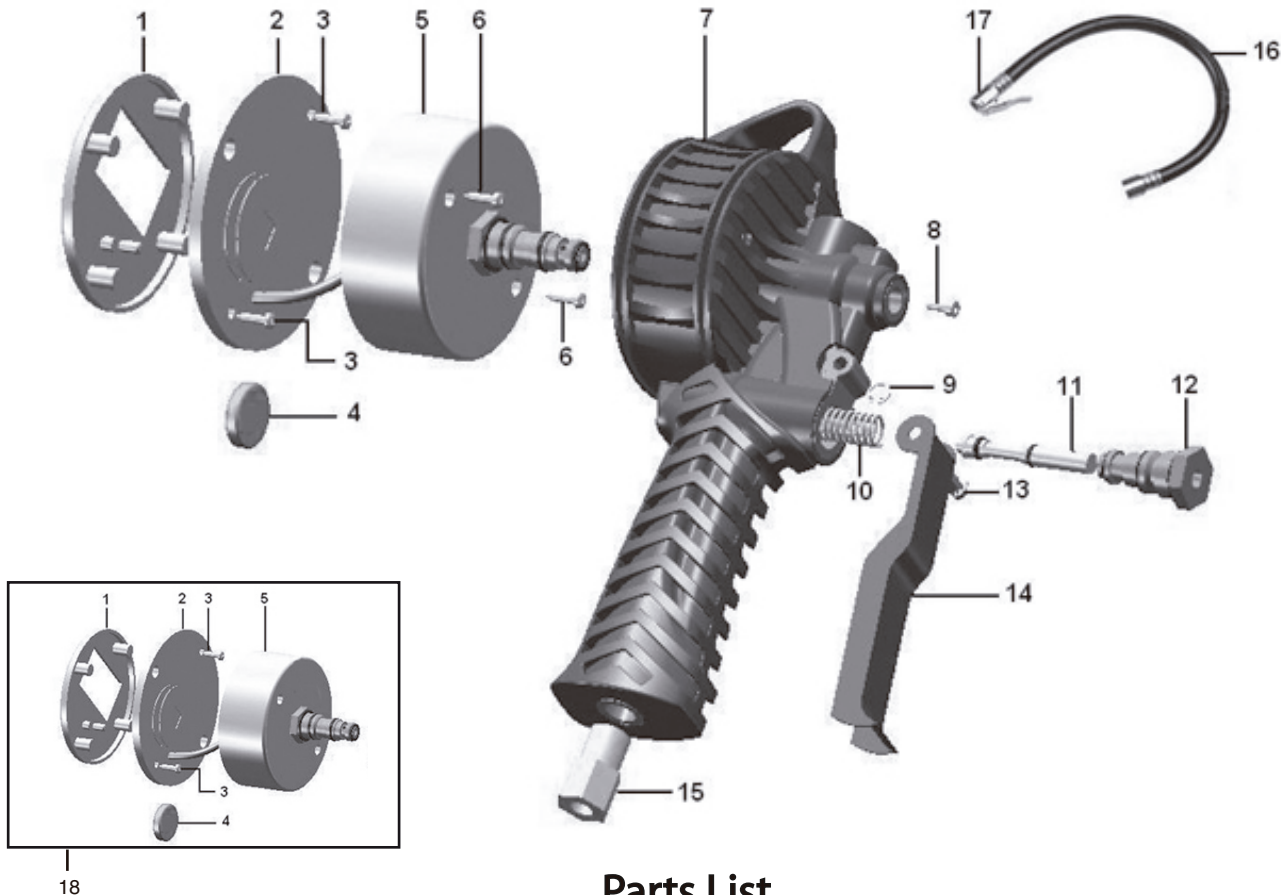
3018

Product Type:

DIGITAL TIRE INFLATOR

PARTS BREAKDOWN

Call 1.800.221.9705 for questions concerning performance of the product or other inquiries.



Parts List

Index No.	Part No.	Description	Qty
1	3018-01*	Front Cover	1
2	3018-02*	PCB Board Assembly	1
3	3018-03	Ø 2.6 x 6.0 Screw	2
4	3018-04	CR2450 Battery	1
5	3018-05*	Sensor Valve Assembly	1
6	3018-06	Ø 3.5 x 14 Screw	2
7	3018-07	Main Body	1
8	3018-08	Hex Screw Ø 3.5 x 8	1
9	3018-09	Circlip Ø 3.5	2
10	3018-10	Spring 0.85 x 7.0 / 8.0 x 18.5 x 7	1
11	3018-11	Valve Assembly	1
12	3018-12	Valve Base Assembly	1
13	3018-13	Lever Pin	1
14	3018-14	Lever	1
15	3018-15	Air Inlet	1
16	3018-16	Rubber Hose Assembly	1
17	3018-17	Air Chuck	1
18	3018-18	Digital Gauge Assembly	1

Items marked with an (*) are not sold individually