

DEVILBISS®

AUTOMOTIVE REFINISHING

EN

Service Bulletin
SB-2-855-B
Replaces SB-2-855-A

SRI Pro®

Technical Bulletin

SRI Pro range of Gravity Spray Guns
for spot repairs and small areas



Table of Contents

Topic	Page
EC Declaration of Conformity	3
Operational Description	3
Construction Features	4
Materials of Construction	4
Specifications & Technical Data	4
Safety Precautions.	5
Parts List.	6
Exploded Parts View	7
Installation, Operation, Preventive Maintenance & Cleaning, Spray Gun Lubrication . .	8
Parts Replacement/Maintenance	9-13
A. Servicing Air Valve	9
B. Replacing Air Valve	10
C. Needle Packing, Spreader Valve Assembly.	11
D. Replacing Separator Seal	12
E. Chart 1 – Air Caps, Chart 2 – Fluid Nozzles & Fluid Needles	13
Troubleshooting Possible Problems in Operation	14, 15
Accessories	16
Warranty.	16

EC Declaration of Conformity

We, Finishing Brands UK Ltd., Ringwood Rd, Bournemouth, Dorset, BH11 9LH, UK, as the manufacturer of the Spray gun model **SRi-PRO**, declare, under our sole responsibility, that the equipment to which this document relates is in conformity with the following standards or other normative documents:

BS EN 292-1 PARTS 1 & 2: 1991, BS EN 1953: 1999; and thereby conform to the protection requirements of Council Directive 98/37/EEC relating to Machinery Safety Directive, and;

EN 13463-1:2001, council Directive 94/9/EC relating to Equipment and Protective Systems intended for use in Potentially Explosive Atmospheres protection level II 2 G X. This product also complies with the requirements of the EPA guidelines, PG6/34.



D. Smith, Vice President
1st May 2012

Finishing Brands UK Ltd. reserve the right to modify equipment specification without prior notice.

Operational Description

This SRi PRO Spray Gun is a professional quality gun designed with both high volume, low pressure (HVLP) technology or Trans-Tech® technology. HVLP Technology reduces overspray and limits air cap pressure to 0.7 bar (10 psi) (complies with rules issued by SCAQMD and other air quality authorities). Trans-Tech technology, when tested under recommended conditions with automotive refinishing materials, has been found to exceed 65% transfer efficiency.

IMPORTANT: These Sprayguns are suitable for use with both waterbased and solvent based coating materials. These guns are not designed for use with highly corrosive and/or abrasive materials and if used with such materials it must be expected that the need for cleaning and/or replacement of parts will be increased. If there is any doubt regarding the suitability of a specific material, contact your DeVilbiss Distributor or DeVilbiss direct.

NOTE: This gun is not to be used with halogenated hydrocarbon solvents or cleaning agents such as 1,1,1-Trichloroethane or methylene chloride. These solvents can react with the aluminium components used in this gun and cup. The reaction can become violent and lead to an equipment explosion.

CONSTRUCTION FEATURES

1	Air Cap (nickel plated brass for long durability)	10	Fan Air Adjustment (stepless regulation for fan to round spray)
2	Air Cap Retaining Ring (allows easy rotation of air cap)	11	Fluid Adjustment (stepless regulation of fluid volume)
3	Fluid Nozzle (ideal for automotive topcoat systems)	12	Interchangeable Color ID System (4 colored rings supplied)
4	Fluid Needle (grooved stem for easy removal)	13	Anodized, forged aluminium gun body (ergonomic, good looking & durable, easy to clean)
5	Fluid Inlet (7/16" – 14 UNC thread) – accepts DeVilbiss SRI cup systems	14	125cc Acetal Cup (easy clean, anti-static)
6	Air Inlet (universal thread, accepts G 1/4 & 1/4 NPS)	15	Cup Lid with Drip Free Vent (avoid drips)
7	Self Adjusting Needle Packing (for trouble free operation)	16	Air Valve (design offers low pull force & low pressure drop)
8	Trigger (ergonomic for comfort)	17	Gun acceptable for waterborne and solvent borne applications
9	Trigger Stud & Screw (easy replacement design)	18	Gun can be used with DeVilbiss disposable cups

MATERIALS OF CONSTRUCTION

Gun Body	Anodized aluminium
Air Cap	Nickel plated brass
Fluid Nozzle, Fluid Needle, Fluid Inlet, Trigger Stud	Stainless steel (303)
Springs, Clips, Screws	Stainless steel (303)
Seals, Gaskets	Solvent resistant
Trigger	Chrome plated steel
Air Inlet, Body Bushing, Spreader Valve Body, Air Valve Nut, Air Cap Retaining Ring, Knobs	Chrome plated brass
Air Valve Assembly	Stainless steel (303), HPDE

SPECIFICATIONS & TECHNICAL DATA

Air Supply Connection	Universal 1/4" BSP and 1/4" NPS male
Maximum Static Air Inlet Pressure	P1 = 175 psi (12 bar)
Nominal Gun Air Inlet Pressure for HVLP (HS1) and Trans-Tech® (TS1) with gun triggered	29 psi (2.0 bar)
Fluid Supply Connection	7/16 – 14 UNC
Service Temperature	32 to 104°F (0 to 40°C)
Gun Weight (gun only) (with cup)	15.0 oz (425 g) 17.1 oz (485 g)

SAFETY PRECAUTIONS

This manual contains information that is important for you to know and understand. This information relates to USER SAFETY and PREVENTING EQUIPMENT PROBLEMS. To help you recognize this information, we use the following symbols. Please pay particular attention to these sections.

WARNING

Important safety information – A hazard that may cause serious injury or loss of life.

CAUTION





Important information that tells how to prevent damage to equipment, or how to avoid a situation that may cause minor injury.

NOTE

Information that you should pay special attention to.

WARNING

**The following hazards may occur during the normal use of this equipment.
Please read the following chart before using this equipment.**

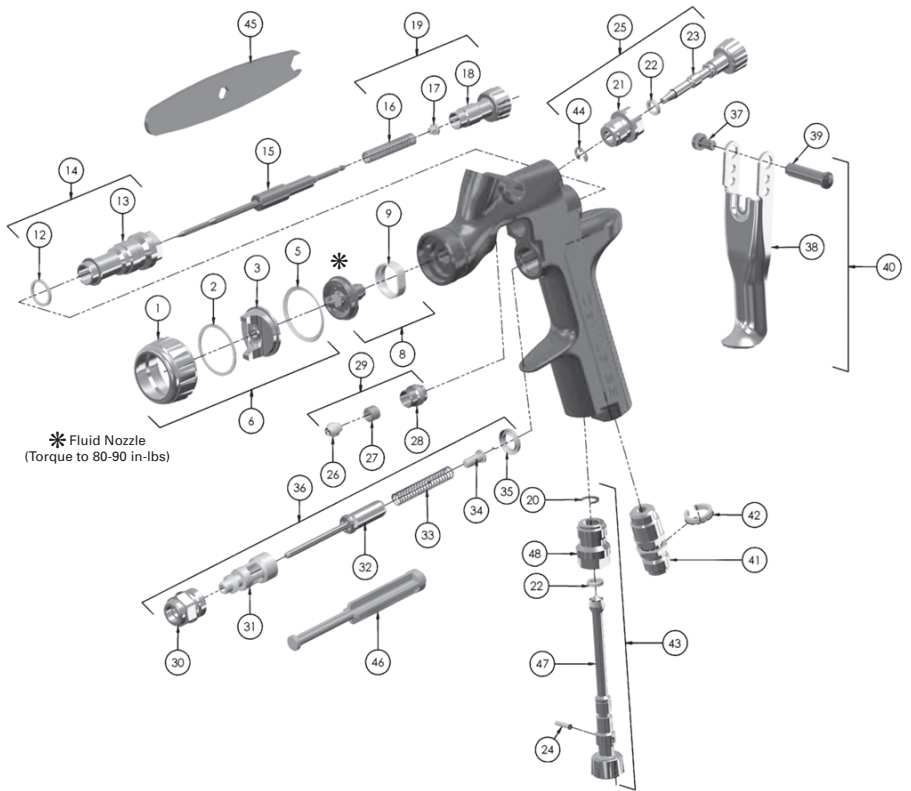
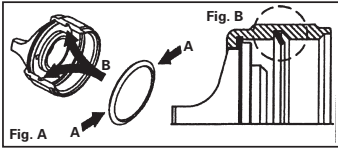
HAZARD	CAUSE	SAFEGUARDS
Fire 	Solvent and coatings can be highly flammable or combustible especially when sprayed.	<p>Adequate exhaust must be provided to keep air free of accumulations of flammable vapors.</p> <p>Smoking must never be allowed in the spray area.</p> <p>Fire extinguishing equipment must be present in the spray area.</p>
Solvent Spray 	During use and while cleaning and flushing, solvents can be forcefully expelled from fluid and air passages. Some solvents can cause eye injury.	Wear eye protection.
Inhaling Toxic Substances 	Certain materials may be harmful if inhaled, or if there is contact with the skin.	<p>Follow the requirements of the Material Safety Data Sheet supplied by your coating material manufacturer.</p> <p>Adequate exhaust must be provided to keep the air free of accumulations of toxic materials.</p> <p>Use a mask or respirator whenever there is a chance of inhaling sprayed materials. The mask must be compatible with the material being sprayed and its concentration. Equipment must be as prescribed by an industrial hygienist or safety expert, and be NIOSH approved.</p>
Explosion Hazard - Incompatible Materials 	Halogenated hydrocarbon solvents - for example; methylene chloride and 1,1,1, - Trichloroethane are not chemically compatible with the aluminum that might be used in many system components. The chemical reaction caused by these solvents reacting with aluminum can become violent and lead to an equipment explosion.	Guns with stainless steel internal passageways may be used with these solvents. However, aluminum is widely used in other spray application equipment - such as material pumps, regulators, valves, and this gun and cup. Check all equipment items before use and make sure they can also be used safely with these solvents. Read the label or data sheet for the material you intend to spray. If in doubt as to whether or not a coating or cleaning material is compatible, contact your material supplier.
General Safety	Improper operation or maintenance of equipment.	Operators should be given adequate training in the safe use and maintenance of the equipment (in accordance with the requirements of NFPA-33, Chapter 15). Users must comply with all local and national codes of practice and insurance company requirements governing ventilation, fire precautions, operation, maintenance, and housekeeping. These are OSHA Sections 1910.94 and 1910.107 and NFPA-33.
Cumulative Trauma Disorders ("CTD's") CTD's, or musculoskeletal disorders, involve damage to the hands, wrists, elbows, shoulders, neck, and back. Carpal tunnel syndrome and tendonitis (such as tennis elbow or rotator cuff syndrome) are examples of CTD's.	<p>Use of hand tools may cause cumulative trauma disorders ("CTD's").</p> <p>CTD's, when using hand tools, tend to affect the upper extremities. Factors which may increase the risk of developing a CTD include:</p> <ol style="list-style-type: none"> 1. High frequency of the activity. 2. Excessive force, such as gripping, pinching, or pressing with the hands and fingers. 3. Extreme or awkward finger, wrist, or arm positions. 4. Excessive duration of the activity. 5. Tool vibration. 6. Repeated pressure on a body part. 7. Working in cold temperatures. <p>CTD's can also be caused by such activities as sewing, golf, tennis, and bowling, to name a few.</p>	<p>Pain, tingling, or numbness in the shoulder, forearm, wrist, hands, or fingers, especially during the night, may be early symptoms of a CTD. Do not ignore them. Should you experience any such symptoms, see a physician immediately. Other early symptoms may include vague discomfort in the hand, loss of manual dexterity, and nonspecific pain in the arm. Ignoring early symptoms and continued repetitive use of the arm, wrist, and hand can lead to serious disability. Risk is reduced by avoiding or lessening factors 1-7.</p>

PARTS LIST

REF. NO.	DESCRIPTION	PART NO.	QTY.
1	Air Cap Retaining Ring		1
2	Slip Ring		1
3	Air Cap		1
5	Retaining Ring Seal	SRI-35-K5	1
6	Air Cap & Ring	See chart 1, p13	1
8	Fluid Nozzle	See chart 2, p13	1
9	Separator	SRIPRO-2-K5	1
12*	Body Bushing Seal		1
13	Body Bushing		1
14	Body Bushing & Seal	702728	1
15	Fluid Needle	See chart 2, p13	1
16*	Needle Spring		1
17*	Needle Spring Pad		1
18	Fluid Adjusting Knob		1
19	Fluid Adjusting Knob, Spring & Pad Kit	PRO-3-K	1
20*	Retaining Clip		1
21	Spreader Valve Body		1
22*	Spreader Valve Seal		2
23	Spreader Valve Adjusting Knob		1
24*	Valve Pin		1
25	Spreader Valve Assembly	SRIPRO-401-K	1
26*	Needle Packing		1
27*	Packing Spring		1
28	Packing Nut		1
29	Packing, Spring & Packing Nut Kit	702731	1
30	Air Valve Body		1
31	Air Valve Cage		1

REF. NO.	DESCRIPTION	PART NO.	QTY.
32	Air Valve Poppet		1
33	Air Valve Spring		1
34	Air Valve Spring Pad		1
35	Air Valve Seal	SN-34-K5	1
36	Air Valve Assembly	702732	1
37*	Trigger Stud Screw (T20 Star)		1
38	Trigger		1
39*	Trigger Stud		1
40	Trigger, Stud & Screw Kit	SN-42-K	1
41	Air Inlet	SN-40-K	1
42	Color ID Ring Kit (4 colors)	702735	1
43	Airflow Valve	PRO-404-K	1
44	Circlip		1
45	Wrench (kit of 2)	SRI-50-K2	1
46	Air Valve Service Tool (included in 702732)		1
47	Air Flow Valve Knob		1
SERVICE PARTS			
	Spray Gun Repair Kit (includes items marked *)	702736	
	Seal & Pin Kit, kit of 5 (items 20, 22 and 24)	GTI-428-K5	
For accessories, see page 16			

Views showing correct
Air Cap/Retaining Ring assembly.



INSTALLATION

For maximum transfer efficiency, do not use more pressure than is necessary to atomize the material being applied. **NOTE: when using the HS1, HVLP setup do not exceed 29.0 psi (2 bar) inlet pressure. This will insure HVLP compliance by limiting air cap pressure to 10 psi (0.7 bar).**

1. Connect the gun to a clean, moisture and oil free air supply using a conductive hose.

NOTE

Install an air gauge at the gun handle. When gun is triggered on, adjust regulated pressure to 29.0 psi (2.0 bar). Do not use more pressure than is necessary to atomize the material being applied. Excess pressure will create additional overspray and reduce transfer efficiency.

NOTE

If an air adjusting valve is used at the gun inlet, use DeVilbiss model HAV-512. Some competitive adjusting valves have significant pressure drop that can adversely affect spray performance. The DeVilbiss model HAV-512 has minimal pressure drop, which is important for HVLP spraying.

2. Attach the gravity feed cup to the material inlet.

NOTE

Before using the gun, flush it with solvent to ensure that the fluid passages are clean.

OPERATION

1. Mix coating material to manufacturer's instructions.
2. Strain the material.
3. Fill the cup to no more than 1/2 inch from the top of the cup. **DO NOT OVERFILL.**

4. Attach Cup Lid. Make sure that the cup lid vent hole is clear.
5. Turn fluid adjusting knob (18) clockwise to prevent fluid needle movement.
6. Turn spreader valve adjusting knob (23) counter clockwise to fully open.
7. Adjust inlet air pressure to 29.0 psi (2.0 bar).
8. Turn fluid adjusting knob counter clockwise until first thread shows.
9. Test spray. If the finish is too dry, reduce airflow by reducing air inlet pressure.
10. If finish is too wet, reduce fluid flow by turning fluid adjusting knob (18) clockwise. If atomization is too coarse, increase inlet air pressure. If too fine, reduce inlet pressure.
11. The pattern size can be reduced by turning spreader valve knob (23) clockwise.
12. Hold gun perpendicular to surface being sprayed. Arcing or tilting may result in uneven coating.
13. The recommended spray distance is 3-6 in (75-150 mm).
14. Spray edges first. Overlap each stroke a minimum of 75%. Move gun at a constant speed.
15. Always turn off air supply and relieve pressure when gun is not in use.

PREVENTIVE MAINTENANCE & CLEANING

To clean air cap and fluid nozzle, brush exterior with a stiff bristle brush. If necessary to clean cap holes, use a broom straw or toothpick if possible. If a wire or hard instrument is used, extreme care must be used to prevent scratching or burring of the holes which will cause a distorted spray pattern.

To clean fluid passages, remove excess material from cup, then flush with gun wash solution. Wipe the gun exterior with a dampened cloth. Never completely immerse in any solvent or cleaning solutions as this is detrimental to the lubricants and life of the spray gun.

NOTE

When replacing the fluid nozzle or fluid needle, replace both at the same time. Using worn parts can cause fluid leakage. See page 13, Chart 2. Also, replace the needle packing at this time. Torque the fluid nozzle to 80-90 in-lbs (9-10 Nm). Do not over tighten.

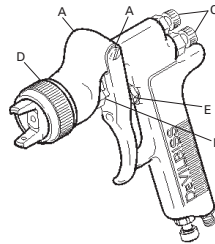
CAUTION

To prevent damage to fluid nozzle (8) or fluid needle (15), be sure to either 1) pull the trigger and hold while tightening or loosening the fluid nozzle, or 2) remove fluid adjusting knob (18) to relieve spring pressure against needle collar.

SPRAY GUN LUBRICATION

Daily, apply a drop of SSL-10 spray gun lube at trigger bearing stud (39) and the stem of the air valve (32). The shank of the fluid needle (15) where it enters the packing nut (28) should also be oiled. Make sure the retaining ring (1) threads are clean and free of foreign matter. Before assembling retaining ring to spray gun, clean the threads thoroughly, then add two drops of SSL-10 spray gun lube to threads. The fluid needle spring (16) should be coated with a very light grease. For best results, lubricate the points indicated, daily.

- A. Trigger Points
- B. Packing
- C. Adjusting Valves
- D. Gun/Air Cap Threads
- E. Air Valve Cartridge



PARTS REPLACEMENT/MAINTENANCE

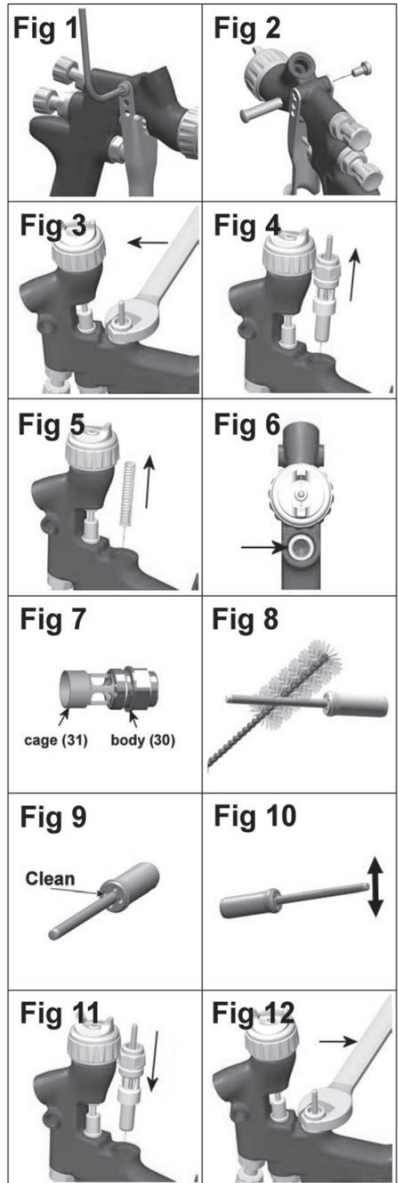
AIR VALVE INSTRUCTIONS

Servicing Air Valve

Reasons to service air valve:

- A) Air valve not functioning correctly (may need cleaning).
- B) Routine maintenance.
- C) Air leaks (advise replacement, see p10)

1. Remove trigger using a Star T20 key. (See fig 1 & 2)
2. Unscrew air valve using a (14 mm wrench. (See fig 3)
3. Remove air valve by gripping stem. (See fig 4)
4. Remove spring with spring pad. (See fig 5)
5. DO NOT REMOVE REAR SEAL (35) FROM GUN BODY. (See fig 6)
6. DO NOT REMOVE PLASTIC CAGE FROM AIR VALVE BODY AS THIS MAY DAMAGE THE CAGE. (See fig 7)
7. CLEAN
 - a. Remove all paint build up. (See fig 8)
 - b. The 4 poppet holes must be clear. (See fig 9)
 - c. Stem must be free to float in poppet. (See fig 10)
 - d. Stem must slide through cage bore with slight resistance (due to seal).
 - e. Rear seal must look clean and in position in the bore. (See fig 6)
 - f. If any of the above cannot be rectified, replace the air valve. (See Replacing Air Valve, p10)
8. Replace spring ensuring the end with the plastic bearing pad goes in first. (See fig 5)
9. Insert air valve assembly into gun and carefully feed over the spring and through the rear seal. (See fig 11)
10. Tighten air valve assembly using fingers first, and then tighten with a 14mm wrench. (See fig 12)
11. Replace trigger. (See figs 2 & 1)
12. If there is an air leak through the gun, the air valve may need replacing. (See Replacing Air Valve)



PARTS REPLACEMENT/MAINTENANCE

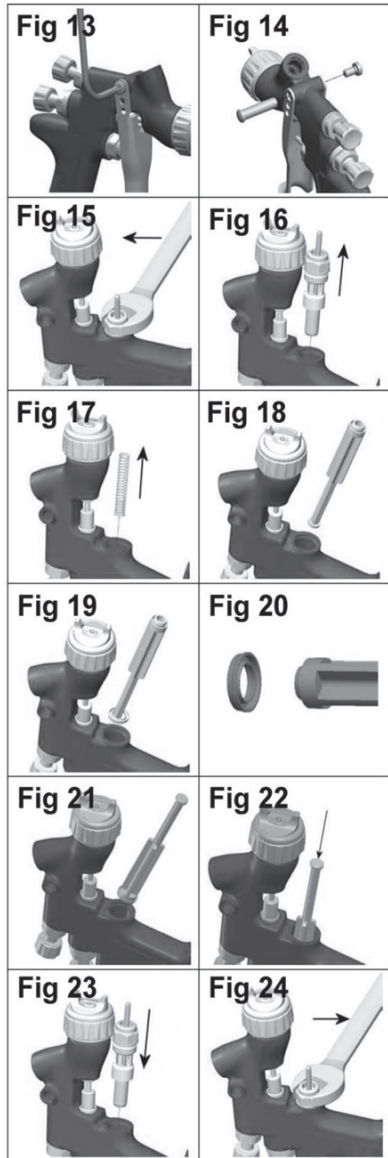
AIR VALVE INSTRUCTIONS

Replacing Air Valve

Reasons to replace air valve:

- A) Air leak through the gun.*
- B) Air valve not operating correctly.*

1. Remove trigger using a Star (T20) key. (See figs 13 & 14)
2. Unscrew air valve using a 14 mm wrench. (See fig 15)
3. Remove air valve by gripping the stem. (See fig 16)
4. Remove spring with spring pad. (See fig 17)
5. Hook out rear seal using Service Tool (46). (See figs 18 & 19)
6. Clean air valve bores in gun body with a brush.
7. Place new rear seal onto Service tool (46); grooves must fit in service tool form. (See fig 20)
8. Push rear seal firmly into hole up to shoulder, using Service tool. (See figs 21 & 22)
9. Insert new spring, ensuring the end with the plastic bearing pad goes in first. (See fig 17)
10. Insert air valve assembly into gun and carefully feed over the spring and through the rear seal. (See fig 23)
11. Tighten air valve assembly using fingers first, then tighten with a 14 mm wrench. (See fig 24)
12. Replace trigger. (See figs 14 & 13)

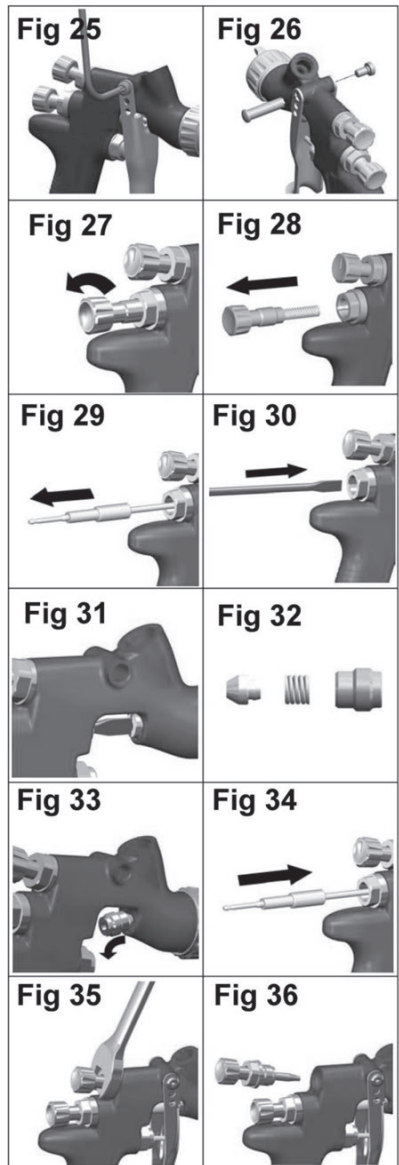


PARTS REPLACEMENT/MAINTENANCE**NEEDLE PACKING INSTRUCTIONS****Replacing Needle Packing**

13. Remove trigger using a Star (T20) key. (See figs 25 & 26)
14. Remove fluid adjusting knob and needle spring with spring pad from gun. (See figs 27 & 28)
15. Remove fluid needle from gun body. (See fig 29)
16. Loosen and remove packing nut using a straight blade screwdriver. (See figs 30 & 31)
17. Discard old packing and packing spring if replacing. Clean packing if reusing. Also clean packing spring and nut. (See fig 32)
18. Re-assemble the packing, (See fig 32). Assemble into gunbody by hand (see fig 33) and then tighten. (See figs 30 and 31)
19. Insert fluid needle all the way into gun body seating in fluid nozzle. (See fig 34)
20. Insert needle spring, spring pad, and fluid adjusting knob. (See figs 28 & 27). Reinstall trigger. (See figs 25 & 26)
21. Trigger gun fully and screw in fluid adjusting knob until it stops. Back it off 1/2 turn and gun will have full needle travel.
22. Trigger gun several times to verify correct operation.

SPREADER VALVE ASSEMBLY REPLACEMENT/MAINTENANCE

The spreader valve assembly can be replaced if damaged. Remove using a 14 mm wrench (See figs 35 & 36). The internal seal can be replaced and is included in the PRO Gun Rebuild Kit.

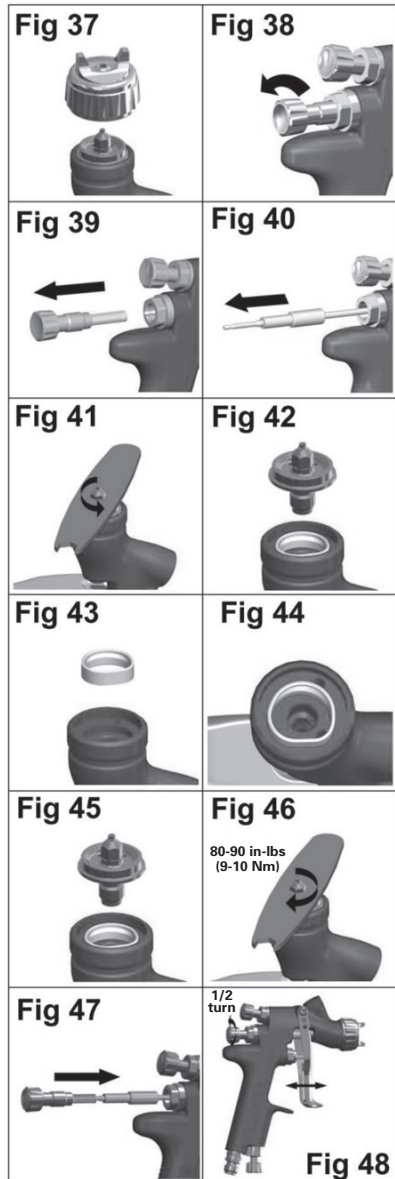


PARTS REPLACEMENT/MAINTENANCE

SEPARATOR SEAL INSTRUCTIONS

Replacing Separator Seal

1. Remove air cap and retaining ring. (See fig 37)
2. Remove fluid adjusting knob, spring, and spring pad. (See figs 38 & 39)
3. Remove fluid needle from gun body. (See fig 40)
4. Remove fluid nozzle using SRI-50 (6 mm) wrench. (See figs 41, & 42)
5. Remove Separator. (See fig 43)
6. Clean front of gun if required, using a soft brush, as well as the fluid nozzle, air cap, and retaining ring.
7. Place a new Separator Seal into the front of the gun, making sure the flat side of the seal is aligned with the flat in the gun. (See fig 44).
8. Fit Fluid Nozzle, Air Cap, and Retaining Ring. Torque the Fluid Nozzle to 80-90 in-lbs (9-10 Nm). Don't over torque the Fluid Nozzle. (See figs 45, 46, and 37)
9. Insert Fluid Needle all the way into the Gun Body, seating in the Fluid Nozzle. (See fig 47)
10. Reassemble Needle Spring, Spring Pad, and Fluid adjusting Knob. (See fig 47)
11. Trigger gun fully and screw in Fluid Adjusting Knob until it stops. Back it off 1/2 turn and gun will have full needle travel. (See fig 48)
12. Trigger gun several times to verify correct operation. (See fig 48)



PARTS REPLACEMENT/MAINTENANCE**CHART 1 – AIR CAPS**

AIR CAP & RING		TECHNOLOGY	MARKING ON AIR CAP	RECOMMENDED INLET PRESSURE	AIR FLOW	
COMPUTER NO.	PART NO.				(L/min)	(CFM)
803296	SRIPRO-101-HS1	HVLP	HS1	29.0 psi (2.0 bar)	135	4.8
803297	SRIPRO-100-TS1	TRANS-TECH®	TS1	29.0 psi (2.0 bar)	100	3.5

NOTE: When removing air cap from retaining ring, don't remove the Slip Ring (2) or Retaining Ring Seal (5) from the Retaining Ring. Damage to the parts may occur. Slip ring and Retaining Ring seal are not available as replacements. Simply wipe parts clean and reassemble with new or clean air cap.

CHART 2 – FLUID NOZZLE RANGE & FLUID NEEDLE

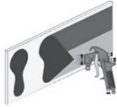

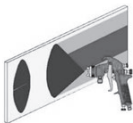
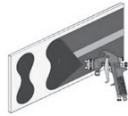
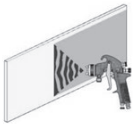
FLUID NOZZLE		FLUID NEEDLE	
COMPUTER NO.	PART NO.	COMPUTER NO.	PART NO.
803298*	SRIPRO-200-08-K*	803302	SRIPRO-300-0810-K
803299*	SRIPRO-200-10-K*		
803300*	SRIPRO-200-12-K*	803303	SRIPRO-300-1214-K

*Includes (1) SRIPRO-2 separator

NOTE: When replacing the fluid nozzle or fluid needle, replace both at the same time. Torque to 80-90 in-lbs (9-10 Nm). Don't over tighten the fluid nozzle. Use SRI-50 (6mm) wrench supplied with the gun and check with a torque wrench.

IMPORTANT NOTE: The SRI PRO and old SRI fluid nozzles and aircaps ARE NOT INTERCHANGEABLE between the 2 models. Any attempt to fit fluid nozzles or caps onto the wrong Spray Gun may cause damage to the parts or the Spraygun body and invalidate the warranty.

TROUBLESHOOTING POSSIBLE PROBLEMS IN OPERATION

CONDITION	CAUSE	CORRECTION
<p>Heavy top or bottom pattern</p>  <p>Heavy right or left side pattern</p> 	<p>Horn holes plugged.</p> <p>Obstruction on top or bottom of fluid nozzle.</p> <p>Cap and/or nozzle seat dirty.</p> <p>Left or right side horn holes plugged.</p> <p>Dirt on left or right side of fluid nozzle.</p>	<p>Clean. Ream with non-metallic point.</p> <p>Clean.</p> <p>Clean.</p> <p>Clean. Ream with non-metallic point.</p> <p>Clean.</p>
<p>Remedies for the top-heavy, bottom-heavy, right-heavy, and left-heavy patterns:</p> <p>1. Determine if the obstruction is on the air cap or the fluid nozzle. Do this by making a test spray pattern. Then, rotate the cap one-half turn and spray another pattern. If the defect is inverted, obstruction is on the air cap. Clean the air cap as previously instructed. Also check for dried paint just inside the cap center hole opening; remove by washing with solvent.</p> <p>2. If the defect is not inverted, it is on the fluid nozzle. Clean nozzle. If problem persists, renew nozzle.</p>		
<p>Heavy centre pattern.</p> 	<p>Spreader adjustment valve set too low.</p> <p>Atomizing pressure too low.</p> <p>Material too thick.</p>	<p>Turn out counter clockwise to achieve correct pattern.</p> <p>Increase pressure.</p> <p>Thin to correct consistency.</p>
<p>Split spray pattern</p> 	<p>Air pressure too high.</p> <p>Fluid adjusting knob turned in too far.</p> <p>Spreader adjusting valve set too high.</p>	<p>Reduce at regulator or gun handle.</p> <p>Turn out counter clockwise to achieve correct pattern.</p> <p>Turn in clockwise to achieve correct pattern.</p>
<p>Jerky or fluttering spray</p> 	<p>Loose or damaged fluid nozzle/seat</p> <p>Loose or broken cup fluid nipple</p> <p>Material level too low</p> <p>Container tipped too far</p> <p>Obstruction in fluid passage</p> <p>Loose fluid needle packing nut</p> <p>Damaged fluid needle packing</p>	<p>Tighten or replace</p> <p>Tighten or replace cup</p> <p>Refill</p> <p>Hold more upright</p> <p>Back flush with solvent</p> <p>Tighten</p> <p>Replace</p>
<p>Paint bubbles in cup</p>	<p>Fluid nozzle not tight.</p>	<p>Fluid nozzle not tight. Tighten to 9-10 Nm (80-90 in-lbs).</p>

TROUBLESHOOTING POSSIBLE PROBLEMS IN OPERATION (CONTINUED)

Fluid leaking or dripping from cup lid	Cup lid loose.	Push in or replace.
	Dirty cup or lid.	Clean.
	Cracked cup or lid.	Replace cup and lid.
Starved spray pattern	Inadequate material flow	Wind fluid adjusting knob out or change to larger fluid nozzle size.
	Blocked vent in Cup lid	Clean lid and unblock vent.
	Low atomization air pressure	Increase air pressure and rebalance gun.
Excessive overspray	Air pressure too high.	Reduce air pressure.
	Gun too far from work surface.	Adjust to correct distance.
Dry spray	Air pressure too high.	Reduce air pressure.
	Gun too far from work surface.	Adjust to correct distance.
	Gun motion too fast.	Slow down.
	Fluid flow too low.	Wind out needle adjusting screw or use larger nozzle size.
Fluid leaking from packing nut	Packing worn.	Replace.
Fluid leaking or dripping from front of gun	Fluid nozzle or fluid needle worn or damaged.	Replace fluid nozzle and fluid needle.
	Foreign matter in fluid nozzle.	Clean.
	Fluid needle dirty or stuck in needle packing Wrong size fluid needle or fluid nozzle.	Clean. Replace fluid nozzle and fluid needle.
Fluid dripping or leaking from bottom of cup	Cup loose on gun.	Tighten.
	Cup fluid inlet seat dirty.	Clean.
Runs and sags	Too much material flow.	Turn fluid adjusting knob clockwise or switch to smaller fluid nozzle and fluid needle size.
	Material too thin.	Mix correctly or apply light coats.
	Gun tilted on an angle, or gun motion too slow.	Hold gun at right angle to work and adapt to correct gun technique.

ACCESSORIES

**Automotive Quick Connects
For HVLP Guns (Air) – High Flow Type**

HC-4419 Stem
1/4" NPT(F)

HC-4719 Coupler
1/4" NPT(M) /NPS(M)

HC-1166 Stem
1/4" NPT(M)

HC-4720 Coupler
1/4" NPT(F)

**HAV-500 OR HAV-512
Adjusting Valve
(HAV-512 SHOWN)**

HAV-500 does not have pressure gauge. Use to control air usage at gun.

**81-381
8 oz. Gravity Feed Cup
Assembly**

**40-128
Twin Cartridge,
Paint Spray Respirator**

NIOSH - Certified (TC84A-1623) for respiratory protection in atmospheres not immediately dangerous to life.

**HAF-507 Whirlwind™
In-Line Air Filter**

Removes water, oil, and debris from the air line.

**Spray Gun
Lube
SSL-10
(2 oz. bottle)**

Compatible with all paint materials; contains no silicone or petroleum distillates to contaminate paint. MSDS available upon request.

**192218 Scrubs®
Hand Cleaner Towels**

Scrubs® are a premoistened hand cleaner towel for painters, body men and mechanics that go where you go and no water is needed.

**192219
Gun Holder**

Gun holder made to hold guns with gravity cups.

**KK-5060 Air Cap
Cleaning Kit**

Consists of: 2 brushes, 1 wire pick. Helps keep air cap clean and performing properly.

**192212 Professional
Spray Gun
Cleaning Kit**

Contains six precision tools designed to effectively clean all DeVilbiss, Binks, Finishline and other brand spray guns.

**SRI-478-K12
Disposable Cup
Kit of 12**

**702740
Wrench**

WARRANTY

This product is covered by DeVilbiss' 1 Year Limited Warranty.

DeVilbiss Worldwide Sales and Service Listing: www.devilbiss.com

DeVilbiss Automotive Refinishing

DeVilbiss has authorized distributors throughout the world. For equipment, parts and service, check the Yellow Pages under "Automotive Body Shop Equipment and Supplies." For technical assistance, see listing below.

U.S./Canada Customer Service Office:

11360 S. Airfield Road, Swanton, OH 43558
Toll-Free Telephone: 1-800-445-3988 (U.S.A. and Canada only)
Toll-Free Fax: 1-800-445-6643



DEVILBISS®

AUTOMOTIVE REFINISHING

SP

Boletín de servicio
SB-2-855-B
Reemplaza al SB-2-855-A

SRI Pro®

Boletín técnico

Pistolas rociadoras con rango de gravedad SRi Pro
para reparación de manchas y áreas pequeñas



Índice de materias

Tema	Página
Declaración de conformidad de CE	3
Descripción operativa	3
Características de construcción	4
Materiales de construcción.	4
Especificaciones y datos técnicos	4
Precauciones de seguridad.	5
Lista de piezas	6
Diagrama de los componentes.	7
Instalación, operación, mantenimiento preventivo y limpieza, lubricación de la pistola rociadora	8
Reemplazo/mantenimiento de piezas	9-13
A. Mantenimiento/servicio de la válvula de aire.	9
B. Cómo reemplazar la válvula de aire	10
C. Empaquetadura de la aguja, conjunto de la válvula dispersora	11
D. Cómo reemplazar el sello del separador.	12
E. Tabla 1 – Casquillos de aire, Tabla 2 – Boquillas de fluido y agujas de fluido.	13
Localización y solución de posibles problemas durante la operación	14, 15
Accesorios	16
Garantía	16

Declaración de conformidad de CE

Nosotros, Finishing Brands UK Ltd., Ringwood Rd, Bournemouth, Dorset, BH11 9LH, UK, como los fabricantes de la pistola rociadora, modelo **SRI-PRO**, declaramos, bajo nuestra sola responsabilidad, que el equipo con el cual se relaciona este documento cumple con las siguientes normas u otros documentos normativos:

BS EN 292-1 PARTES 1 & 2: 1991, BS EN 1953: 1999; y por consiguiente satisface los requisitos de protección de la Directiva 98/37/CEE del Consejo relacionada con la Directiva de Seguridad de Maquinarias, y;

EN 13463-1:2001, Directiva 94/9/CE del Consejo relacionada con Equipos y Sistemas de Protección para ser usados en el nivel de protección II 2 G X para Atmósferas Potencialmente Explosivas. Este producto también cumple con los requisitos de las directrices de la Agencia de Protección Ambiental (EPA, por sus siglas en inglés), PG6/34.



D. Smith, Vicepresidente
1 de mayo de 2012

Finishing Brands UK Ltd. se reserva el derecho de modificar la especificación del equipo sin previo aviso.

Descripción operativa

Esta pistola rociadora SRI PRO es una pistola de calidad profesional diseñada con tecnología tanto de alto volumen como de baja presión (HVLP, por sus siglas en inglés) o tecnología Trans-Tech®. La tecnología de HVLP reduce el rociado excesivo y limita la presión del casquillo de aire a 0.7 bar (10 psi) (cumple con las normas emitidas por SCAQMD y otras autoridades reguladoras de la presión del aire). Se ha demostrado que la tecnología Trans-Tech, al ser sometida a prueba bajo condiciones recomendadas con materiales de repintado de vehículos automotores, sobrepasa en un 65% la eficiencia de la transferencia.

IMPORTANTE: Estas pistolas rociadoras son adecuadas para uso con materiales de recubrimiento con base tanto de agua como solvente. Estas pistolas no son diseñadas para uso con materiales altamente corrosivos y/o abrasivos y si se utilizan con tales materiales se debe esperar que aumente la necesidad de limpieza y/o reemplazo de piezas. Si existiese alguna duda respecto de la adecuación de un material específico, ponerse en contacto con el Distribuidor de DeVilbiss de su localidad o directamente con DeVilbiss.

NOTA: Esta pistola no se debe usar con solventes de hidrocarburos halogenados ni con agentes de limpieza como el 1,1,1-tricloroetano o cloruro de metileno. Estos solventes pueden reaccionar con los componentes de aluminio usados en esta pistola y la cubeta. La reacción se puede intensificar y producir una explosión de los equipos.

CARACTERÍSTICAS DE CONSTRUCCIÓN

1	Casquillo de aire (latón niquelado para mayor durabilidad)	10	Ajuste del ventilador neumático (regulación progresiva para rociado desde forma de abanico hasta redondo)
2	Anillo de retención del casquillo de aire (permite la rotación fácil del casquillo de aire)	11	Ajuste de fluido (regulación progresiva del volumen de fluido)
3	Boquilla de fluido (ideal para sistemas de capas superiores automotrices)	12	Sistema intercambiable de identificación de colores (4 anillos de colores provistos)
4	Aguja de fluido (vástago muescado para facilitar su remoción)	13	Cuerpo de la pistola de aluminio forjado, anodizado (ergonómico, atractivo y durable, fácil de limpiar)
5	Entrada de fluido [1.11 cm. (7/16") – rosca de 14 UNC] – acepta el sistema de cubeta SRI de DeVilbiss	14	Cubeta de acetato de 125 cc. (fácil de limpiar, antiestática)
6	Entrada de aire (rosca universal, acepta G 1/4 y 1/4 NPS)	15	Tapa de la cubeta con orificio de ventilación libre de goteo (evita el goteo)
7	Empaquetadura de la aguja autoajustable (para una operación sin problemas)	16	Válvula de aire (el diseño ofrece fuerza de tracción y caída de presión bajas)
8	Disparador (ergonómico para mayor comodidad)	17	Pistola aceptable para aplicaciones basadas en agua y basadas en solvente
9	Perno y tornillo del disparador (diseño de fácil reemplazo)	18	La pistola se puede usar con las cubetas desechables de DeVilbiss

MATERIALES DE CONSTRUCCIÓN

Cuerpo de la pistola	Aluminio anodizado
Casquillo de aire	Latón niquelado
Boquilla de fluido, aguja de fluido, entrada de fluido, perno del disparador	Acero inoxidable (303)
Muelles, clips, tornillos	Acero inoxidable (303)
Sellos, guarniciones	Resistente a los solventes
Disparador	Acero cromado
Entrada de aire, buje de cuerpo, cuerpo de la válvula dispersora, tuerca de la válvula de aire, anillo de retención del casquillo de aire, perillas	Latón cromado
Conjunto de la válvula de aire	Acero inoxidable (303), HPDE

ESPECIFICACIONES Y DATOS TÉCNICOS

Conexión de suministro de aire	6 mm. (1/4") universal y 6 mm. (1/4") NPS universal macho
Presión de aire de entrada estática máxima	P1 = 12 bar (175 psi)
Presión de entrada de aire nominal de la pistola para HVLP (HS1) y Trans-Tech® (TS1) con la pistola activada	2.0 bar (29 psi)
Conexión de suministro de fluido	7/16 – 14 UNC
Temperatura de servicio	De 0 a 40°C (de 32 a 104°F)
Peso de la pistola (pistola solamente) (con cubeta)	425 g. (15.0 oz.) 485 g. (17.1 oz.)

PRECAUCIONES DE SEGURIDAD

Este manual contiene información que es importante que usted conozca y entienda. Esta información se relaciona a la SEGURIDAD DEL USUARIO y a EVITAR PROBLEMAS EN EL EQUIPO. Para ayudarlo a reconocer esta información, utilizamos los siguientes símbolos. Por favor, preste particular atención a estas secciones.

ADVERTENCIA

Importante información de seguridad – Un peligro que puede causar lesiones graves o pérdida de la vida.

PRECAUCIÓN





Información importante que le dice cómo evitar daño al equipo, o cómo evitar una situación que puede causar una lesión leve.

Nota

Información a la que usted debiera prestar especial atención.

ADVERTENCIA

Los siguientes peligros pueden ocurrir durante el uso normal de este equipo.
Por favor, lea la siguiente tabla antes de usar este equipo.

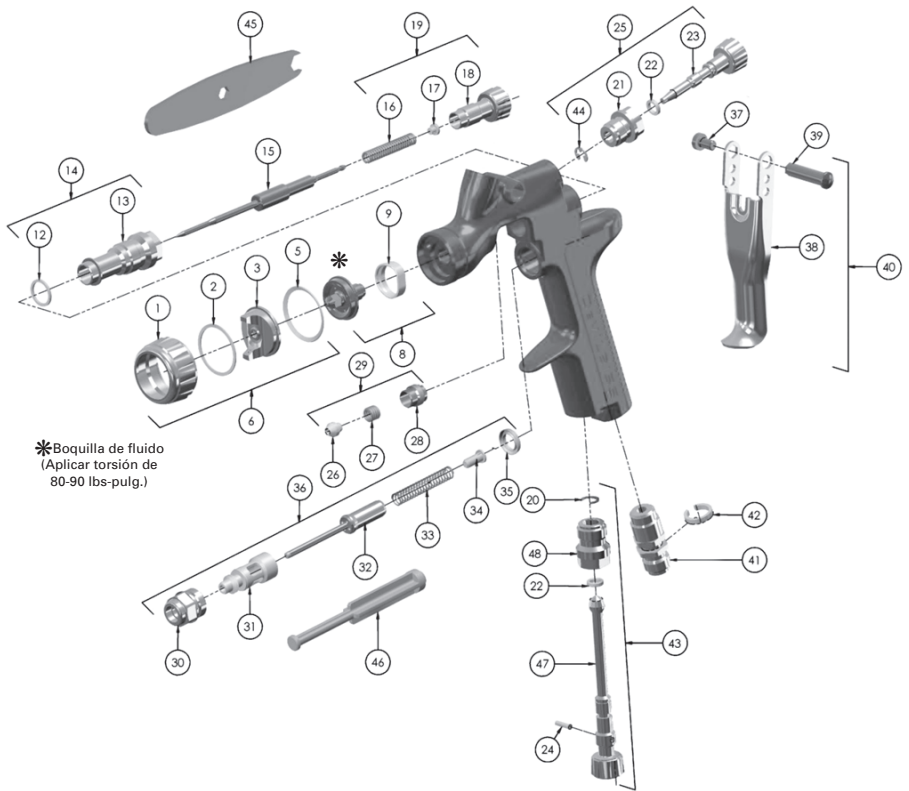
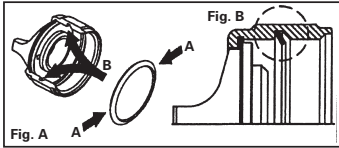
PELIGRO	CAUSA	SALVAGUARDIAS
	Los disolventes y recubrimientos pueden ser altamente inflamables o combustibles especialmente cuando se pulverizan.	<p>Debe proporcionarse una extracción adecuada para mantener el aire libre de acumulaciones de vapores inflamables.</p> <p>Nunca debe permitirse fumar en el área de pulverización.</p> <p>Equipo de extinción de incendio debe estar presente en el área de pulverización.</p>
	Durante la limpieza y operación, los disolventes pueden ser arrojados con fuerza de los pasajes de fluido y aire. Algunos disolventes pueden causar lesiones en los ojos.	Use protección para los ojos.
	Ciertos materiales pueden ser dañinos si se inhalan, o si se ponen en contacto con la piel.	<p>Siga los requisitos de la Hoja de Datos de Seguridad del Material suministrada por el fabricante de su material de recubrimiento.</p> <p>Debe proporcionarse una extracción adecuada para mantener el aire libre de acumulaciones de materiales tóxicos.</p> <p>Use una máscara o respirador siempre que exista la posibilidad de inhalar materiales pulverizados. La máscara debe ser compatible con el material que se está pulverizando y su concentración. El equipo debe ser como lo prescribe un higienista industrial o experto de seguridad y estar aprobado por NIOSH.</p>
	Disolventes de hidrocarburos halogenados – por ejemplo: cloruro de metileno y 1, 1, 1 – tricloroetano no son compatibles químicamente con el aluminio que pudiera usarse en muchos componentes del sistema. La reacción química causada por estos disolventes reaccionando con el aluminio puede resultar violenta y conducir a una explosión en el equipo.	Pistolas con pasadizos internos de acero inoxidable pueden utilizarse con otros disolventes. Sin embargo, el aluminio es ampliamente usado en otros equipos de aplicación – tales como bombas para material, reguladores, válvulas y esta pistola a taza. Compruebe todos los artículos del equipo antes de su uso y asegúrese que pueden usarse con seguridad con estos disolventes. Lea la etiqueta u hoja de datos para el material que intenta pulverizar. En caso de duda de si un recubrimiento o material de limpieza es compatible, contacte al proveedor de su material.
Seguridad General	Operación o mantenimiento indebido del equipo.	Debiera darse a los operarios un entrenamiento adecuado en el uso y mantenimiento seguro del equipo (de acuerdo con los requisitos de NFPA-33, Capítulo 15). Los usuarios deben cumplir con todos los códigos de práctica locales y nacionales y con los requisitos de la compañía de seguros que gobiernan ventilación, precauciones contra incendios, operación, mantenimiento y limpieza. Estas son OSHA Secciones 1910.94 y 1910.107 y NFPA-33.
<p>Problemas traumáticos acumulativos ("CTD's")</p> <p>CTD's, o problemas músculo-esqueléticos, implican daño a las manos, muñecas, codos, hombros, cuello, y espalda. El síndrome del túnel carpiano y tendinitis (tal como el codo de tenista o el síndrome del rotatorio del hombro) son ejemplos de CTD's.</p>	<p>El uso de herramientas manuales puede causar problemas traumáticos acumulativos ("CTD's").</p> <p>CTD's, cuando se usan herramientas manuales, tienden a afectar las extremidades superiores. Los factores que pudieran aumentar el riesgo de desarrollar un CTD incluyen:</p> <ol style="list-style-type: none"> 1. Alta frecuencia de la actividad. 2. Excesiva fuerza, tal como agarrar, apretar o presionar con las manos y dedos. 3. Posiciones extremas o incómodas de dedos, muñeca o brazo. 4. Duración excesiva de la actividad. 5. Vibración de la herramienta. 6. Presión repetida sobre una parte del cuerpo. 7. Trabajar a temperaturas bajas. <p>Los CTD's también pueden causarse por actividades tales como coser, jugar al golf, tenis y a los bolos, para nombrar algunas.</p>	<p>Dolor, cosquilleo, o adormecimiento del hombro, antebrazo, muñeca, manos o dedos, especialmente durante la noche, pueden ser síntomas tempranos de un CTD. No los ignore. Si experimenta cualquiera de estos síntomas, vea a un médico inmediatamente. Otros síntomas tempranos pueden incluir una vaga incomodidad en la mano, pérdida de la destreza manual, y un dolor no específico en el brazo. El ignorar síntomas tempranos y el uso repetitivo y continuado del brazo, muñeca y mano pueden conducir a una incapacidad grave. El riesgo se reduce evitando o disminuyendo los factores 1-7.</p>

LISTA DE PIEZAS

NÚM. DE REF.	DESCRIPCIÓN	NÚM. DE PIEZA	CANT.
1	Anillo de retención del casquillo de aire		1
2	Anillo colector		1
3	Casquillo de aire		1
5	Sello del anillo de retención	SRI-35-K5	1
6	Casquillo de aire y anillo	Ver la Tabla 1, pág.13	1
8	Boquilla de fluido	Ver la Tabla 2, pág. 13	1
9	Separador	SRIPRO-2-K5	1
12*	Sello del buje de cuerpo		1
13	Buje de cuerpo		1
14	Buje de cuerpo y sello	702728	1
15	Aguja de fluido	Ver la Tabla 2, pág. 13	1
16*	Muelle de la aguja		1
17*	Zapata del muelle de la aguja		1
18	Perilla de ajuste de fluido		1
19	Kit de perilla de ajuste de fluido, muelle y zapata	PRO-3-K	1
20*	Presilla de sujeción		1
21	Cuerpo de la válvula dispersora		1
22*	Sello de la válvula dispersora		2
23	Perilla de ajuste de la válvula dispersora		1
24*	Espiga de válvula		1
25	Conjunto de la válvula dispersora	SRIPRO-401-K	1
26*	Empaquetadura de la aguja		1
27*	Muelle empaquetador		1
28	Tuerca de presión		1
29	Kit de empaquetadura, muelle y tuerca de presión	702731	1
30	Cuerpo de la válvula de aire		1
31	Jaula de la válvula de aire		1

NÚM. DE REF.	DESCRIPCIÓN	NÚM. DE PIEZA	CANT.
32	Soporte cónico de la válvula de aire		1
33	Muelle de la válvula de aire		1
34	Zapata del muelle de la válvula de aire		1
35	Sello de la válvula de aire	SN-34-K5	1
36	Conjunto de la válvula de aire	702732	1
37*	Tornillo del perno del disparador (T20 Estrella)		1
38	Disparador		1
39*	Perno del disparador		1
40	Kit de disparador, perno y tornillo	SN-42-K	1
41	Entrada de aire	SN-40-K	1
42	Kit de anillo de identificación de colores (4 colores)	702735	1
43	Válvula de flujo de aire	PRO-404-K	1
44	Grapa de retención		1
45	Llave inglesa (kit de 2)	SRI-50-K2	1
46	Herramienta de servicio de la válvula de aire (incluida en 702732)		1
47	Perilla de la válvula de flujo de aire		1
PIEZAS DE SERVICIO			
Kit de reparación de la pistola rociadora (incluye los elementos marcados con *)		702736	
Kit de sello y aguja, kit de 5 (elementos 20, 22 y 24)		GTI-428-K5	
Para accesorios, ver la página 16			

Diagrama que muestra el ensamble correcto del casquillo de aire/anillo de retención.



INSTALACIÓN

Para lograr la máxima eficiencia de transferencia, no utilice más presión que la necesaria para atomizar el material que está siendo aplicado. **NOTA: Al usar la configuración HS1, HVLP no sobrepase una presión de entrada de 29.0 psi (2 bar). Esto asegurará el cumplimiento con la tecnología HVLP limitando la presión del casquillo de aire a 10 psi (0.7 bar).**

1. Conecte la pistola a un suministro de aire limpio y libre de humedad y aceite usando una manguera conductora.

NOTA

Instale un calibrador neumático en el mango de la pistola. Cuando se activa la pistola, ajuste la presión regulada a 29.0 psi (2.0 bar). No utilice más presión que la necesaria para atomizar el material que está siendo aplicado. El exceso de presión creará un rociado excesivo adicional y reducirá la eficiencia de la transferencia.

NOTA

Si se usa una válvula de ajuste de aire en la entrada de la pistola, use el modelo HAV-512 de DeVilbiss. Algunas válvulas de ajuste de la competencia tienen una caída de presión significativa que puede afectar negativamente el desempeño del rociado. El modelo HAV-512 de DeVilbiss tiene una caída de presión mínima lo cual es importante para el rociado de HVLP.

2. Fije la cubeta alimentada por gravedad a la entrada del material.

NOTA

Antes de usar la pistola, lávela con solvente para asegurar que los conductos de fluido estén limpios.

OPERACIÓN

1. Mezcle el material de recubrimiento según las instrucciones del fabricante.
2. Filtre el material.
3. Llene la cubeta hasta no más de 1/2 pulgada desde la parte superior de la cubeta. **NO LLENE EN EXCESO.**

4. Fije la tapa de la cubeta. Asegúrese de que el orificio de ventilación de la tapa de la cubeta no esté bloqueado.
5. Gire la perilla de ajuste de fluido (18) en sentido horario para impedir el movimiento de la aguja de fluido.
6. Gire la perilla de ajuste de la válvula dispersora (23) en sentido antihorario para que se abra completamente.
7. Ajuste la presión de entrada de aire a 29.0 psi (2.0 bar).
8. Gire la perilla de ajuste de fluido en sentido antihorario hasta que se pueda ver la primera rosca.
9. Haga una prueba de rociado. Si el acabado está muy seco, reduzca el flujo de aire reduciendo la presión de entrada de aire.
10. Si el acabado es muy húmedo, reduzca el flujo de fluido girando la perilla de ajuste de fluido (18) en sentido horario. Si la atomización es muy gruesa, aumente la presión de entrada. Si es muy fina, reduzca la presión de entrada.
11. Se puede reducir el tamaño del patrón de rociado girando la perilla de la válvula dispersora (23) en sentido horario.
12. Sostenga la pistola perpendicularmente a la superficie que está siendo rociada. Arquear o inclinar la pistola puede producir un recubrimiento disparejo.
13. La distancia de rociado recomendada es de 3-6 pulg. (75-150 mm.).
14. Rocíe primero los bordes. Traslape cada pasada de la pistola al menos un 75%. Mueva la pistola a una velocidad constante.
15. Interrumpa siempre el suministro de aire y reduzca la presión cuando la pistola no esté en uso.

MANTENIMIENTO PREVENTIVO Y LIMPIEZA

Para limpiar el casquillo de aire y la boquilla de fluido, cepille el exterior con un cepillo de cerdas duras. Si fuese necesario limpie los orificios del casquillo, use una paja de escoba o un mondadientes si fuese posible. Si se usa alambre o un instrumento duro, se debe tener mucho cuidado para evitar rayar o formar rebabas en los bordes de los orificios lo que distorsionaría los patrones de rociado.

Para limpiar los conductos de fluido, elimine el material excedente de la cubeta y limpie con solución para lavar pistolas. Limpie el exterior de la pistola con un paño humedecido. Nunca sumerja completamente la pistola en ningún solvente o solución limpiadora porque esto es perjudicial para los lubricantes y la vida útil de la pistola rociadora.

NOTA

Al reemplazar la boquilla de fluido o la aguja de fluido, reemplace ambas al mismo tiempo. El uso de partes gastadas puede ocasionar la filtración de fluido. Ver la Tabla 2 en la página 13. Asimismo, reemplace la empaquetadura de la aguja en este momento. Aplique a la boquilla de fluido una torsión de 80-90 lbs-pulg. (9-10 Nm). No apriete demasiado.

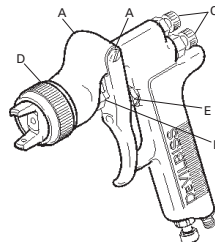
PRECAUCIÓN

Para evitar dañar la boquilla de fluido (8) o la aguja de fluido (15), asegúrese de 1) tirar del disparador y mantenerlo activado mientras aprieta o afloja la boquilla de fluido, o 2) quitar la perilla de ajuste de fluido (18) para reducir la presión del muelle contra el collar de la aguja.

LUBRICACIÓN DE LA PISTOLA ROCIADORA

Diariamente, aplique una gota de lubricante de pistola rociadora SSL-10 en el perno de cojinete del disparador (39) y el vástago de la válvula de aire (32). También se debe aceitar la varilla de la aguja de fluido (15) donde entra en la tuerca de presión (28). Asegúrese de que las roscas del anillo de retención (1) estén limpias y libres de materias foráneas. Antes de ensamblar el anillo de retención en la pistola rociadora, limpie bien las roscas, luego aplique dos gotas de lubricante SSL-10 de pistola rociadora a las roscas. El muelle de la aguja de fluido (16) se debe recubrir con una grasa muy liviana. Para obtener mejores resultados, lubrique diariamente los puntos indicados.

- A. Puntos del disparador
- B. Empaquetadura
- C. Válvulas de ajuste
- D. Roscas de la pistola/casquillo de aire
- E. Cartucho de la válvula de aire

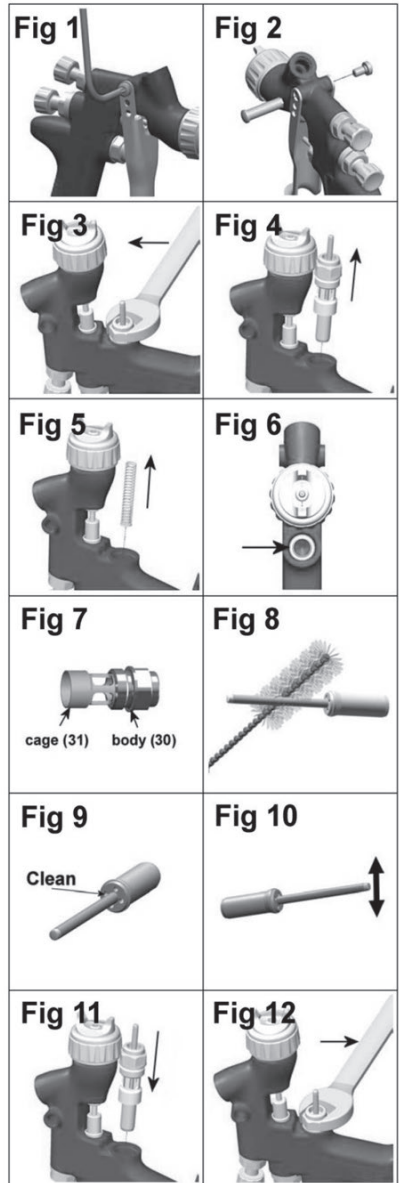


REEMPLAZO/MANTENIMIENTO DE PIEZAS**INSTRUCCIONES PARA LA VÁLVULA DE AIRE****Mantenimiento y reparación de la válvula de aire**

Motivos para dar mantenimiento/servicio a la válvula de aire:

- A) La válvula de aire no está funcionando correctamente (podría necesitar limpieza).
- B) Mantenimiento de rutina.
- C) Filtraciones de aire (recomendar reemplazo, ver la pág. 10)

1. Quite el disparador usando una llave Estrella T20. (Ver las Fig. 1 y 2)
2. Destornille la válvula de aire usando una llave inglesa de 14 mm. (Ver la Fig. 3)
3. Quite la válvula de aire agarrando el vástago. (Ver la Fig. 4)
4. Quite el muelle con la zapata del muelle. (Ver la Fig. 5)
5. **NO quite el sello trasero (35) del cuerpo de la pistola.** (Ver la Fig. 6)
6. **NO quite la jaula de plástico del cuerpo de la válvula de aire porque podría dañar la jaula.** (Ver la Fig. 7)
7. LIMPIE
 - a. Quite toda acumulación de pintura. (Ver la Fig. 8)
 - b. Los 4 orificios del soporte cónico deben estar despejados. (Ver la Fig. 9)
 - c. El vástago debe estar libre para flotar en el soporte cónico. (Ver la Fig. 10)
 - d. El vástago se debe deslizar por el diámetro interno de la jaula con poca resistencia (debido al sello).
 - e. El sello trasero debe verse limpio y en su lugar en el diámetro interno. (Ver la Fig. 6)
 - f. Si no se puede rectificar ninguna de las circunstancias anteriores, reemplace la válvula. (Ver Cómo reemplazar la válvula de aire, pág. 10)
8. Reemplace el muelle asegurando que entre primero el extremo con el soporte del cojinete de plástico. (Ver la Fig. 5)
9. Inserte el conjunto de la válvula de aire en la pistola introduciéndola con cuidado sobre el muelle y a través del sello trasero. (Ver la Fig. 11)
10. Apriete el conjunto de la válvula de aire primero con los dedos y luego con una llave inglesa de 14 mm. (Ver la Fig. 12)
11. Vuelva a colocar el disparador. (Ver la Fig. 2 y 1)
12. Si hubiese filtración de aire por la pistola, podría ser necesario reemplazar la válvula de aire. (Ver Cómo reemplazar la válvula de aire)



REEMPLAZO/MANTENIMIENTO DE PIEZAS

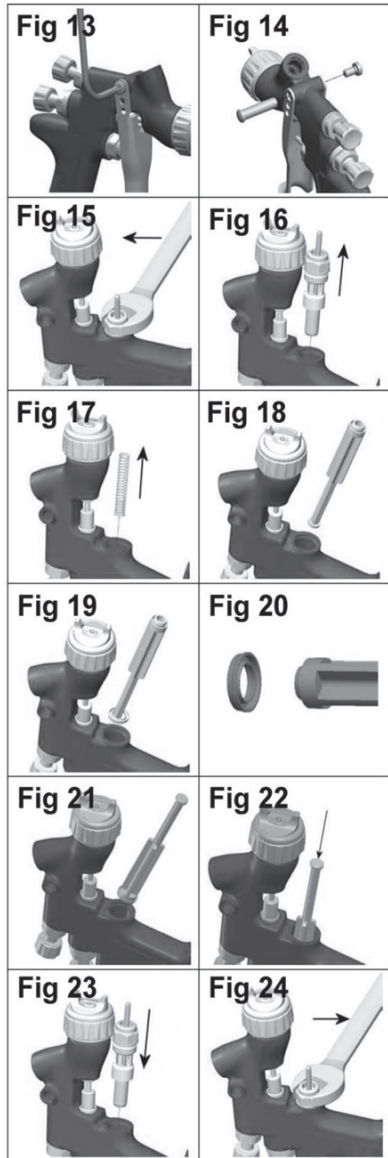
INSTRUCCIONES PARA LA VÁLVULA DE AIRE

Cómo reemplazar la válvula de aire

Motivos para reemplazar la válvula de aire:

- A) Hay filtración de aire por la pistola.
- B) La válvula de aire no está funcionando correctamente.

1. Quite el disparador usando una llave Estrella (T20). (Ver las Fig. 13 y 14)
2. Destornille la válvula de aire usando una llave inglesa de 14 mm. (Ver la Fig. 15)
3. Quite la válvula de aire agarrando el vástago. (Ver la Fig. 16)
4. Quite el muelle con la zapata del muelle. (Ver la Fig. 17)
5. Desenganche el sello trasero usando la herramienta de servicio (46). (Ver las Fig. 18 y 19)
6. Limpie con un cepillo los diámetros internos de la válvula de aire en el cuerpo de la pistola.
7. Coloque el nuevo sello trasero en la herramienta de servicio (46); las muescas deben encajar en la forma de la herramienta de servicio. (Ver la Fig. 20)
8. Empuje el sello trasero firmemente en el orificio hasta el hombro, usando la herramienta de servicio. (Ver las Fig. 21 y 22)
9. Inserte el nuevo muelle, asegurándose de que el extremo con el soporte del cojinete de plástico entre primero. (Ver la Fig. 17)
10. Inserte el conjunto de la válvula de aire en la pistola introduciéndola con cuidado sobre el muelle y a través del sello trasero. (Ver la Fig. 23)
11. Apriete el conjunto de la válvula de aire primero con los dedos y luego con una llave inglesa de 14 mm. (Ver la Fig. 24)
12. Vuelva a colocar el disparador. (Ver las Fig. 14 y 13)

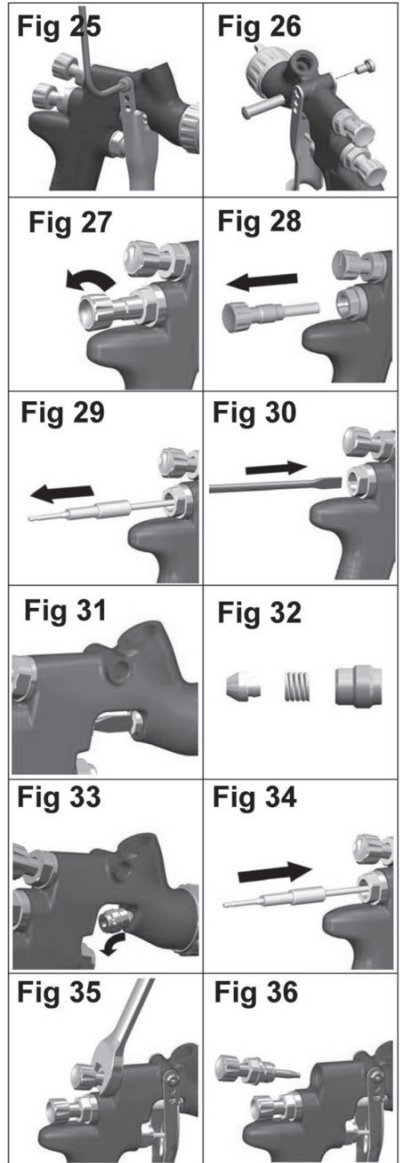


REEMPLAZO/MANTENIMIENTO DE PIEZAS**INSTRUCCIONES PARA LA EMPAQUETADURA DE LA AGUJA****Cómo reemplazar la empaquetadura de la aguja**

13. Quite el disparador usando una llave Estrella (T20). (Ver las Fig. 25 y 26)
14. Quite la perilla de ajuste de fluido y el muelle de la aguja con la zapata del muelle de la pistola. (Ver las Fig. 27 y 28)
15. Quite la aguja de fluido del cuerpo de la pistola. (Ver la Fig. 29)
16. Afloje y quite la tuerca de presión usando un desarmador de hoja recta. (Ver las Fig. 30 y 31)
17. Deseche la empaquetadura y el muelle empaquetador viejos si los está reemplazando. Limpie la empaquetadura si la está usando de nuevo. Limpie también el muelle empaquetador y la tuerca. (Ver la Fig. 32)
18. Reensamble la empaquetadura (Ver la Fig. 32). Ensámblela en el cuerpo de la pistola con la mano (Ver la Fig. 33) y luego apriete. (Ver las Fig. 30 y 31)
19. Inserte la aguja de fluido hasta el tope en el cuerpo de la pistola de manera que se apoye en la boquilla de fluido. (Ver la Fig. 34)
20. Inserte el muelle de la aguja, la zapata del muelle y la perilla de ajuste de fluido. (Ver las Fig. 28 y 27). Reinstale el disparador. (Ver las Fig. 25 y 26)
21. Active la pistola completamente y atornille la perilla de ajuste de fluido hasta que se detenga. Hágala retroceder $\frac{1}{2}$ vuelta y la pistola tendrá un desplazamiento completo de la aguja.
22. Active la pistola varias veces para asegurarse de que funcione correctamente.

REEMPLAZO/MANTENIMIENTO DEL CONJUNTO DE LA VÁLVULA DISPERSORA

El conjunto de la válvula dispersora se puede reemplazar si se daña. Quitelo usando una llave inglesa de 14 mm. (Ver las Fig. 35 y 36). El sello interno se puede reemplazar y se incluye en el Kit de reacondicionamiento de la pistola PRO.

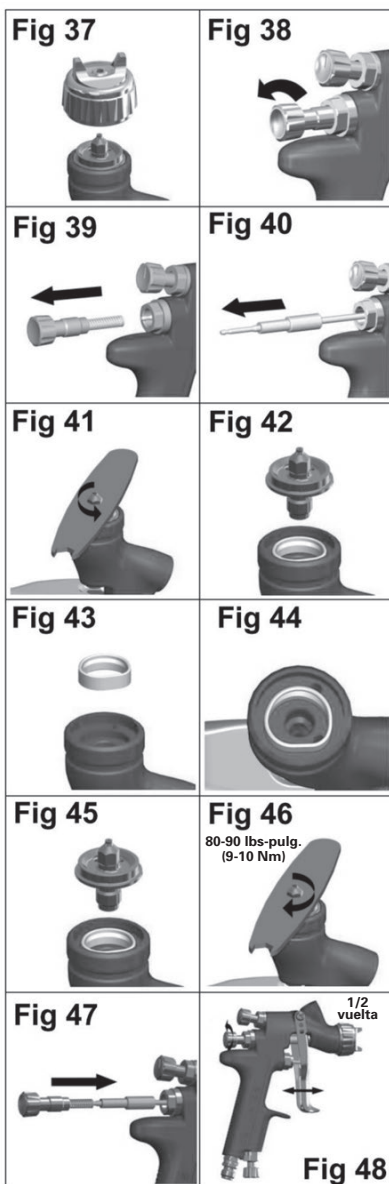


REEMPLAZO/MANTENIMIENTO DE PIEZAS

INSTRUCCIONES PARA EL SELLO DEL SEPARADOR

Cómo reemplazar el sello del separador

1. Quite el casquillo de aire y el anillo de retención. (Ver la Fig. 37)
2. Quite la perilla de ajuste de fluido, el muelle y la zapata del muelle. (Ver las Fig. 38 y 39)
3. Quite la aguja de fluido del cuerpo de la pistola. (Ver la Fig. 40)
4. Quite la boquilla de fluido usando una llave inglesa SRI-50 (6 mm.). (Ver las Fig. 41 y 42)
5. Quite el separador. (Ver la Fig. 43)
6. Limpie la parte delantera de la pistola si fuese necesario, usando un cepillo suave, así como la boquilla de fluido, el casquillo de aire y el anillo de retención.
7. Coloque un nuevo sello del separador en la parte delantera de la pistola, asegurándose de que la parte plana del sello quede alineada con la parte plana de la pistola. (Ver la Fig. 44).
8. Fije la boquilla de fluido, el casquillo de aire y el anillo de retención. Aplique a la boquilla de fluido una torsión de 80-90 lbs-pulg. (9-10 Nm). No aplique torsión excesiva a la boquilla de fluido. (Ver las Fig. 45, 46 y 37)
9. Inserte la aguja de fluido hasta el tope en el cuerpo de la pistola, dejándola apoyada en la boquilla de fluido. (Ver la Fig. 47)
10. Reensamble el muelle de la aguja, la zapata del muelle y la perilla de ajuste de fluido. (Ver la Fig. 48)
11. Active la pistola completamente y atornille la perilla de ajuste de fluido hasta que se detenga. B Hágala retroceder 1/2 vuelta y la pistola tendrá un desplazamiento completo de la aguja. (Ver la Fig. 48)
12. Active la pistola varias veces para asegurarse de que funcione correctamente. (Ver la Fig. 48)



REEMPLAZO/MANTENIMIENTO DE PIEZAS**TABLA 1 – CASQUILLOS DE AIRE**

CASQUILLO DE AIRE Y ANILLO		TECNOLOGÍA	MARCADO EN EL CASQUILLO DE AIRE	PRESIÓN DE ENTRADA RECOMENDADA	FLUJO DE AIRE	
NÚM. DE COMPUTADORA	NÚM. DE PIEZA				(L/min)	(CFM)
803296	SRIPRO-101-HS1	HVLP	HS1	29.0 psi (2.0 bar)	135	4.8
803297	SRIPRO-100-TS1	TRANS-TECH®	TS1	29.0 psi (2.0 bar)	100	3.5

NOTA: Al quitar el casquillo de aire del anillo de retención, no quite el anillo colector (2) ni el sello del anillo de retención (5) del anillo de retención. Podrían dañarse las piezas. El anillo colector y el sello del anillo de retención no están disponibles como piezas de recambio. Simplemente limpie las piezas y reensámblelas con un casquillo de aire nuevo o limpio.

TABLA 2 – RANGO DE LA BOQUILLA DE FLUIDO Y AGUJA DE FLUIDO

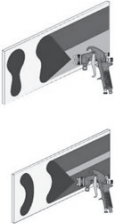
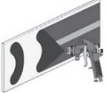
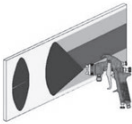
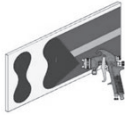
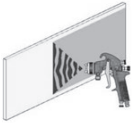
BOQUILLA DE FLUIDO		AGUJA DE FLUIDO	
NÚM. DE COMPUTADORA	NÚM. DE PIEZA	NÚM. DE COMPUTADORA	NÚM. DE PIEZA
803298*	SRIPRO-200-08-K*	803302	SRIPRO-300-0810-K
803299*	SRIPRO-200-10-K*		
803300*	SRIPRO-200-12-K*	803303	SRIPRO-300-1214-K

*Incluye (1) separador SRIPRO-2

NOTA: Al reemplazar la boquilla de fluido o la aguja de fluido, reemplace ambas al mismo tiempo. Aplique una torsión de 80-90 lbs-pulg. (9-10 Nm). No apriete demasiado la boquilla de fluido. Use la llave inglesa SRI-50 (6 mm.) provista con la pistola y verifique con una llave de torsión.

NOTA IMPORTANTE: La SRI PRO y las boquillas de fluido SRI anteriores, NO SON INTERCAMBIABLES entre los 2 modelos. Cualquier intento de hacer encajar las boquillas de fluido o los casquillos en la pistola rociadora incorrecta puede causar daños en las piezas o en el cuerpo de la pistola e invalidar la garantía.

LOCALIZACIÓN Y SOLUCIÓN DE POSIBLES PROBLEMAS DURANTE LA OPERACIÓN


CONDICIÓN	CAUSA	CORRECCIÓN
<p>Patrón recargado en la parte superior o inferior</p>  <p>Patrón recargado hacia la derecha o hacia la izquierda</p> 	<p>Los orificios del cuerno del casquillo de aire están obstruidos.</p> <p>Obstrucción en la parte superior o inferior de la boquilla de fluido.</p> <p>El asiento del casquillo y/o la boquilla están sucios.</p> <p>Los orificios del cuerno del casquillo de aire de la izquierda o de la derecha están obstruidos.</p> <p>Suciedad en el lado izquierdo o derecho de la boquilla de fluido.</p>	<p>Limpiar. Escariar con punta no metálica.</p> <p>Limpiar.</p> <p>Limpiar.</p> <p>Limpiar. Escariar con punta no metálica.</p> <p>Limpiar.</p>
<p>Cómo corregir patrones recargados en la parte superior, inferior, hacia la derecha y hacia la izquierda:</p> <p>1. Determine si la obstrucción está en el casquillo de aire o en la boquilla de fluido. Haga esto realizando una prueba de patrón de rociado. Luego, gire el casquillo media vuelta y rocíe con otro patrón. Si se invierte el defecto, la obstrucción está en el casquillo de aire. Limpie el casquillo de aire de la manera indicada anteriormente. Revise también si hay restos de pintura seca dentro del orificio central del casquillo; limpie con solvente.</p> <p>2. Si el defecto no se invierte, la obstrucción está en la boquilla de fluido. Limpie la boquilla. Si el problema continúa, renueve la boquilla.</p>		
<p>Patrón recargado en el centro.</p> 	<p>Ajuste de la válvula dispersora muy bajo.</p> <p>Presión de atomización muy baja.</p> <p>El material es muy espeso.</p>	<p>Girar en sentido antihorario para lograr el patrón correcto.</p> <p>Aumentar la presión.</p> <p>Diluir hasta lograr la consistencia correcta.</p>
<p>Patrón de rociado dividido</p> 	<p>Presión de aire muy alta.</p> <p>Perilla de ajuste de fluido girada excesivamente.</p> <p>Ajuste de la válvula dispersora fijado muy alto.</p>	<p>Reducir en el regulador o en el mango de la pistola.</p> <p>Girar en sentido antihorario para lograr el patrón correcto.</p> <p>Girar en sentido horario para lograr el patrón correcto.</p>
<p>Rociado entrecortado u ondulado</p> 	<p>Boquilla de fluido/asiento flojo o dañado</p> <p>Boquilla de fluido de la cubeta floja o rota</p> <p>Nivel del material muy bajo</p> <p>Recipiente demasiado inclinado</p> <p>Obstrucción en el conducto de fluido</p> <p>Tuerca de la empaquetadura de la aguja de fluido floja</p> <p>Empaquetadura de la aguja de fluido dañada</p>	<p>Apretar o reemplazarla</p> <p>Apretar o reemplazar la cubeta</p> <p>Rellenar</p> <p>Sostenerlo más verticalmente</p> <p>Limpiar con solvente invirtiendo el flujo</p> <p>Apretarla</p> <p>Reemplazarla</p>
<p>Burbujas de pintura en la cubeta</p>	<p>La boquilla de fluido no está apretada.</p>	<p>La boquilla de fluido no está apretada. Apretar hasta 80-90 lbs-pulg. (9-10 Nm)</p>

LOCALIZACIÓN Y SOLUCIÓN DE POSIBLES PROBLEMAS DURANTE LA OPERACIÓN (CONTINUACIÓN)

El fluido se filtra o gotea desde la tapa de la cubeta	Tapa de la cubeta floja. Cubeta o tapa sucias. Cubeta o tapa agrietada.	Empujarla hacia adentro o reemplazarla. Limpiar. Reemplazar la cubeta y la tapa.
Patrón de rociado infraalimentado	Flujo inadecuado del material Orificio de ventilación bloqueado en la tapa de la cubeta Presión de aire de atomización baja	Hacer girar la perilla de ajuste de fluido para aflojarla un poco o usar una boquilla de fluido más grande. Limpiar la tapa y desobstruir el orificio de ventilación. Aumentar la presión de aire y volver a equilibrar la pistola.
Atomización excesiva	Presión de aire muy alta. Pistola muy alejada de la superficie de trabajo.	Reducir la presión de aire. Ajustar la distancia.
Rociado seco	Presión de aire muy alta. Pistola muy alejada de la superficie de trabajo. Movimiento demasiado rápido de la pistola. Flujo de fluido muy bajo.	Reducir la presión de aire. Ajustar la distancia. Desacelerar. Hacer girar el tornillo de ajuste de la aguja para aflojarla un poco o usar una boquilla más grande.
Fluido se filtra desde la tuerca de presión	Empaquetadura desgastada.	Reemplazarla.
Fluido se filtra o gotea desde la parte delantera de la pistola	Boquilla de fluido o aguja de fluido desgastada o dañada. Materia foránea en la boquilla de fluido. Aguja de fluido sucia o atascada en la empaquetadura de la aguja Tamaño incorrecto de la aguja de fluido o de la boquilla de fluido.	Reemplazar la boquilla de fluido y la aguja de fluido. Limpiar. Limpiar. Reemplazar la boquilla de fluido y la aguja de fluido.
Fluido se filtra o gotea desde la parte inferior de la cubeta	Cubeta floja en la pistola. Asiento de la entrada de fluido en la cubeta sucio.	Apretar. Limpiar.
Corrimiento de la pintura	Demasiado flujo del material. Material muy diluido. Pistola inclinada en ángulo o con movimiento muy lento.	Hacer girar la perilla de ajuste de fluido en sentido horario o usar una boquilla de fluido y una aguja de fluido más pequeñas. Mezclar correctamente o aplicar capas livianas. Sostener la pistola en ángulo recto respecto de la superficie de trabajo y adaptarse a la técnica correcta de rociado.


ACCESORIOS

Acopladores de conexión rápida de automotores Para pistolas de HVLP (aire) – Tipo de flujo alto



Vástago HC-4419
6 mm. (1/4") NPT(F)

Acoplador HC-4719
6 mm. (1/4") NPT(M) / NPS(M)



Vástago HC-1166
1/4" NPT(M)

Acoplador HC-4720
6 mm. (1/4") NPT(F)

HAV-500 O HAV-512
Válvula de ajuste (HAV-512 MOSTRADA)



HAV-500 no tiene manómetro. Se usa para controlar el uso de aire en la pistola.

81-381 8 oz. Conjunto de la cubeta alimentada por gravedad

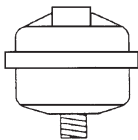


40-128 Cartucho doble, respirador de rociador de pintura



Certificado por el NIOSH (TC 84A-1623) para protección respiratoria en atmósferas que no pongan en peligro inminente la vida.

HAF-507 Whirlwind™
Filtro de aire en línea



Elimina el agua, el aceite y las suciedades de la línea de aire.

Lubricante de pistolas rociadoras SSL-10 (botella de 2 oz.)



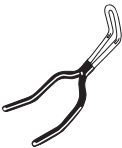
Compatible con todos los materiales de pintura; no contiene silicón ni destilados de petróleo para contaminar la pintura. MSDS (Hoja de datos de seguridad de los materiales) disponible previa solicitud.

Toallas de limpieza de manos 192218 Scrubs®



Scrubs® sontoallas de limpieza de manos prehumedecidas para pintores, operarios de talleres y mecánicos que van adonde usted vaya y no se necesitan agua.

192219
Portapistola



Portapistola elaborado para sostener la pistola con cubetas de gravedad.

KK-5060 Kit de limpieza del casquillo de aire



Consta de: 2 cepillos, 1 husillo de alambre. Ayuda a mantener el casquillo de aire limpio y eficiente.

192212 Kit de limpieza de pistola rociadora profesional



Contiene seis herramientas de precisión diseñadas para limpiar eficazmente todas las pistolas rociadoras de DeVilbiss, Binks, Finishline y de otras marcas.

SRI-478-K12 Kit de 12 cubetas desechables



702740 Llave inglesa



GARANTÍA

Este producto está cubierto por la Garantía Limitada de 1 año de DeVilbiss'.

Centros de ventas y servicio de DeVilbiss a escala mundial: www.devilbiss.com

DeVilbiss Automotive Refinishing

DeVilbiss tiene distribuidores autorizados en todo el mundo. Para equipos, repuestos y servicios de mantenimiento, consulte las Páginas Amarillas bajo "Equipos y suministros para talleres de repintado automotriz." Para asistencia técnica consulte la lista abajo.

Oficina de servicio al cliente en EE.UU./Canadá:

11360 S. Airfield Road, Swanton, OH 43558
Teléfono gratuito: 1-800-445-3988 (EE.UU. y Canadá únicamente)
Fax gratuito: 1-800-445-6643



DEVILBISS®

REPEINTURAGE AUTOMOBILE

FR

Bulletin de service

SB-2-855-B

Remplace SB-2-855-A

SRI Pro®

Bulletin technique

Gamme SRi Pro de pistolets a pour les réparations ponctuelles et locaux restreints



Table des matières

Sujet	Page
Déclaration de conformité EC.....	3
Description des fonctions.....	3
Caractéristiques de construction.....	4
Matériaux de construction.....	4
Caractéristiques et données techniques.....	4
Précautions de sécurité.....	5
Liste des pièces.....	6
Éclaté des pièces.....	7
Installation, fonctionnement, entretien préventif et nettoyage, lubrification du pistolet.....	8
Remplacement / entretien des pièces.....	9-13
A. Entretien de la soupape d'air.....	9
B. Remplacement de la soupape d'air.....	10
C. Garniture du pointeau, ensemble de soupape de diffusion.....	11
D. Remplacement du sceau séparateur.....	12
E. Tableau 1 - Chapeaux d'air, Tableau 2 - Buses à peinture et pointeaux.....	13
Dépistage de problèmes éventuels lors du fonctionnement.....	14, 15
Accessoires.....	16
Garantie.....	16

Déclaration de conformité EC

Nous, la Finishing Brands UK Ltd., Ringwood Rd, Bournemouth, Dorset, BH11 9LH, au Royaume-Uni, à titre de fabricant du modèle de pistolet **SRI-PRO**, déclarons, sous notre seule et entière responsabilité, que l'équipement mentionné dans le présent document est conforme aux normes suivantes ou autres documents normatifs :

BS EN 292-1 PARTIES 1 ET 2 : 1991, BS EN 1953 : 1999 ; et donc conforme aux exigences de protection de la directive du Conseil 98/37/EEC liée à la directive de sécurité des machines, et :

EN 13463-1:2001, directive du Conseil 94/9/EC liée aux équipements et systèmes de protection destinés à être utilisés dans des atmosphères explosibles niveau de protection II 2 G X. Ce produit est également conforme aux exigences des directives EPA, PG6/34.


D. Smith, Vice-président
1er mai 2012

Finishing Brands UK Ltd. se réserve le droit de modifier les caractères techniques de l'équipement sans avis préalable.

Description des fonctions

Ce pistolet SRI PRO est un pistolet de qualité professionnelle conçu pour la technologie haut volume, basse pression (HVBP) ou la technologie Trans-Tech®. La technologie HVBP réduit les brouillards de peinture supplémentaire et limite la pression de chapeau d'air à 0,7 bar (10 psi) (conforme aux règlements émis par la SCAQMD et autres autorités sur la qualité de l'air). La technologie Trans-Tech, lorsque testée dans les conditions recommandées avec des matériaux de repeinture automobile, atteint une efficacité de transfert de plus de 65 %.

IMPORTANT : Ces pistolets peuvent être utilisés avec des matériaux de revêtement à base de solvants et à base d'eau. Ces pistolets ne sont pas conçus pour être utilisés avec des matériaux abrasifs et / ou très corrosifs ou s'ils sont utilisés avec ce genre de matériau les pièces nécessiteront un nettoyage et / ou un entretien plus fréquents. Si vous avez des doutes concernant la compatibilité d'un matériau quelconque, contactez votre fournisseur DeVilbiss ou DeVilbiss directement.

REMARQUE : Ne pas utiliser de solvants contenant des hydrocarbures halogénés ni d'agent nettoyants tels que le 1,1,1 - trichloroéthane ou le chlorure de méthylène. Ces solvants peuvent réagir aux composants d'aluminium utilisés dans ce pistolet et son godet. La réaction chimique peut devenir violente et mener à une explosion de l'équipement.

CARACTÉRISTIQUES DE CONSTRUCTION

1	Chapeau d'air (laiton nickelé pour une longue durabilité)	10	Ajustement de l'air de ventilation (régulation uniforme du ventilateur pour une pulvérisation ronde)
2	Anneau de retenue du chapeau d'air (permet la rotation facile du chapeau d'air)	11	Réglage du liquide (régulation uniforme du volume de liquide)
3	Buse (idéale pour les systèmes de couche de finition pour automobiles)	12	Système d'identification de couleur interchangeable (4 anneaux de couleur fournies)
4	Pointeau (tige rainurée pour dépose facile)	13	Corps de pistolet en aluminium forgé anodisé (ergonomique, attractif et durable, facile à nettoyer)
5	Entrée de liquide (filet UNC 7/16" – 14) - accepte les systèmes de godet SRI DeVilbiss	14	Godet en acétal 125 cc (facile à nettoyer, anti-statique)
6	Entrée d'air (filet universel, accepte G 1/4 et 1/4 NPS)	15	Couvercle de godet avec évent anti-gouttes (évite les gouttes)
7	Garniture de pointeau à réglage automatique (pour un fonctionnement sans souci)	16	Soupape d'air (la conception offre une force de tirage basse et une chute de pression basse)
8	Gâchette (ergonomique et confortable)	17	Le pistolet accepte les applications à base de solvants et d'eau
9	Goujon et vis de gâchette (conception de remplacement facile)	18	Le pistolet peut être utilisé avec les godets jetables DeVilbiss

MATÉRIAUX DE CONSTRUCTION

Corps du pistolet	Aluminium anodisé
Chapeau d'air	Laiton nickelé
Buse, pointeau, entrée de liquide, goujon de gâchette	Acier inoxydable (303)
Ressorts, pinces, vis	Acier inoxydable (303)
Joints	Résistants aux solvants
Gâchette	Acier chromé
Entrée d'air, bague de corps, corps de soupape de diffuseur, écrou de soupape d'air, anneau de retenue du chapeau d'air, boutons	Laiton chromé
Ensemble de soupape d'air	Acier inoxydable (303), HPDE

CARACTÉRISTIQUES ET DONNÉES TECHNIQUES

Raccord d'alimentation en air	BSP 1/4" universel et NPS 1/4" NPS mâle
Pression d'entrée d'air statique maximale	P1 = 175 psi (12 bar)
Pression d'entrée d'air nominale du pistolet pour les modèles HVBP (HS1) et Trans-Tech® (TS1) avec la gâchette enclenchée	29 psi (2,0 bar)
Raccord d'alimentation en liquide	7/16 – 14 UNC
Température de service	32 à 104 °F (0 à 40 °C)
Poids du pistolet (pistolet seulement) (avec godet)	425 g (15 oz) 485 g (17,1 oz)

CONSIGNES DE SÉCURITÉ

Ce manuel renferme des renseignements qui sont important de connaître et de comprendre. Cette information se rapporte à la SÉCURITÉ DE L'UTILISATEUR et à la PRÉVENTION DES PROBLÈMES DE FONCTIONNEMENT DU MATÉRIEL. Pour vous aider à vous retrouver dans cette information, nous avons recours aux symboles suivants. Veuillez porter une attention particulière aux sections suivantes :

MISE EN GARDE

Information importante sur la sécurité
- Danger pouvant occasionner des blessures sérieuses ou même la mort.

AVERTISSEMENT





Information importante qui vous indique comment éviter d'endommager le matériel ou comment éviter les situations susceptibles de causer des blessures mineures.

Remarque

Information à laquelle vous devriez porter une attention particulière.

MISE EN GARDE

Les dangers suivants peuvent se produire durant l'usage normal de cet appareil.
Veuillez lire le tableau suivant avant d'utiliser cet appareil.

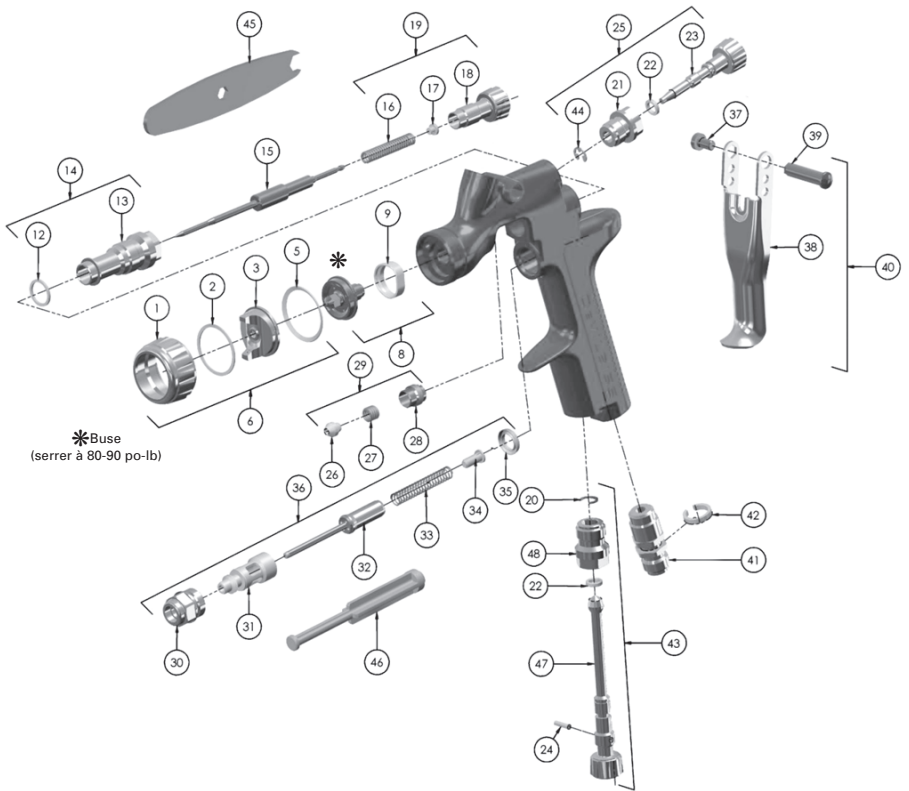
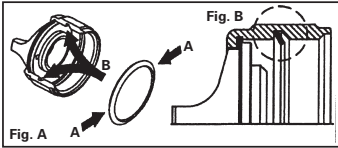
DANGER	CAUSE	MESURES DE PROTECTION
	Les solvants et les revêtements peuvent être hautement inflammables ou combustibles, surtout lorsqu'ils sont vaporisés.	<p>Un système d'évacuation adéquat doit être prévu afin d'éviter l'accumulation de vapeurs inflammables.</p> <p>Il ne devrait jamais être permis de fumer près de l'endroit où se fait la pulvérisation.</p> <p>Du matériel d'extinction d'incendies doit se trouver près de l'endroit où se fait la pulvérisation.</p>
	Durant le nettoyage et le rinçage du matériel, des solvants peuvent être évacués sous pression des conduites d'air et de liquide. Certains solvants peuvent occasionner des blessures aux yeux.	Portez des lunettes de protection.
	Certains produits peuvent être nocifs lorsqu'inhalés, ou s'ils entrent en contact avec la peau.	<p>Suivez les recommandations de sécurité de la fiche technique fournie par le fabricant du produit de revêtement à pulvériser.</p> <p>Un système d'évacuation adéquat doit être prévu afin d'éviter l'accumulation de vapeurs toxiques.</p> <p>Utilisez un masque ou un respirateur lorsqu'il existe un risque d'inhaler les produits pulvérisés. Le masque doit être compatible avec le produit utilisé et sa concentration. Le matériel de protection doit être recommandé par un expert en santé et sécurité au travail et approuvé par NIOSH.</p>
	Les solvants de type hydrocarbure halogéné, par exemple : dichlorométhane et trichloroéthane 1-1-1, ne sont pas chimiquement compatibles avec l'aluminium pouvant être contenu dans plusieurs composants du système. La réaction chimique causée par ces solvants, lorsqu'ils entrent en contact avec l'aluminium, peut être violente et occasionner l'explosion du matériel. Opération ou entretien inadéquats du matériel.	Les pistolets dont les conduits intérieurs sont en acier inoxydable peuvent être utilisés avec ces solvants. Cependant, l'aluminium est largement utilisé dans la fabrication d'autres composants du matériel de pulvérisation, tels que les pompes, régulateurs, soupapes ainsi que ce pistolet et son réservoir. Vérifiez tous les éléments composant le matériel avant de les utiliser et assurez-vous qu'ils peuvent être utilisés en toute sécurité avec ces solvants. Lisez l'étiquette ou la fiche technique du produit que vous avez l'intention de pulvériser. En cas de doute à savoir si un produit de revêtement ou de nettoyage est compatible avec votre matériel, contactez le fournisseur du matériel.
Sécurité générale	L'usage d'outils à main peut occasionner des troubles consécutifs aux traumatismes cumulatifs (« TCTC »).	Les opérateurs doivent recevoir une formation adéquate concernant l'opération et l'entretien du matériel (dans le respect des normes NFPA-33, chapitre 15). Les utilisateurs doivent se conformer à tous les codes de bonnes pratiques locaux et nationaux et aux exigences des assureurs concernant la ventilation, la prévention des incendies, l'opération, l'entretien et la propreté. Ces recommandations sont celles de OSHA, paragraphes 1910.94 et 1910.107, ainsi que de NFPA-33.
<p>Troubles consécutifs aux traumatismes cumulatifs (« TCTC »)</p> <p>Les TCTC, également appelés troubles musculo-squelettiques, sont causés par des dommages aux mains, poignets, coudes, épaules, cou et dos. Le syndrome du tunnel carpien et la tendinite (telles que l'épicondylite latérale ou le syndrome du sus-épineux) sont des exemples de TCTC.</p>	<p>Les TCTC causés par l'utilisation d'outils à main tendent à affecter les extrémités des membres supérieurs. Les facteurs qui peuvent augmenter le risque de développer un TCTC incluent :</p> <ol style="list-style-type: none"> 1. Fréquence répétée de l'activité. 2. Utilisation de force excessive pour, par exemple, agripper, pincer, ou appuyer avec les mains et les doigts. 3. Positions extrêmes ou étranges des doigts, poignets ou bras. 4. Durée excessive de l'activité. 5. Vibration de l'outil 6. Pression répétée sur une partie du corps. 7. Travail à des températures froides. <p>Les TCTC peuvent également être causés par des activités telles que la couture, le golf, le tennis et les quilles, entre autres.</p>	<p>La douleur, le picotement et l'engourdissement de l'épaule, de l'avant-bras, du poignet de la main ou des doigts, particulièrement durant la nuit, peuvent être des symptômes annonciateurs d'un TCTC. Ne les ignorez pas. Si vous ressentez de tels symptômes, consultez immédiatement un médecin. Un vague inconfort dans la main, la perte de dextérité manuelle et une douleur imprécise dans la main représentent d'autres symptômes précoces de TCTC. Le fait d'ignorer ces symptômes précoces et de continuer à utiliser le bras, le poignet et la main de manière répétitive peut entraîner un handicap important. Le risque est réduit en évitant ou en réduisant les facteurs énumérés de 1 à 7.</p>

LISTE DES PIÈCES

Numéro de REF.	DESCRIPTION	N° DE PIÈCE	QTÉ.
1	Anneau de retenue du chapeau d'air		1
2	Anneau de coulissement		1
3	Chapeau d'air		1
5	Joint de l'anneau de retenue	SRI-35-K5	1
6	Chapeau d'air et son anneau	Voir tableau 1, p13	1
8	Buse	Voir tableau 2, p13	1
9	Séparateur	SRIPRO-2-K5	1
12*	Joint de bague de corps		1
13	Bague de corps		1
14	Bague de corps et son joint	702728	1
15	Pointeau	Voir tableau 2, p13	1
16*	Ressort de pointeau		1
17*	Tampon du ressort de pointeau		1
18	Bouton de réglage de liquide		1
19	Ensemble de bouton de réglage de liquide, ressort et tampon	PRO-3-K	1
20*	Pince de retenue		1
21	Corps de soupape de diffuseur		1
22*	Joint de soupape de diffuseur		2
23	Bouton de réglage de la soupape de diffuseur		1
24*	Goupille de soupape		1
25	Ensemble de soupape de diffuseur	SRIPRO-401-K	1
26*	Garniture du pointeau		1
27*	Ressort de garniture		1
28	Écrou de garniture		1
29	Ensemble de presse-garniture, ressort et écrou de garniture	702731	1
30	Corps de soupape d'air		1
31	Cage de soupape d'air		1

Numéro de REF.	DESCRIPTION	N° DE PIÈCE	QTÉ.
32	Champignon de soupape d'air		1
33	Ressort de soupape d'air		1
34	Tampon de ressort de soupape d'air		1
35	Joint de soupape d'air	SN-34-K5	1
36	Ensemble de soupape d'air	702732	1
37*	Vis de goujon de gâchette (T20 cle d'étoile)		1
38	Gâchette		1
39*	Goujon de gâchette		1
40	Ensemble de vis, goujon et gâchette	SN-42-K	1
41	Entrée d'air	SN-40-K	1
42	Trousse d'anneaux d'identification de couleur (4 couleurs)	702735	1
43	Soupape de débit d'air	PRO-404-K	1
44	Circlip		1
45	Clé (ensemble de 2)	SRI-50-K2	1
46	Outil d'entretien de soupape d'air (inclus dans 702732)		1
47	Bouton de soupape de débit d'air		1
PIÈCES D'ENTRETIEN			
Ensemble de réparation de pistolet (inclut les articles marqués *)		702736	
Ensemble de joint et goupille, ensemble de 5 (articles 20, 22 et 24)		GTI-428-K5	
Pour les accessoires, voir page 16			

Dessins montrant l'assemblage correct de l'anneau de retenue et du chapeau d'air



INSTALLATION

Pour une efficacité de transfert maximale, ne pas utiliser plus de pression que nécessaire pour atomiser le matériau à appliquer. **REMARQUE :** pour utiliser le HS1, HVBP ne pas dépasser 29,0 psi (2 bar) de pression d'entrée. Cela assurera la conformité HVBP en limitant la pression du chapeau d'air à 10 psi (0,7 bar).

1. À l'aide d'un boyau conducteur, connecter le pistolet à une source d'air propre et libre d'humidité et d'huile.

REMARQUE

Installer une jauge d'air sur la poignée du pistolet. Lorsque la gâchette est enclenchée, ajuster la pression régulée à 29,0 psi (2,0 bar). Ne pas utiliser plus de pression que nécessaire pour atomiser le matériau à appliquer. La pression excessive créera des brouillards de peinture supplémentaire et réduira l'efficacité de transfert.

REMARQUE

Si une soupape de réglage d'air est utilisée à l'entrée du pistolet, utiliser le modèle HAV-512 de DeVilbiss. Certaines soupapes de réglage concurrentielles présentent une chute de pression significative qui pourrait nuire à la performance de l'atomisation. Le modèle HAV-512 de DeVilbiss a une chute de pression minimale importante à la pulvérisation HVBP.

2. Fixer le godet d'alimentation par gravité à l'entrée du matériau.

REMARQUE

Avant d'utiliser le pistolet, rincer celui-ci avec du solvant pour s'assurer que les conduits de liquide sont propres.

FONCTIONNEMENT

1. Mélanger le matériau de revêtement selon les consignes du fabricant.
2. Filtrer le matériau.
3. Remplir le godet pas plus d'un demi-pouce du bord du godet. NE PAS SUR-REMPLIR.

4. Poser le couvercle du godet. S'assurer que l'évent du couvercle du godet n'est pas entravé.
5. Tourner le bouton de réglage de liquide (18) dans le sens horaire pour empêcher le pointeau de se déplacer.
6. Tourner le bouton de réglage de la soupape de diffuseur (23) dans le sens antihoraire pour l'ouvrir complètement.
7. Régler la pression d'air d'entrée à 29,0 psi (2,0 bar).
8. Tourner le bouton de réglage de liquide dans le sens antihoraire jusqu'à ce que le premier filet apparaisse.
9. Vérifier le jet. Si le produit est trop sec, réduire le débit d'air en réduisant la pression d'entrée d'air.
10. Si le produit est trop humide, réduire le débit de liquide en tournant le bouton de réglage de liquide (18) dans le sens horaire. Si l'atomisation est trop épaisse, augmenter la pression d'air d'entrée. Si l'atomisation est trop fine, réduire la pression d'entrée.
11. La dimension du jet peut être réduite en tournant le bouton de soupape de diffuseur (23) dans le sens horaire.
12. Tenir le pistolet perpendiculaire à la surface à atomiser. L'atomisation à l'arc ou basculée peut causer un revêtement accidenté.
13. La distance d'atomisation recommandée est de 75 à 150 mm (3 à 6 po).
14. Commencer par pulvériser les bords. Chevaucher chaque trait d'un minimum de 75 %. Déplacer le pistolet à une vitesse constante.
15. Toujours fermer l'alimentation en air et relâcher la pression lorsque le pistolet n'est pas utilisé.

ENTRETIEN PRÉVENTIF ET NETTOYAGE

Pour nettoyer le chapeau d'air et la buse, brosser l'extérieur à l'aide d'une brosse à soies dures. S'il s'avère nécessaire de nettoyer les trous du couvercle, utiliser une paille de balai ou un cure-dent si possible. Si un instrument dur ou un fil d'acier est employé, prendre grand soin pour éviter d'égratigner ou d'ébarber les trous car cela causera une atomisation déformée.

Pour nettoyer les conduits de liquide, enlever l'excès de matériau du godet et rincer avec une solution de nettoyage de pistolet. Essuyer l'extérieur du pistolet avec un linge humide. Ne jamais l'immerger complètement dans un solvant quelconque ni des solutions de nettoyage car cela pourrait nuire aux lubrifiants et la vie de service du pistolet.

REMARQUE

Pour remplacer la buse ou le pointeau, remplacer les deux en même temps. L'utilisation de pièces usées peut causer des fuites de liquide. Voir page 13, Tableau 2. Remplacer également la garniture du pointeau au même moment. Serrer la buse à 80-90 po-lb (9-10 Nm). Ne pas trop serrer.

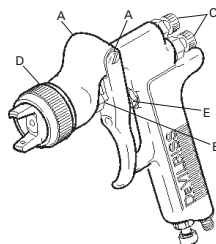
MISE EN GARDE

Pour éviter les dégâts à la buse (8) ou le pointeau (15), s'assurer de soit 1) tirer sur la gâchette et la tenir pour serrer ou desserrer la buse ou 2) retirer le bouton de réglage de liquide (18) pour relâcher la pression du ressort contre le collet du pointeau.

LUBRIFICATION DU PISTOLET

Tous les jours, appliquer une goutte de lubrifiant de pistolet SSL-10 sur le goujon de gâchette (39) et la tige de la soupape d'air (32). La tige du pointeau (15) doit être huilée également à l'endroit où elle pénètre l'écrou de garniture (28). S'assurer que les filets de la bague de retenue (1) sont propres et libres de corps étrangers. Avant de poser la bague de retenue sur le pistolet, nettoyer à fond les filets, puis ajouter deux gouttes de lubrifiant à pistolet SSL-10 aux filets. Le ressort du pointeau (16) doit être enduit de graisse très légère. Pour obtenir les meilleurs résultats, lubrifier tous les jours aux points indiqués.

- A. Points de la gâchette
- B. Garniture
- C. Soupapes de réglage
- D. Filets du pistolet / chapeau d'air
- E. Cartouche de soupape d'air

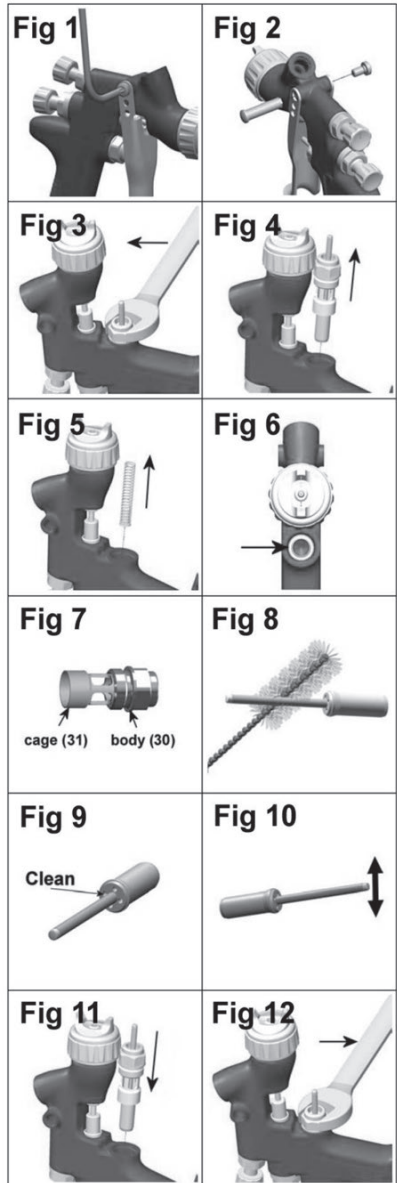


REPLACEMENT / ENTRETIEN DES PIÈCES**CONSIGNES DE LA SOUPAPE D'AIR****Entretien de la soupape d'air**

Raisons d'entretien de la soupape d'air :

- A) La soupape d'air ne fonctionne pas correctement (peut nécessiter un nettoyage).
- B) Entretien périodique.
- C) Fuites d'air (remplacement recommandé, voir p10)

1. Retirer la gâchette à l'aide d'une clé d'étoile T20. (Voir fig 1 et 2)
2. Desserrer la soupape d'air à l'aide d'une clé 14 mm. (Voir fig 3)
3. Retirer la soupape d'air en serrant la tige. (Voir fig 4)
4. Retirer le ressort avec le tampon de ressort. (Voir fig 5)
5. **NE PAS RETIRER LE JOINT ARRIÈRE (35) DU CORPS DU PISTOLET.** (Voir fig 6)
6. **NE PAS RETIRER LA CAGE EN PLASTIQUE DU CORPS DE LA SOUPAPE D'AIR CAR CELA POURRAIT ENDOMMAGER LA CAGE.** (Voir fig 7)
7. **NETTOYER**
 - a. Retirer toute la peinture accumulée. (Voir fig 8)
 - b. Les 4 trous du champignon doivent être propres. (Voir fig 9)
 - c. La tige doit pouvoir flotter dans le champignon. (Voir fig 10)
 - d. La tige doit glisser dans l'alésage de la cage avec un peu de résistance (causée par le joint).
 - e. Le joint arrière doit être propre et en position dans l'alésage. (Voir fig 6)
 - f. Si l'une des conditions ci-dessus ne peut pas être rectifiée, remplacer la soupape d'air. (Voir Remplacement de la soupape d'air, p10)
8. Remplacer le ressort, s'assurant que l'extrémité avec le tampon de palier en plastique est enfoncé en premier. (Voir fig 5)
9. Introduire l'ensemble de soupape d'air dans le pistolet et le passer soigneusement par-dessus le ressort et dans le joint arrière. (Voir fig 11)
10. Serrer l'ensemble de la soupape d'air à la main pour commencer, puis le serrer à l'aide d'une clé 14mm. (Voir fig 12)
11. Remplacer la gâchette. (Voir fig 2 et 1)
12. S'il y a une fuite d'air dans le pistolet, il peut être nécessaire de remplacer la soupape d'air. (Voir Remplacement de la soupape d'air)



REPLACEMENT / ENTRETIEN DES PIÈCES

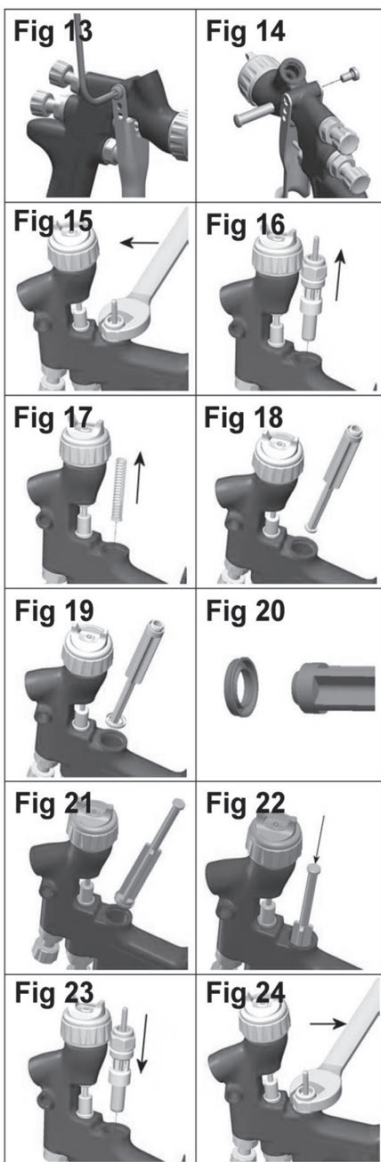
CONSIGNES DE LA SOUPAPE D'AIR

Remplacement de la soupape d'air

Raisons de remplacement de la soupape d'air :

- A) Fuite d'air dans le pistolet.
- B) La soupape d'air ne fonctionne pas correctement.

1. Retirer la gâchette à l'aide d'une clé d'étoile (T20). (Voir fig 13 et 14)
2. Desserrer la soupape d'air à l'aide d'une clé 14 mm. (Voir fig 15)
3. Retirer la soupape d'air en serrant la tige. (Voir fig 16)
4. Retirer le ressort avec le tampon de ressort. (Voir fig 17)
5. Retirer le joint arrière à l'aide de l'outil d'entretien (46). (Voir fig 18 et 19)
6. Nettoyer les alésages de la soupape d'air dans le corps du pistolet à l'aide d'une brosse.
7. Placer un joint arrière neuf sur l'outil d'entretien (46); les rainures doivent s'ajuster dans la forme de l'outil d'entretien. (Voir fig 20)
8. Enfoncer fermement le joint arrière dans le trou jusqu'à l'épaulement au moyen de l'outil d'entretien. (Voir fig 21 et 22)
9. Introduire un ressort neuf, s'assurant que l'extrémité avec le tampon de palier en plastique est enfoncé en premier. (Voir fig 17)
10. Introduire l'ensemble de soupape d'air dans le pistolet et le passer soigneusement par-dessus le ressort et dans le joint arrière. (Voir fig 23)
11. Serrer l'ensemble de la soupape d'air à la main pour commencer, puis le serrer à l'aide d'une clé 14 mm. (Voir fig 24)
12. Remplacer la gâchette. (Voir fig 14 et 13)

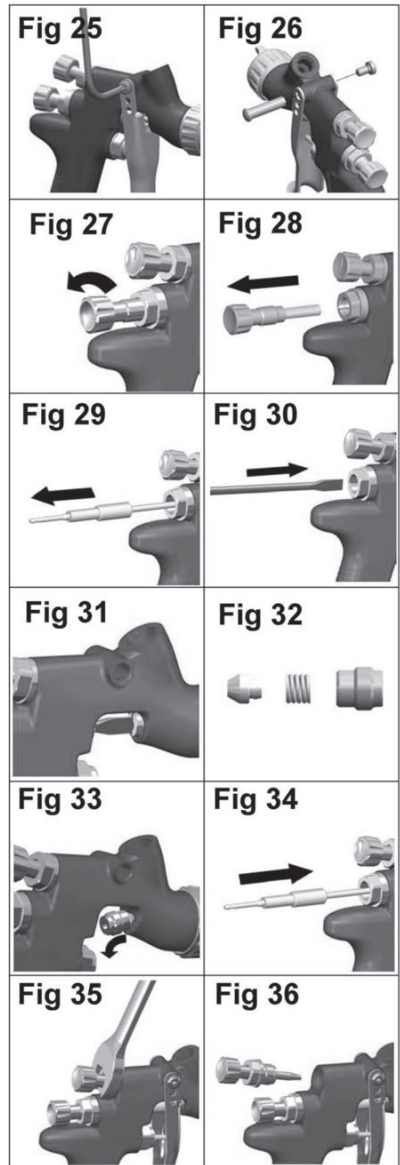


REPLACEMENT / ENTRETIEN DES PIÈCES**CONSIGNES DE LA GARNITURE DU POINTEAU****Remplacement de la garniture de pointeau**

13. Retirer la gâchette à l'aide d'une clé d'étoile (T20). (Voir fig 25 et 26)
14. Retirer du pistolet le bouton de réglage de liquide et le ressort avec le tampon de ressort. (Voir fig 27 et 28)
15. Retirer le pointeau du corps du pistolet. (Voir fig 29)
16. Desserrer et retirer l'écrou de garniture à l'aide d'un tournevis à lame plate. (Voir fig 30 et 31)
17. Jeter la garniture et le ressort de garniture si ceux-ci seront remplacés. Sinon, nettoyer la garniture. Nettoyer également le ressort et l'écrou de garniture. (Voir fig 32)
18. Remonter la garniture, (Voir fig 32). Monter à la main la garniture dans le corps du pistolet (voir fig 33), puis serrer. (Voir fig 30 et 31)
19. Introduire le pointeau à fond dans le corps du pistolet, l'ajustant dans la buse. (Voir fig 34)
20. Introduire le ressort de pointeau, le tampon de ressort, et le bouton de réglage de liquide. (Voir fig 28 et 27). Reposer la gâchette. (Voir fig 25 et 26)
21. Enclencher complètement la gâchette et visser le bouton de réglage de liquide jusqu'à ce que celui-ci s'arrête. Desserrer d'un demi-tour et le pistolet aura une course de pointeau complète.
22. Enclencher la gâchette à plusieurs reprises pour vérifier son fonctionnement.

REPLACEMENT / ENTRETIEN DE L'ENSEMBLE DE SOUPAPE DE DIFFUSEUR

S'il est endommagé, l'ensemble de soupape de diffuseur peut être remplacé. Le retirer au moyen d'une clé 14 mm (voir fig 35 et 36). Le joint interne peut être remplacé et est compris dans la trousse de remise en état du pistolet PRO.

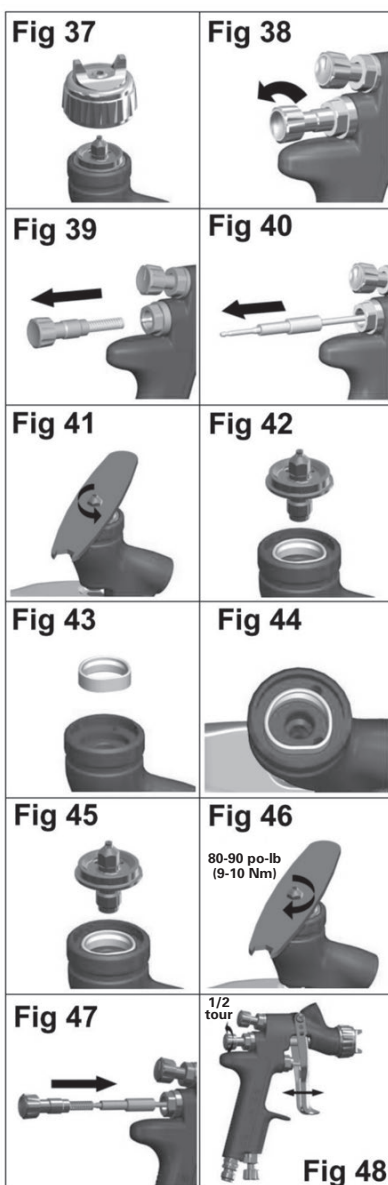


REPLACEMENT / ENTRETIEN DES PIÈCES

CONSIGNES DU JOINT SÉPARATEUR

Remplacement du sceau séparateur

1. Retirer le chapeau d'air et l'anneau de retenue. (Voir fig 37)
2. Retirer le bouton de réglage de liquide, le ressort, et le tampon de ressort. (Voir fig 38 et 39)
3. Retirer le pointeau du corps du pistolet. (Voir fig 40)
4. Retirer la buse au moyen d'une clé SRI-50 (6 mm). (Voir fig 41 et 42)
5. Retirer le séparateur. (Voir fig 43)
6. Si nécessaire, nettoyer le devant du pistolet, ainsi que la buse, le chapeau d'air et la bague de retenue au moyen d'une brosse à soies souples.
7. Placer un joint séparateur neuf dans le devant du pistolet, s'assurant que le côté plat du joint s'aligne sur la face plate du pistolet. (Voir fig 44).
8. Ajuster la buse, le chapeau d'air et l'anneau de retenue. Serrer la buse à 80-90 po-lb (9-10 Nm). Ne pas trop serrer la buse. (Voir fig 45, 46 et 37)
9. Introduire le pointeau à fond dans le corps du pistolet, l'ajustant dans la buse. (Voir fig 47)
10. Remonter le ressort du pointeau, le tampon de ressort, et le bouton de réglage de liquide. (Voir fig 47)
11. Enclencher complètement la gâchette et visser le bouton de réglage de liquide jusqu'à ce que celui-ci s'arrête. Desserrer d'un demi-tour et le pistolet aura une course de pointeau complète. (Voir fig 48)
12. Enclencher la gâchette à plusieurs reprises pour vérifier son fonctionnement. (Voir fig 48)



REPLACEMENT / ENTRETIEN DES PIÈCES**TABLEAU 1 - CHAPEAUX D'AIR**

CHAPEAU D'AIR ET SON ANNEAU		TECHNOLOGIE	NUMÉRO SUR LE CHAPEAU D'AIR	PRESSION D'ENTRÉE RECOMMANDÉE	DÉBIT D'AIR	
N° NUMÉRIQUE	N° DE PIÈCE				(l / min)	(pi ³ / min)
803296	SRIPRO-101-HS1	HVBP	HS1	29,0 psi (2,0 bar)	135	4.8
803297	SRIPRO-100-TS1	TRANS-TECH®	TS1	29,0 psi (2,0 bar)	100	3.5

REMARQUE : En retirant le chapeau d'air de la bague de retenue, ne retirer de la bague de retenue ni la bague de coulissement (2) ni le joint de bague de retenue (5). Les pièces pourraient être endommagées. La bague de coulissement et le joint de bague de retenue ne sont pas offerts comme pièces de rechange. Essuyer simplement les pièces et les remonter avec un chapeau d'air neuf ou propre.

TABLEAU 2 - GAMME DE BUSES ET POINTEAU



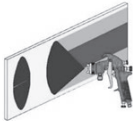
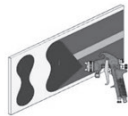

BUSE		POINTEAU	
N° NUMÉRIQUE	N° DE PIÈCE	N° NUMÉRIQUE	N° DE PIÈCE
803298*	SRIPRO-200-08-K*	803302	SRIPRO-300-0810-K
803299*	SRIPRO-200-10-K*		
803300*	SRIPRO-200-12-K*	803303	SRIPRO-300-1214-K

*Inclut (1) séparateur SRIPRO-2

REMARQUE : Pour remplacer la buse ou le pointeau, remplacer les deux en même temps. Serrer à 80-90 po-lb (9-10 Nm). Ne pas trop serrer la buse. Utiliser la clé SRI-50 (6 mm) fournie avec le pistolet et vérifier à l'aide d'une clé de serrage.

REMARQUE IMPORTANTE : Les buses et chapeaux d'air SRI PRO et des modèles SRI précédents NE SONT PAS INTERCHANGEABLES entre les 2 modèles. Tout essai d'ajuster des buses ou des chapeaux sur le mauvais pistolet peut endommager les pièces ou le corps du pistolet et en annuler la garantie.

DÉPISTAGE DE PROBLÈMES ÉVENTUELS LORS DU FONCTIONNEMENT

ÉTAT	CAUSE	CORRECTION
Pulvérisation trop épaisse vers le haut ou le bas  Pulvérisation trop épaisse vers la gauche ou la droite 	Trous colmatés. Obstruction dans le haut ou le bas de la buse. Siège de chapeau et / ou de la buse colmaté. Trous latéraux de gauche ou de droite colmatés. Saleté du côté droit ou gauche de la buse.	Nettoyer. Aléser au moyen d'une pointe non métallique. Nettoyer. Nettoyer. Nettoyer. Aléser au moyen d'une pointe non métallique. Nettoyer.
Solutions pour les pulvérisations trop épaisses des côtés droit ou gauche, vers le haut ou le bas : 1. Établir si l'obstruction est sur le chapeau d'air ou la buse. Pour ce faire, effectuer un test de pulvérisation. Ensuite, tourner le chapeau d'un demi-tour et effectuer un autre test de pulvérisation. Si le défaut est à l'envers, l'obstruction est sur le chapeau d'air. Nettoyer le chapeau d'air selon les consignes précédentes. Vérifier également s'il y a de la peinture sèche dans l'ouverture du trou central du chapeau ; l'enlever en nettoyant le chapeau avec du solvant. 2. Si le défaut n'est pas à l'envers, l'obstruction est sur la buse. Nettoyer la buse. Si le problème persiste, remplacer la buse.		
Pulvérisation trop épaisse au centre. 	La soupape de réglage de diffusion est réglée trop bas. Pression d'atomisation trop basse. Matériau trop épais.	La tourner dans le sens horaire pour obtenir la bonne pulvérisation. Augmenter la pression. Diluer pour obtenir la bonne consistance.
Jet sectionné 	Pression d'air trop élevée. Bouton de réglage de liquide trop enfoncé. Soupape de réglage de diffusion réglée trop haut.	La réduire au régulateur ou à la poignée du pistolet. Le tourner dans le sens horaire pour obtenir la bonne pulvérisation. La tourner dans le sens horaire pour obtenir la bonne pulvérisation.
Jet saccadé ou oscillant 	Siège ou buse desserrés ou endommagés Mamelon de godet desserré ou brisé Niveau de matériau trop bas Contenant trop incliné Obstruction dans le conduit de liquide Écrou de garniture de pointeau desserré Garniture de pointeau endommagé	Serrer ou remplacer Serrer ou remplacer le godet Remplir Tenir plus droit Décolmater avec du solvant Serrer Remplacer
Bouillonnements dans le godet	Buse de liquide non serrée.	Buse de liquide non serrée. Serrer à 80-90 po-lb (9-10 Nm).

DÉPISTAGE DE PROBLÈMES ÉVENTUELS LORS DU FONCTIONNEMENT (SUITE)

Fuite de liquide ou couvercle de godet dégouttant	Couvercle de godet desserré.	Enfoncer ou remplacer.
	Couvercle ou godet sale.	Nettoyer.
	Couvercle ou godet craqué.	Remplacer le couvercle et le godet.
Jet insuffisant	Débit insuffisant du matériau.	Tourner le bouton de réglage de liquide pour le desserrer ou employer une plus grande buse.
	Évent du couvercle de godet bloqué	Nettoyer le couvercle et débloquer l'évent.
	Pression d'air faible	Augmenter la pression d'air et rééquilibrer le pistolet.
Brouillards de peinture supplémentaire excessifs	Pression d'air trop élevée.	Réduire la pression d'air.
	Pistolet trop éloigné du plan de travail.	Régler à la bonne distance.
Pulvérisation sèche	Pression d'air trop élevée.	Réduire la pression d'air.
	Pistolet trop éloigné du plan de travail.	Régler à la bonne distance.
	Mouvement trop rapide du pistolet.	Ralentir.
	Débit de liquide trop bas.	Tourner la vis de réglage du pointeau pour la desserrer ou employer une plus grande buse.
Fuite de liquide de l'écrou de garniture	Garniture usée.	Remplacer .
Fuite de liquide ou devant du pistolet dégouttant	Buse ou pointeau usés ou endommagés.	Remplacer la buse et le pointeau.
	Corps étranger dans la buse.	Nettoyer.
	Pointeau sale ou collé dans la garniture	Nettoyer.
	Mauvaise dimension de buse ou de pointeau.	Remplacer la buse et le pointeau.
Fuite de liquide ou bas du godet dégouttant	Godet lâche sur le pistolet.	Serrer.
	Siège d'entrée de liquide du godet sale.	Nettoyer.
Couleurs	Débit du matériau trop fort.	Tourner le bouton de réglage pour le desserrer ou employer une buse et un pointeau plus petits.
	Matériau trop clair.	Mélanger correctement ou appliquer de fines couches.
	Pistolet incliné sur un angle, ou mouvement du pistolet trop lent.	Tenir le pistolet à l'angle droit pour travailler et adapter pour corriger la technique.

ACCESSOIRES

Raccords automobile rapides
Pour pistolets HVBP (à air) - du type haut débit

Tige HC-4419
1/4" NPT(F)

Coupleur HC-4719
1/4" NPT(M) / NPS(M)

Tige HC-1166
1/4" NPT(M)

Coupleur HC-4720
1/4" NPT(F)

HAV-500 OU HAV-512
Soupape de réglage
(HAV-512 ILLUSTRE)

Le modèle HAV-512 n'a pas de jauge de pression. Utilisé pour contrôler l'emploi d'air au pistolet.

81-381 Ensemble de godet alimenté par gravité de 250 ml (8 oz)

Masque à double cartouche 40-128

Homologué NIOSH (TC84A-1623) pour une protection respiratoire dans les environnements non immédiatement dangereux à la vie.

HAF-507 Whirlwind™
Filtere à air en ligne

Enlève l'eau, l'huile et les débris de la conduite d'air.

Lubrifiant de pistolet SSL-10
(bouteille de 60 ml / 2 oz)

Compatible avec tous les matériaux de peinture ; ne contient ni silicone, ni distillat de pétrole pouvant contaminer la peinture. Fiche signalétique disponible sur demande.

Serviettes pour nettoyer les mains 192218 Scrubs®

Les Scrubs® sont des serviettes humides portables pour nettoyer les mains destinées aux peintres, réparateurs de carrosserie et mécaniciens, pas d'eau nécessaire.

192219
Support de pistolet

Support de pistolet conçu pour supporter les pistolets avec godets alimentés par gravité.

Ensemble de nettoyage de chapeau d'air KK-5060

Consiste de : 2 brosse, 1 aiguille en acier. Aide à tenir le chapeau d'air propre et en bon état de service.

Ensemble de nettoyage de pistolet professionnel 192212

Contient six outils de précision conçus pour bien nettoyer tous les pistolets DeVilbiss, Binks, Finishline et d'autres marques.

Ensemble de 12 godets jetables SRI-478-K12

Cle 702740

GARANTIE

Ce produit est couvert par la garantie restreinte d'un an de DeVilbiss.

Informations sur les ventes et le service DeVilbiss dans le monde entier : www.devilbiss.com

DeVilbiss Automotive Refinishing

DeVilbiss a des concessionnaires agréés partout dans le monde. Pour l'équipement, les pièces et le service, vérifiez les pages jaunes sous "Automobiles - Équipement et fournitures de réparation de carrosserie." Pour de l'aide technique voir la liste ci-dessous.

Bureau du service à la clientèle au Canada / aux É.-U. :

11360 S. Airfield Road, Swanton, OH 43558
 Téléphone sans frais : 1-800-445-3988 (É.-U. et Canada seulement)
 Télécopieur sans frais : 1-800-445-6643

