



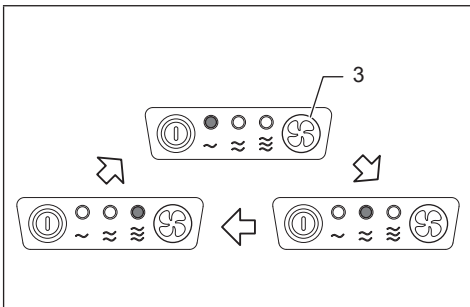
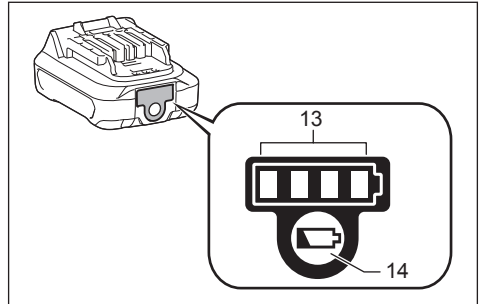
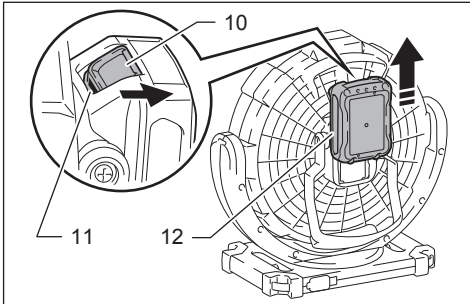
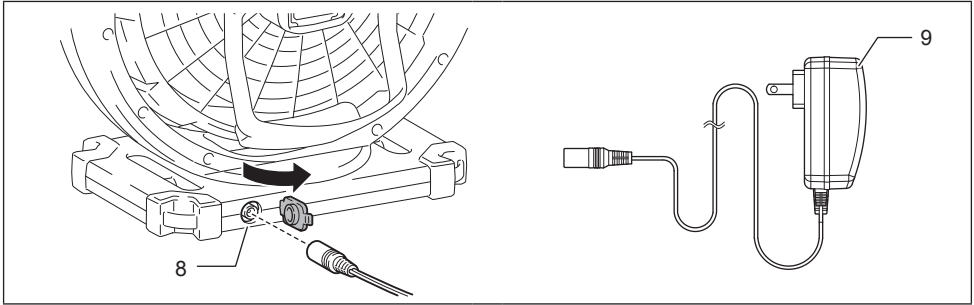
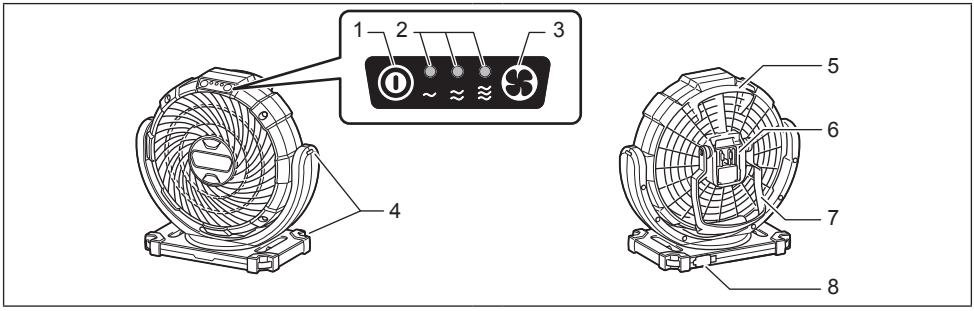
CF100D

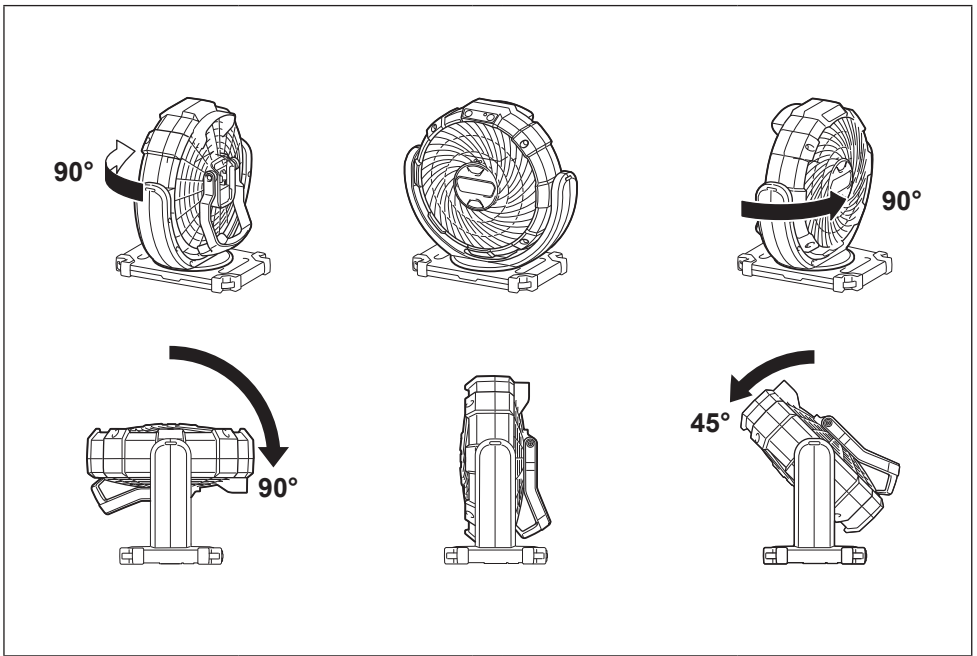
EN	Cordless Fan	Owner's Manual
FRCA	Ventilateur sans fil	Manuel du propriétaire
ESMX	Ventilador Inalámbrico	Manual del propietario

IMPORTANT: Read Before Using.

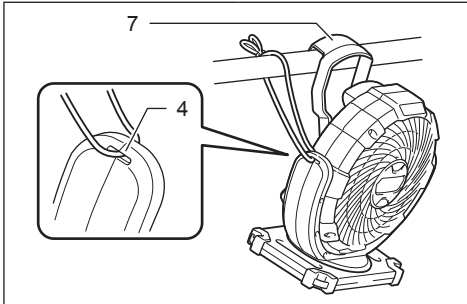
IMPORTANT : Lire ce qui suit avant d'utiliser cet outil.

IMPORTANTE: Leer antes de usar.

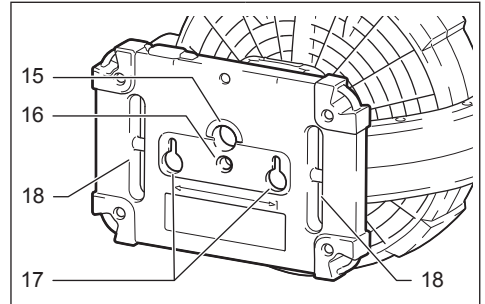




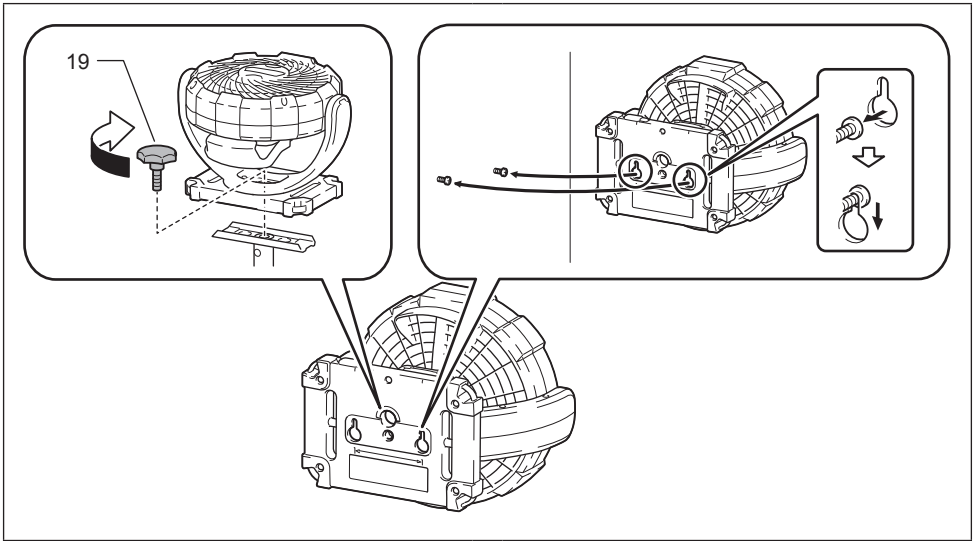
6



7



8



9

English

To prevent serious injury, please read and understand all warnings and instructions before use.

SAVE THIS MANUAL

You will need this manual for the safety warnings and precautions, assembly, operating, inspection, maintenance and cleaning procedures, parts list. Keep this manual in a safe and dry place for future reference.

WARNING AND SAFETY RULES

IMPORTANT

SAFETY INSTRUCTION

When using an electrical appliance, basic precautions should always be followed, including the following:

READ ALL INSTRUCTIONS BEFORE USING THIS APPLIANCE.

WARNING- To reduce the risk of fire, electric shock or injury:

1. Do not expose to rain. Store indoors.
2. Do not allow to be used as a toy. Close attention is necessary when used by or near children.
3. Use only as described in this manual. Use only manufacturer's recommended attachments.
4. Do not use with damaged battery. If appliance is not working as it should has been dropped, damaged, left outdoors, or dropped into water, return it to a service center.
5. Do not handle the appliance with wet hands.
6. Do not put any object into openings.
7. Keep hair, loose clothing, finger and all parts of body away from openings and moving parts.
8. Turn off all controls before removing the battery.
9. Use only the AC adaptor or charger supplied by the manufacturer. Accessories that may be suitable for one cordless fan may become hazardous when used on others.
10. Do not charge the battery outdoors.
11. This appliance is not intended for use by persons (including children) with reduced physical, sensory or mental capabilities, or lack of experience and knowledge, unless they have been given supervision or instruction concerning use of the appliance by a person responsible for their safety.
12. Children should be supervised to ensure that they do not play with the appliance.
13. Do not expose to fire or high temperatures.
14. Do not use near open flames, glowing embers or explosive atmospheres, such as in presence of flammable liquids, gases or dust. Cordless fans create sparks which may ignite the dust or fumes.

This appliance is intended for household use.

ADDITIONAL SAFETY RULES

1. Read this instruction manual and the charger instruction manual carefully before use.
2. Stop operation immediately if you notice any abnormal.
3. If you drop or strike the fan, check it carefully for cracks or damage before operation.
4. Do not bring it close to stoves or other heat sources.
5. Do not use if broken, bent, cracked or damaged parts are present. Any cordless fan that appears damaged in any way or operates abnormally must be removed from service immediately. Inspect before each operation.
6. Do not leave cordless fan energized and unattended.
7. Don't abuse the AC adaptor. Never use the adaptor cord to carry the fans or pull the plug out from an outlet. Keep the AC adaptor away from heat, oil, sharp edges, or moving parts. Replace damaged adaptor immediately. Damaged adaptor may increase the risk of electric shock.

READ AND SAVE THESE INSTRUCTIONS

CORDLESS FAN USE AND CARE

1. Use the correct cordless fan for your application. Do not use the fan for a purpose for which it is not intended.
2. The cordless fan can work by AC adaptor supplied or **10.8 V–12 V max Li-ion** battery cartridge that was provided by Makita. Use of any other batteries may create a risk of fire. Recharge batteries only with the specified charger.
3. Store idle cordless fan out of reach of children and other untrained persons.
4. Disconnect battery cartridge or the AC adaptor from the power source before storing the fan. Such preventive safety measures may reduce the risk of starting the fan accidentally. Always unplug the fan from its electrical outlet before performing any inspection, maintenance, or cleaning procedures.
5. When battery cartridge is not in use, keep it away from other metal objects. Shortening the battery terminals together may cause sparks, burns or a fire.
6. Unplug unit and allow it to cool before attempting any cleaning or maintenance.

SERVICE

1. Cordless fan service must be performed only by qualified repair personnel. Service or maintenance performed by unqualified personnel could result in a risk of injury.
2. When servicing a cordless fan, use only identical replacement parts. Use of unauthorized parts or failure to follow maintenance instructions may create a risk of electric shock or injury.

SPECIFICATIONS

Battery cartridge	Makita 10.8 V–12 V max Li-ion rechargeable battery		
AC adaptor	Input: 100–240V, 50/60 Hz, 0.6 A max; Output: 12 V 1.5 A		
Dimension (L x W x H)	Without battery	148 mm x 260 mm x 252 mm (5-7/8" x 10-1/4" x 9-7/8")	
	With BL1016/BL1021B battery	149 mm x 260 mm x 252 mm (5-7/8" x 10-1/4" x 9-7/8")	
	With BL1041B battery	168 mm x 260 mm x 252 mm (6-5/8" x 10-1/4" x 9-7/8")	
Net weight	1.2–1.4 kg (2.7–3.1 lbs)		

- The weight may differ depending on the attachment(s), including the battery cartridge. The lightest and heaviest combination, according to EPTA-Procedure 01/2014, are shown in the table.

BATTERY RUNNING TIME

Only refers to the following types of battery provided by Makita.
The estimated running time of full charged battery is showing below:

Air speed	Battery		
	BL1016	BL1021B	BL1041B
High	Approx. 105 mins	Approx. 135 mins	Approx. 275 mins
Medium	Approx. 145 mins	Approx. 190 mins	Approx. 380 mins
Low	Approx. 240 mins	Approx. 315 mins	Approx. 630 mins

PARTS DESCRIPTION (Fig. 1–5, Fig. 7–9)

- | | | |
|------------------------|----------------------------|--------------------------------|
| 1. Power switch button | 2. Speed indicator | 3. Speed change button |
| 4. Strap hole | 5. Handle | 6. Battery slot |
| 7. Hook | 8. 12V DC socket | 9. AC adapter |
| 10. Button | 11. Red indicator | 12. Battery cartridge |
| 13. Indicator lamp | 14. Check button | 15. Screw hole A (5/8"-11 UNC) |
| 16. Screw hole B | 17. Hole for wall mounting | 18. Slit for hooking |
| 19. Thumb screw | | |

HOW TO OPERATE THE UNIT



WARNING

- Do not allow familiarity with tools to make you careless. Remember that a careless fraction of a second is sufficient to inflict serious injury.
- Do not use any batteries, attachments or accessories not recommended by the manufacturer of this tool. The use of batteries, attachments or accessories not recommended can result in serious personal injury.
- Do not handle the cord and battery with wet or greasy hand.
- Never use the cordless fan when the cord or plug is damaged.
- Do not leave the AC adaptor disconnected from the cordless fan while the power is supplied from the mains. Small children may put the live plug in their mouth and cause injury.
- When inserting/removing the battery or plugging/unplugging the AC adaptor, always place the cordless fan on a flat and stable surface.

This fan is equipped with a 3-speed control using the speed switch. Power supply can be with AC adaptor or battery cartridge (OPTIONAL ACCESSORIES).

USING AC ADAPTOR

Insert the 12V DC plug of AC adaptor into the 12V DC socket (**Fig. 2**), and then plug the AC pins into a main power supply. Make sure that the voltage rating of the main power supply corresponds with that of the adaptor.

SAVE THESE INSTRUCTIONS

After the AC adaptor is connected, the cordless fan may take 3–5 seconds to start.

The adaptor might creak while using it for the power supply. This doesn't affect normal use.

The supplied AC adapter does not charge the battery inserted to the cordless fan.

USING BATTERY CARTRIDGE

IN ORDER TO ENSURE THE BATTERY MAXIMUM PERFORMANCE, IT IS RECOMMENDED THAT THE BATTERY CARTRIDGE SHOULD BE CHARGED BEFORE BEING USED FOR THE FIRST TIME.

1. Before using battery cartridge, read all instructions and cautionary markings on (1) battery charger, (2) battery, and (3) product using battery.
2. Do not disassemble battery cartridge.
3. If operating time has become excessively shorter, stop operating immediately. It may result in a risk of overheating, possible burns or even an explosion.
4. If electrolyte gets into your eyes, rinse them out with clear water and seek medical attention right away. It may result in loss of your eyesight.
5. Do not shorten the battery cartridge:
 - (1) Do not touch the terminals with any conductive material.
 - (2) Avoid storing battery cartridge in a container with other metal objects such as nails, coins, etc.
 - (3) Do not expose battery cartridge to water or rain.
6. Do not store the tool and battery cartridge in locations where the temperature may reach or exceed 50°C (122°F).
7. Do not incinerate the battery cartridge even if it is severely damaged or is completely worn out. The battery cartridge can explode in a fire.
8. Be careful not to drop or strike battery.
9. Do not use a damaged battery.
10. Never recharge a fully charged battery cartridge. Overcharging shortens the battery service life.
11. The contained lithium-ion batteries are subject to the Dangerous Goods Legislation requirements. For commercial transports e.g. by third parties, forwarding agents, special requirement on packaging and labeling must be observed. For preparation of the item being shipped, consulting an expert for hazardous material is required. Please also observe possibly more detailed national regulations. Tape or mask off open contacts and pack up the battery in such a manner that it cannot move around in the packaging.
12. Follow your local regulations relating to disposal of battery.

SAVE THESE INSTRUCTIONS



CAUTION: Only use genuine Makita batteries.

Use of non-genuine Makita batteries, or batteries that have been altered, may result in the battery bursting causing fires, personal injury and damage. It will also void the Makita warranty for the Makita tool and charger.

Tips for maintaining maximum battery life:

1. Charge the battery cartridge before completely discharged. Always stop tool operation and charge the battery cartridge when you notice less tool power.
2. Never recharge a fully charged battery cartridge. Overcharging shortens the battery service life.

- Charge the battery cartridge with room temperature at 10°C–40°C (50°F–104°F). Let a hot battery cartridge cool down before charging it.
- Charge the battery cartridge if you do not use it for a long period (more than six months).

Installing or removing of battery cartridge (Fig. 3)

Always switch off the tool before installing or removing of the battery cartridge.

To remove the battery cartridge, slide it from the tool while sliding the button (10). Make sure to hold the cordless fan when sliding out the cartridge.

To install the battery cartridge, align the tongue on the battery cartridge with the groove in the housing and slip it into place. Always insert it all the way until it locks in place with a little click. If you can see the red indicator (11) on the upper side of the button, it is not locked completely. Install it fully until the red indicator (11) can not be seen. If not, it may accidentally fall out of the tool, causing injury to you or someone around you.







Do not use force when installing the battery cartridge. If the cartridge does not slide in easily, it is not being inserted correctly.

To operate the cordless fan using battery cartridge, please refer to the instruction of AC adaptor.

Indicating the remaining battery capacity (Fig. 4)

Only for battery cartridges with the indicator

Press the check button (14) on the battery cartridge to indicate the remaining battery capacity. The indicator lamps (13) light up for few seconds.

Indicator lamps		Remaining capacity
 Lighted	 Off	
		75% to 100%
		50% to 75%
		25% to 50%
		0% to 25%

NOTE:

- Depending on the conditions of use and the ambient temperature, the indication may differ slightly from the actual capacity.
- The overdischarge protection for the battery will work when the battery capacity becomes low. In this case, cordless fan stops automatically. If the cordless fan does not operate even when the switch is operated, remove the battery from the tool and charge the battery.

Starting / stopping the fan (Fig. 1)

Push the power switch button (1) to turn on the fan. Push the power switch button again to turn off the fan.

Changing wind speed (Fig. 5)

Push the speed change button (3) while the fan is running. The wind speed increases every time you push the button. The wind speed will return to the lowest speed when running in the highest speed.

The cordless fan will start in the same speed as the previous setting.

Adjusting fan head angle (Fig. 6)

The angle of the fan head can be adjusted. The range of motion in the fan head is as shown in the figure.

NOTE:

- Do not turn the fan head further than its range of motion.

Hanging the fan (Fig. 7)

Use hook on the handle to hang the cordless fan on a pole or other usable places. To prevent the cordless fan accidentally dropped, attach a strap using the strap hole (4) and secure it.

CAUTION:

- Never hook the cordless fan at high locations or on the surfaces where the tool may lose the balance and fall.
- For hanging the cordless fan, use a hard material such as a metal pole. The diameter of the hooking pole should be smaller than 24 mm (15/16") and can withstand 5.6 kg (12.4 lbs). Do not hang the cordless fan higher than 2.3 m (7.6 ft).

Mounting on a tripod (Fig. 8, Fig. 9)

The cordless fan can be mounted on some Makita tripods.

When using the tripod with the threaded shaft 5/8"-11 UNC, mount the cordless fan using the screw hole A (15).

When using the tripod for Makita work light, mount the cordless fan by fixing the thumb screw (19) into the screw hole B (16).

Mounting on a wall (Fig. 8, Fig. 9)

Prepare two screws and fix them on the wall as shown in the figure. Hang the cordless fan using the wall mounting holes (17).



CAUTION:

- When hanging on the wall, unplug and remove battery from the cordless fan.
- Carefully choose a stable wall for mounting the cordless fan. Make sure that the cordless fan is securely hooked on the wall.
- Always remove the cordless fan from the wall when installing/removing the battery. Otherwise the cordless fan may fall off and cause an injury.
- This fan is intended to be mounted at high level and has to be installed so that the blades are more than 2.3 m above the floor or windows.

MAINTENANCE



WARNING

- When servicing, ask Makita authorized service centers and with only identical replacement parts. Use of any other parts may create a hazard or cause product damage.
- To avoid serious personal injury, always remove the AC adaptor or battery cartridge from the unit when cleaning or performing any maintenance.
- Allow the cordless fan to cool completely before performing any inspection, maintenance, cleaning procedures or storage.

GENERAL MAINTENANCE

Avoid using solvents when cleaning plastic parts. Most plastics are susceptible to damage from various types of commercial solvents and may be damaged by their use. After the portable fan cooled, use clean clothes to remove dirt, dust, oil, grease etc.



WARNING

- Do not at any time let brake fluids, gasoline, petroleum-based products, penetrating oils etc., contact with plastic parts. Chemicals can damage, weaken or destroy plastic which may result in serious personal injury.
- All parts should be replaced at an Authorized Service Center.

STORAGE

To prevent fire or burning, allow the portable fan to cool down completely before you store it.

Do not store the discharged battery for long periods, as it can shorten its service life.

For technical questions, please contact sales agent.

Français

Afin d'éviter toute blessure grave, vous devez lire et comprendre tous les avertissements et instructions avant l'utilisation.

CONSERVEZ CE MANUEL

Vous aurez besoin de ce manuel en ce qui a trait aux consignes de sécurité et précautions, au montage, à l'utilisation, aux procédures d'inspection, d'entretien et de nettoyage, et à la liste des pièces. Gardez ce manuel dans un emplacement sûr et sec pour consultation ultérieure.

AVERTISSEMENTS ET CONSIGNES DE SÉCURITÉ

IMPORTANT

INSTRUCTIONS DE SÉCURITÉ

Lors de l'utilisation d'un appareil électrique, certaines précautions élémentaires doivent toujours être prises, dont les suivantes :

VEUILLEZ LIRE TOUTES LES INSTRUCTIONS AVANT D'UTILISER CET APPAREIL.

AVERTISSEMENT – Pour réduire les risques d'incendie, de choc électrique ou de blessure :

1. Ne pas exposer à la pluie. Ranger à l'intérieur.
2. Ne pas permettre l'utilisation comme jouet. Une attention particulière est requise lors de l'utilisation par ou près des enfants.
3. Utiliser exclusivement de la façon décrite dans ce manuel. Utiliser uniquement les pièces recommandées par le fabricant.
4. Ne pas utiliser avec une batterie endommagée. Si l'appareil ne fonctionne pas normalement ou s'il a été échappé, endommagé, laissé dehors ou échappé dans l'eau, l'envoyer à un centre de service après-vente.
5. Ne pas manier l'appareil avec les mains mouillées.
6. Ne mettre aucun objet dans les ouvertures.
7. Garder les cheveux, les vêtements amples, les doigts et toutes les parties du corps à l'écart des ouvertures et des pièces en mouvement.
8. Désactiver toutes les commandes avant de retirer la batterie.
9. Utiliser uniquement l'adaptateur secteur ou le chargeur fourni par le fabricant. Les accessoires adéquats pour un ventilateur sans fil donné peuvent présenter un danger s'ils sont utilisés sur d'autres ventilateurs.
10. Ne pas charger les batteries à l'extérieur.
11. Cet appareil n'est pas conçu pour l'utilisation par des personnes (y compris les enfants) atteintes d'un handicap physique, sensoriel ou mental, ainsi que par des personnes ne possédant pas l'expérience et les connaissances nécessaires, à moins qu'elles ne soient supervisées ou n'aient reçu des instructions sur l'utilisation de l'appareil par une personne responsable de leur sécurité.
12. Les enfants doivent être surveillés pour s'assurer qu'ils ne jouent pas avec l'appareil.
13. Ne pas exposer au feu ou à des températures élevées.
14. Ne pas utiliser près de flammes nues, de braises vives ou d'atmosphères explosives telles que celles qui contiennent des liquides, gaz ou poussières inflammables. Les ventilateurs sans fil produisent des étincelles qui peuvent allumer les poussières ou émanations.

Cet appareil est conçu pour un usage domestique.

CONSIGNES DE SÉCURITÉ ADDITIONNELLES

1. Veuillez lire attentivement ce manuel d'instructions et celui du chargeur avant l'utilisation.
2. Cessez immédiatement l'utilisation en cas d'anomalie.
3. Si vous échappez ou heurtez le ventilateur, vérifiez soigneusement l'absence de fissures ou de dommages avant de poursuivre son utilisation.
4. Ne pas le placer près d'un poêle ou autre source de chaleur.

- Ne pas l'utiliser s'il est cassé, plié ou fissuré, ou si des pièces sont endommagées. Tout ventilateur sans fil qui présente des signes d'endommagement ou de fonctionnement anormal doit être immédiatement mis hors service. Inspectez l'appareil avant chaque utilisation.
- Ne pas laisser le ventilateur sans fil sous tension lorsqu'il est sans surveillance.
- Ne pas maltraiter l'adaptateur secteur. Ne jamais utiliser le cordon de l'adaptateur pour transporter le ventilateur, ni tirer sur le cordon au lieu de la fiche pour la débrancher de la prise de courant. Gardez l'adaptateur secteur à l'écart de la chaleur, de l'huile, des bords tranchants et des pièces en mouvement. Remplacez immédiatement l'adaptateur s'il est endommagé. Le risque de choc électrique peut être plus élevé avec un adaptateur endommagé.

VEUILLEZ LIRE ET CONSERVEZ CES INSTRUCTIONS

UTILISATION ET ENTRETIEN DU VENTILATEUR SANS FIL

- Utilisez un ventilateur sans fil bien adapté au type d'usage que vous en ferez. Ne pas utiliser le ventilateur pour un usage pour lequel il n'a pas été conçu.
- Le ventilateur sans fil peut être alimenté par l'adaptateur secteur fourni ou par une batterie **Li-ion 10,8 V–12 V max.** fournie par Makita. L'utilisation de tout autre type de batterie comporte un risque d'incendie. Rechargez les batteries uniquement avec le chargeur spécifié.
- Après l'utilisation, rangez le ventilateur sans fil hors de portée des enfants et des personnes non familières avec son utilisation.
- Retirez la batterie ou débranchez l'adaptateur secteur de la source d'alimentation avant de ranger le ventilateur. Ces mesures préventives peuvent réduire le risque de démarrage accidentel du ventilateur. Débranchez toujours le ventilateur de la prise de courant avant de procéder à son inspection, à sa maintenance ou à son nettoyage.
- Lorsque la batterie n'est pas utilisée, gardez-la à l'écart des autres objets métalliques. Un court-circuit des bornes de batterie peut produire des étincelles, causer des blessures ou provoquer un incendie.
- Débranchez l'appareil et laissez-le refroidir avant d'en faire le nettoyage ou la maintenance.

RÉPARATION

- La réparation du ventilateur sans fil ne doit être effectuée que par un personnel qualifié. L'exécution de la réparation ou de la maintenance par un personnel non qualifié comporte un risque de blessure.
- Pour réparer un ventilateur sans fil, utilisez uniquement des pièces de rechange identiques aux pièces originales. L'utilisation de pièces non autorisées ou l'ignorance des instructions de maintenance peuvent comporter un risque de choc électrique ou de blessure.

SPÉCIFICATIONS

Batterie	Batterie rechargeable Li-ion 10,8 V–12 V max. Makita	
Adaptateur secteur	Entrée : 100–240 V, 50/60 Hz, 0,6 A max.; sortie : 12 V 1,5 A	
Dimensions (L x P x H)	Sans batterie	148 mm x 260 mm x 252 mm (5-7/8" x 10-1/4" x 9-7/8")
	Avec batterie BL1016/BL1021B	149 mm x 260 mm x 252 mm (5-7/8" x 10-1/4" x 9-7/8")
	Avec batterie BL1041B	168 mm x 260 mm x 252 mm (6-5/8" x 10-1/4" x 9-7/8")
Poids net	1,2–1,4 kg (2,7–3,1 lb)	

- Le poids peut varier selon les accessoires, y compris la batterie. La plus légère et la plus lourde combinaisons, selon la procédure EPTA 01/2014, sont indiquées dans le tableau.

TEMPS DE FONCTIONNEMENT DE LA BATTERIE

S'applique uniquement aux types suivants de batteries fournies par Makita.

L'estimation du temps de fonctionnement d'une batterie pleinement chargée est indiquée ci-dessous :

Vitesse du flux d'air	Batterie		
	BL1016	BL1021B	BL1041B
Élevée	Environ 105 min	Environ 135 min	Environ 275 min
Moyenne	Environ 145 min	Environ 190 min	Environ 380 min
Basse	Environ 240 min	Environ 315 min	Environ 630 min

DESCRIPTION DES PIÈCES (Fig. 1–5, Fig. 7–9)

- | | | |
|--------------------------------|-----------------------------|------------------------------------|
| 1. Interrupteur d'alimentation | 2. Indicateur de vitesse | 3. Bouton de changement de vitesse |
| 4. Trou pour sangle | 5. Poignée | 6. Logement à batterie |
| 7. Crochet | 8. Prise 12 V CC | 9. Adaptateur secteur |
| 10. Bouton | 11. Voyant rouge | 12. Batterie |
| 13. Témoin | 14. Bouton de vérification | 15. Trou de vis A (5/8"-11 UNC) |
| 16. Trou de vis B | 17. Trou pour montage mural | 18. Fente pour accrocher |
| 19. Vis à oreilles | | |

UTILISATION DE L'APPAREIL



AVERTISSEMENT

- Demeurez prudent même si vous êtes familier avec les outils. N'oubliez pas qu'une fraction de seconde d'inattention suffit pour entraîner une grave blessure.
- Ne pas utiliser de batteries, fixations ou accessoires non recommandés par le fabricant de cet outil. L'utilisation de batteries, fixations ou accessoires non recommandés peut entraîner une blessure grave.
- Ne pas manipuler le cordon et la batterie avec une main mouillée ou grasseuse.
- Ne jamais utiliser le ventilateur sans fil si le cordon ou sa fiche est endommagé.
- Ne pas laisser l'adaptateur secteur déconnecté du ventilateur sans fil pendant qu'il est alimenté par une prise secteur. Les jeunes enfants pourraient se blesser en mettant la fiche sous tension dans leur bouche.
- Lorsque vous insérez/retirez la batterie ou branchez/débranchez l'adaptateur secteur, mettez toujours le ventilateur sans fil sur une surface plane et stable.

Ce ventilateur est doté d'une commande à 3 vitesses contrôlée par un commutateur de vitesse. L'appareil peut être alimenté par l'adaptateur secteur ou la batterie (ACCESSOIRES EN OPTION).

UTILISATION DE L'ADAPTATEUR SECTEUR

Insérez la fiche 12 V CC de l'adaptateur secteur dans la prise 12 V CC (**Fig. 2**), puis branchez les broches CA dans l'alimentation principale. Assurez-vous que la tension nominale de l'alimentation principale correspond à celle de l'adaptateur.

CONSERVEZ CES INSTRUCTIONS

Le ventilateur sans fil peut mettre de 3 à 5 secondes à démarrer après le branchement de l'adaptateur secteur.

Il se peut que l'adaptateur grince pendant son utilisation comme source d'alimentation. Cela n'affecte pas son fonctionnement normal.

L'adaptateur secteur fourni ne charge pas la batterie insérée dans le ventilateur sans fil.

UTILISATION DE LA BATTERIE

POUR ASSURER LE RENDEMENT OPTIMAL DE LA BATTERIE, IL EST RECOMMANDÉ DE CHARGER LA BATTERIE AVANT LA PREMIÈRE UTILISATION.

1. Avant d'utiliser la batterie, veuillez lire toutes les instructions et tous les avertissements inscrits sur (1) le chargeur de batterie, (2) la batterie et (3) le produit alimenté par la batterie.
2. Ne pas démonter la batterie.

3. Si l'autonomie de la batterie devient très courte, cessez immédiatement l'utilisation. Autrement il y a risque de surchauffe, de brûlures, voire d'explosion.
4. Si de l'électrolyte pénètre dans vos yeux, rincez-les à l'eau claire et consultez immédiatement un médecin. Autrement il y a risque de perte de la vue.
5. Ne pas court-circuiter la batterie :
 - (1) Ne pas toucher les bornes avec un objet conducteur.
 - (2) Évitez de ranger la batterie dans un contenant avec d'autres objets métalliques tels que clous, pièces de monnaie, etc.
 - (3) Ne pas exposer la batterie à l'eau ou à la pluie.
 Le court-circuit de la batterie peut causer un fort débit de courant, une surchauffe, d'éventuelles brûlures, voire une panne.
6. Ne pas ranger l'outil et la batterie dans les emplacements où la température peut atteindre ou dépasser 50 °C (122 °F).
7. Ne pas jeter la batterie au feu même si elle est gravement endommagée ou complètement usée. La batterie risquerait d'éclater et de s'enflammer.
8. Évitez d'échapper ou de heurter la batterie.
9. Ne pas utiliser la batterie si elle est endommagée.
10. Ne jamais recharger une batterie complètement chargée. La surcharge réduit la durée de service de la batterie.
11. Les batteries lithium-ion fournies sont soumises aux exigences de la législation sur les marchandises dangereuses. Des exigences particulières sur l'emballage et l'étiquetage doivent être respectées lors du transport commercial par des tiers, des transitaires, etc. Pour préparer la marchandise à expédier, il est nécessaire de consulter un expert en matériaux dangereux. Respectez aussi les éventuelles réglementations nationales plus détaillées. Recouvrez de ruban isolant les contacts exposés, et emballez la batterie de sorte qu'elle ne puisse pas se déplacer à l'intérieur de l'emballage.
12. Respectez la réglementation locale en matière d'élimination des batteries.

CONSERVEZ CES INSTRUCTIONS

 **ATTENTION : Utilisez exclusivement les batteries fabriquées par Makita.**

Les batteries autres que celles fabriquées par Makita ou les batteries modifiées peuvent exposer et causer un incendie, une blessure ou des dommages. Cela annule aussi la garantie Makita de l'outil et du chargeur Makita.

Conseils pour assurer la durée de service optimale de la batterie :

1. Chargez la batterie avant qu'elle ne soit complètement déchargée. Lorsque vous constatez une baisse de puissance, vous devez toujours éteindre l'outil et charger la batterie.
2. Ne rechargez jamais une batterie déjà complètement chargée.
La surcharge réduit la durée de service de la batterie.
3. Chargez la batterie à la température ambiante intérieure d'une pièce, sur une plage de 10 °C à 40 °C (50 °F à 104 °F). Si la batterie est chaude, laissez-la refroidir avant de la charger.
4. Chargez la batterie si vous la laissez inutilisée pendant une période prolongée (plus de six mois).

Pose ou retrait de la batterie (Fig. 3)

Mettez toujours l'outil hors tension avant de poser ou de retirer la batterie.

Pour retirer la batterie, glissez-la hors de l'outil tout en faisant glissant le bouton (10). Pensez à tenir le ventilateur sans fil lorsque vous glissez la batterie pour l'en retirer.

Pour poser la batterie, alignez sa languette sur la rainure à l'intérieur du carter, et faites-la glisser en place.

Insérez-la toujours à fond, jusqu'à ce qu'elle se mette en place avec un léger déclic. Si vous pouvez voir le voyant rouge (11) sur le dessus du bouton, la batterie n'est pas complètement verrouillée. Insérez-la à fond, jusqu'à ce que le voyant rouge (11) ne soit plus visible. Sinon, elle pourrait tomber accidentellement de l'outil, au risque de vous blesser ou de blesser quelqu'un se trouvant près de vous.







Ne forcez pas pour poser la batterie. Si elle ne glisse pas facilement, c'est que vous ne l'insérez pas correctement.

Pour utiliser le ventilateur sans fil avec la batterie, reportez-vous aux instructions de l'adaptateur secteur.

Indication de la charge restante de la batterie (Fig. 4)

Uniquement pour les batteries avec voyant

Appuyez sur le bouton de vérification (14) de la batterie pour indiquer la capacité restante de la batterie. Les témoins (13) s'allument pendant quelques secondes.

Témoins		Capacité restante
 Allumé	 Éteint	
		75 % à 100 %
		50 % à 75 %
		25 % à 50 %
		0 % à 25 %

NOTE :

- Suivant les conditions d'utilisation et la température ambiante, il se peut que l'indication diffère légèrement de la capacité réelle.
- La protection contre la décharge excessive de la batterie s'active lorsque la charge de la batterie devient faible. Le cas échéant, le ventilateur sans fil s'arrête automatiquement. Si le ventilateur sans fil ne fonctionne pas même lorsque vous activez le commutateur, retirez la batterie de l'outil et chargez-la.

Démarrage et arrêt du ventilateur (Fig. 1)

Appuyez sur l'interrupteur d'alimentation (1) pour allumer le ventilateur. Appuyez de nouveau sur l'interrupteur d'alimentation pour éteindre le ventilateur.

Modification de la vitesse du flux d'air (Fig. 5)

Appuyez sur le bouton de changement de vitesse (3) pendant que le ventilateur tourne. La vitesse du flux d'air augmente chaque fois que vous appuyez sur le bouton. Le flux d'air revient à la vitesse la plus basse lorsque vous appuyez alors que le ventilateur tourne à la vitesse la plus élevée.

Le ventilateur sans fil redémarre à la même vitesse que lors du réglage précédent.

Réglage de l'angle de tête de ventilation (Fig. 6)

L'angle de la tête de ventilation est réglable. La plage de mouvement de la tête de ventilation est telle qu'indiquée sur la figure.

NOTE :

- Ne tournez pas la tête de ventilation au-delà de cette plage de mouvement.

Accrochage du ventilateur (Fig. 7)

Utilisez le crochet de la poignée pour accrocher le ventilateur sans fil à une tige ou autre emplacement utilisable. Pour éviter que le ventilateur sans fil ne tombe accidentellement, attachez une courroie au trou pour sangle (4) et serrez-la fermement.

 **ATTENTION :**

- Ne jamais accrocher le ventilateur sans fil dans des emplacements élevés ou sur des surfaces où l'outil risque d'être en déséquilibre et de tomber.
- Pour accrocher le ventilateur sans fil, utilisez un matériau dur tel qu'une tige métallique. Le diamètre de la tige d'accrochage doit être inférieur à 24 mm (15/16") et elle doit pouvoir supporter 5,6 kg (12,4 lb). Ne pas accrocher le ventilateur sans fil plus haut que 2,3 m (7,6 pi).

Montage sur un trépied (Fig. 8, Fig. 9)

Le ventilateur sans fil peut être monté sur certains trépieds Makita.

Si vous utilisez le trépied avec l'arbre fileté 5/8"-11 UNC, montez le ventilateur sans fil en utilisant le trou de vis A (15).

Si vous utilisez le trépied pour lampe de travail Makita, montez le ventilateur sans fil en fixant la vis à oreilles (19) dans le trou de vis B (16).

Montage mural (Fig. 8, Fig. 9)

Préparez deux vis et fixez-les au mur, tel qu'indiqué sur la figure. Accrochez le ventilateur sans fil en utilisant les trous pour montage mural (17).

 **ATTENTION :**

- Lorsque vous accrochez le ventilateur sans fil au mur, débranchez-le et retirez la batterie.
- Choisissez soigneusement un mur stable pour y monter le ventilateur sans fil. Assurez-vous que le ventilateur sans fil est fermement accroché au mur.
- Retirez toujours le ventilateur sans fil du mur lors de l'insertion et du retrait de la batterie. Autrement, le ventilateur sans fil risque de tomber et de causer une blessure.
- Ce ventilateur est conçu pour être monté en un point élevé et installé de sorte que les pales se trouvent à plus de 2,3 m au-dessus du plancher ou des fenêtres.

MAINTENANCE

AVERTISSEMENT

- Pour les réparations, faites appel à un centre de service après-vente agréé Makita ; celui-ci réparera l'appareil avec des pièces de rechange identiques aux pièces originales. L'utilisation de toute autre pièce peut être dangereuse ou endommager l'appareil.
- Pour éviter de subir une blessure grave, vous devez toujours débrancher l'adaptateur secteur ou retirer la batterie de l'appareil avant d'effectuer son nettoyage ou sa maintenance.
- Laissez refroidir complètement le ventilateur sans fil avant de le ranger ou d'effectuer tout travail d'inspection, d'entretien ou de nettoyage.

MAINTENANCE GÉNÉRALE

Évitez d'utiliser des solvants pour nettoyer les pièces en plastique. La plupart des plastiques peuvent être endommagés par les solvants disponibles dans le commerce. Une fois le ventilateur portable refroidi, utilisez un chiffon propre pour enlever les saletés, les poussières, les taches d'huile ou de graisse, etc.

AVERTISSEMENT

- Ne laissez jamais les pièces en plastique entrer en contact avec des substances telles que le liquide de frein, l'essence, les produits à base de pétrole, les huiles pénétrantes, etc. Les produits chimiques peuvent endommager, affaiblir ou détruire le plastique, ce qui comporte un risque de blessure grave.
- Toutes les pièces doivent être remplacées dans un centre de service après-vente agréé.

RANGEMENT

Pour éviter les incendies et brûlures, laissez refroidir complètement le ventilateur portable avant de le ranger. Ne pas ranger trop longtemps une batterie déchargée, car cela peut réduire sa durée de service.

Pour toute question de nature technique, veuillez contacter l'agent de vente.

Para evitar heridas graves, lea y entienda todas las advertencias e instrucciones antes de utilizarlo.

GUARDE ESTE MANUAL

Necesitará este manual para las advertencias de seguridad, precauciones, procedimientos de montaje, operación, inspección, mantenimiento y limpieza, y la lista de las partes. Guarde este manual en un lugar seguro y seco para consultarlo en el futuro.

ADVERTENCIA Y NORMAS DE SEGURIDAD

IMPORTANTE

INSTRUCCIONES DE SEGURIDAD

Cuando utilice un aparato eléctrico, deberá observar siempre unas precauciones básicas, incluyendo lo siguiente:

LEA TODAS LAS INSTRUCCIONES ANTES DE UTILIZAR ESTE APARATO.

ADVERTENCIA – Para reducir el riesgo de incendio, descarga eléctrica o heridas:

1. No lo exponga a la lluvia. Almacénelo en interiores.
2. No permita que sea utilizado como juguete. Es necesario prestar buena atención cuando sea utilizado por o cerca de niños.
3. Utilícelo solamente como se describe en este manual. Utilice solamente acoplamientos recomendados por el fabricante.
4. No lo utilice con una batería dañada. Si el aparato no está funcionando como debería porque se le ha caído, se ha dañado, lo ha dejado en exteriores, o se ha caído al agua, llévelo a un centro de servicio.
5. No maneje el aparato con las manos mojadas.
6. No ponga ningún objeto en las aberturas.
7. Mantenga el cabello, ropa holgada, dedos y todas las partes de su cuerpo alejados de las aberturas y las partes en movimiento.
8. Apague todos los controles antes de extraer la batería.
9. Utilice solamente el adaptador de CA o el cargador suministrados por el fabricante. Los accesorios que pueden ser apropiados para un ventilador inalámbrico, pueden resultar peligrosos cuando se utilicen en otros.
10. No cargue la batería en exteriores.
11. Este aparato no ha sido pensado para ser usado por personas (incluidos niños) con sus capacidades físicas, sensoriales o mentales mermadas, o sin experiencia y conocimiento, a menos que una persona responsable de su seguridad las supervise o les dé instrucciones sobre el uso del aparato.
12. Los niños pequeños deberán ser supervisados para asegurarse de que no juegan con el aparato.
13. No lo exponga al fuego ni a altas temperaturas.
14. No lo utilice cerca de llamas libres, brasas fulgurantes ni en atmósferas explosivas, tales como en presencia de líquidos, gases o polvo inflamables. Los ventiladores inalámbricos crean chispas que pueden prender fuego al polvo o los gases.

Este aparato está pensado para ser utilizado en el hogar.

NORMAS DE SEGURIDAD ADICIONALES

1. Lea este manual de instrucciones y el manual del cargador atentamente antes de utilizarlo.
2. Detenga la operación inmediatamente si nota algo anormal.
3. Si deja caer o golpea el ventilador, compruébelo atentamente para ver si tiene grietas o daños antes de utilizarlo.
4. No lo acerque a estufas u otras fuentes de calor.
5. No lo utilice si está roto, doblado, agrietado o si hay partes que están dañadas. Cualquier ventilador inalámbrico que parezca estar dañado de cualquier manera o que su funcionamiento no sea normal se deberá dejar de utilizar inmediatamente. Inspecciónelo antes de cada utilización.
6. No deje el ventilador inalámbrico con la corriente conectada sin atenderlo.

- No maltrate el adaptador de CA. No utilice nunca el cable del adaptador para transportar el ventilador ni para desenchufar la clavija de la toma de corriente. Mantenga el adaptador de CA alejado del calor, aceite, bordes cortantes o partes en movimiento. Reemplace el adaptador dañado inmediatamente. El adaptador dañado aumentará el riesgo de que se produzca una descarga eléctrica.

LEA Y GUARDE ESTAS INSTRUCCIONES

UTILIZACIÓN Y CUIDADO DEL VENTILADOR INALÁMBRICO

- Utilice el ventilador inalámbrico correcto para su aplicación. No utilice el ventilador con un propósito para el que no ha sido pensado.
- El ventilador inalámbrico puede funcionar con el adaptador de CA suministrado o con el cartucho de batería de **ion de litio de 10,8 V–12 V máx.** proporcionado por Makita. La utilización de cualquier otra batería puede crear un riesgo de incendio. Recargue la batería solamente con el cargador especificado.
- Guarde el ventilador inalámbrico que no esté utilizando fuera del alcance de los niños y otras personas no preparadas.
- Desconecte el cartucho de batería o el adaptador de CA de la toma de corriente antes de almacenar el ventilador. Tales medidas de seguridad preventiva podrán reducir el riesgo de que el ventilador pueda ser puesto en marcha accidentalmente. Desenchufe siempre el ventilador de su toma de corriente antes de realizar cualquier procedimiento de inspección, mantenimiento, o limpieza.
- Cuando el cartucho de batería no esté siendo utilizado, manténgalo alejado de otros objetos metálicos. Si se cortocircuitan los terminales de la batería podrán producirse chispas, quemaduras o un incendio.
- Desenchufe la unidad y deje que se enfríe antes de intentar realizar cualquier tipo de limpieza o mantenimiento.

SERVICIO

- El servicio del ventilador inalámbrico deberá ser realizado solamente por personal de reparación cualificado. Un servicio o mantenimiento realizado por personal no cualificado podrá resultar en un riesgo de sufrir heridas.
- Cuando haga el servicio al ventilador inalámbrico, utilice solamente piezas de repuesto idénticas. La utilización de piezas no autorizadas o el no seguir las instrucciones de mantenimiento puede crear un riesgo de descarga eléctrica o heridas.

ESPECIFICACIONES

Cartucho de batería	Batería de ion de litio recargable de Makita de 10,8 V–12 V máx.	
Adaptador de CA	Entrada: 100–240V, 50/60 Hz, 0.6 A máx.; Salida: 12 V, 1.5 A	
Dimensiones (La x An x Al)	Sin batería	148 mm x 260 mm x 252 mm (5-7/8" x 10-1/4" x 9-7/8")
	Con la batería BL1016/ BL1021B	149 mm x 260 mm x 252 mm (5-7/8" x 10-1/4" x 9-7/8")
	Con la batería BL1041B	168 mm x 260 mm x 252 mm (6-5/8" x 10-1/4" x 9-7/8")
Peso neto	1,2–1,4 kg (2,7–3,1 lbs)	

- El peso puede variar en función de los accesorios, incluido el cartucho de batería. En la tabla se muestra la combinación de peso más ligero y más pesado conforme al procedimiento 01/2014 de EPTA.

TIEMPO DE FUNCIONAMIENTO DE LA BATERÍA

Solamente se refiere a los siguientes tipos de baterías provistas por Makita.

Abajo se muestra el tiempo de funcionamiento estimado de la batería completamente cargada:

Velocidad del aire	Batería		
	BL1016	BL1021B	BL1041B
Alta	Aprox. 105 min	Aprox. 135 min	Aprox. 275 min
Media	Aprox. 145 min	Aprox. 190 min	Aprox. 380 min
Baja	Aprox. 240 min	Aprox. 315 min	Aprox. 630 min

DESCRIPCIÓN DE LAS PIEZAS (Fig. 1–5, Fig. 7–9)

- | | | |
|---|------------------------------------|---|
| 1. Botón interruptor de la alimentación | 2. Indicador de velocidad | 3. Botón de cambio de velocidad |
| 4. Orificio para la correa | 5. Mango | 6. Ranura de la batería |
| 7. Gancho | 8. Conector de 12 V CC | 9. Adaptador de CA |
| 10. Botón | 11. Indicador rojo | 12. Cartucho de batería |
| 13. Luz indicadora | 14. Botón de verificación | 15. Orificio del tornillo A (5/8"-11 UNC) |
| 16. Orificio del tornillo B | 17. Orificio para montaje de pared | 18. Hendidura para el punto de enganche |
| 19. Tornillo de mariposa | | |

MODO DE OPERACIÓN DE LA UNIDAD



ADVERTENCIA

- No permita que la familiaridad con las herramientas lo vuelva descuidado. Recuerde que un descuido de una fracción de segundo es suficiente para infligirle graves heridas.
- No utilice ninguna batería, aditamento o accesorio que no estén recomendados por el fabricante de esta herramienta. El uso de baterías, aditamentos o accesorios no recomendados podrían ocasionar lesiones personales graves.
- No manipule el cable ni la batería si sus manos están húmedas o grasosas.
- Nunca utilice el ventilador inalámbrico si el cable o la clavija están dañados.
- No deje el adaptador de CA desconectado del ventilador inalámbrico mientras haya suministro de corriente de la red eléctrica. Los niños pequeños podrían introducir la clavija con corriente en su boca pudiendo sufrir alguna lesión.
- Cuando inserte o retire la batería o conecte o desconecte el adaptador de CA, coloque siempre el ventilador inalámbrico sobre una superficie plana y estable.

Este ventilador está equipado con un control de 3 velocidades que utiliza el interruptor de velocidad. El suministro de alimentación se puede realizar con el adaptador de CA o el cartucho de batería (ACCESORIOS OPCIONALES).

UTILIZACIÓN DEL ADAPTADOR DE CA

Inserte la clavija de 12 V CC del adaptador de CA en el conector de 12 V CC (Fig. 2), y después enchufe la clavija de CA a una toma de corriente. Asegúrese de que el voltaje nominal de la toma de corriente corresponde con el del adaptador.

GUARDE ESTAS INSTRUCCIONES

Una vez que el adaptador de CA es conectado, el ventilador inalámbrico puede tardar de 3 a 5 segundos para ponerse en marcha.

Es posible que el adaptador cruja mientras se está utilizando para el suministro de alimentación. Esto no afectará al uso normal.

El adaptador de CA suministrado no carga la batería insertada en ventilador inalámbrico.

USO DEL CARTUCHO DE BATERÍA

CON EL FIN DE ASEGURAR EL MÁXIMO RENDIMIENTO DE LA BATERÍA, SE RECOMIENDA QUE EL CARTUCHO DE BATERÍA SEA CARGADO ANTES DE SER UTILIZADO POR PRIMERA VEZ.

1. Antes de utilizar el cartucho de batería, lea todas las instrucciones e indicaciones de precaución sobre (1) el cargador de baterías, (2) la batería, y (3) el producto con el que se utiliza la batería.
2. No desarme el cartucho de batería.
3. Si el tiempo de uso del cartucho de batería se acorta demasiado, deje de usarlo inmediatamente. Podría resultar en un riesgo de sobrecalentamiento, posibles quemaduras o incluso una explosión.
4. Si entra electrolito en sus ojos, aclárelos con agua limpia y acuda a un médico inmediatamente. Existe el riesgo de poder perder la vista.
5. No cortocircuite el cartucho de batería:
 - (1) No toque los terminales con ningún material conductor.
 - (2) Evite guardar el cartucho de batería en un cajón junto con otros objetos metálicos, tales como clavos, monedas, etc.
 - (3) No exponga el cartucho de batería al agua ni a la lluvia.Un cortocircuito en la batería puede producir una gran circulación de corriente, un sobrecalentamiento, posibles quemaduras e incluso una rotura de la misma.
6. No guarde la herramienta y el cartucho de batería en lugares donde la temperatura pueda alcanzar o exceder los 50 °C (122 °F).
7. Nunca incinere el cartucho de batería incluso en el caso de que esté dañado seriamente o ya no sirva en absoluto. El cartucho de batería puede explotar si se tira al fuego.
8. Tenga cuidado de no dejar caer ni golpear el cartucho de batería.
9. No utilice una batería dañada.
10. Nunca recargue un cartucho de batería que esté completamente cargado. La sobrecarga acortará la vida útil de la batería.
11. Las baterías de ion de litio incluidas están sujetas a los requerimientos de la legislación referentes a mercancías peligrosas. Para fines de transporte comercial, p. ej., mediante terceros o transportistas, se debe cumplir con el requerimiento especial relativo al empaque y etiquetado. Durante los preparativos del artículo que va a ser despachado, es necesario consultar a un experto en materiales peligrosos. Asimismo, deben tomarse en cuenta algunas regulaciones nacionales posiblemente más detalladas. Oculte o cubra con cinta los contactos abiertos y empaque la batería de tal manera que no pueda moverse dentro del empaque.
12. Consulte su reglamento local en relación con el desecho de la batería.

GUARDE ESTAS INSTRUCCIONES



PRECAUCIÓN: Utilice únicamente baterías originales de Makita.

El uso de baterías no originales de Makita, o baterías que hayan sido alteradas, puede provocar que la batería explote ocasionando incendios, lesiones personales y daños. Asimismo, esto invalidará la garantía de Makita para la herramienta y el cargador Makita.

Consejos para alargar al máximo la vida de servicio de la batería:

1. Cargue el cartucho de batería antes de que se descargue completamente. Detenga siempre la operación y cargue el cartucho de batería cuando note menos potencia en la herramienta.
2. Nunca recargue un cartucho de batería que esté completamente cargado. La sobrecarga acortará la vida útil de la batería.
3. Cargue el cartucho de batería a una temperatura ambiente de 10 °C – 40 °C (50 °F – 104 °F). Si un cartucho de batería está caliente, déjelo enfriar antes de cargarlo.
4. Cargue el cartucho de batería si éste no ha sido utilizado por un período prolongado (más de seis meses).

Instalación o extracción del cartucho de batería (Fig. 3)

Apague siempre la herramienta antes de instalar o extraer el cartucho de batería.

Para extraer el cartucho de batería, deslícelo de la herramienta al mismo tiempo que desliza el botón (10).

Asegúrese de sostener el ventilador inalámbrico cuando deslice hacia afuera el cartucho.

Para instalar el cartucho de batería, alinee la lengüeta del cartucho de batería con la ranura de la caja y deslícelo hasta que encaje en su sitio. Insértelo siempre a tope hasta que se bloquee en su sitio produciendo un pequeño chasquido. Si puede ver el indicador rojo (11) en el lado superior del botón, quiere decir que no ha quedado asegurado por completo. Instálelo completamente hasta que el indicador rojo (11) no pueda verse. En caso contrario, podrá caerse accidentalmente de la herramienta y ocasionarle heridas a usted o a alguien que esté cerca de usted.







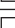
No emplee fuerza cuando instale el cartucho de batería. Si el cartucho no se desliza al interior fácilmente, será porque no está siendo insertado correctamente.

Para utilizar el ventilador inalámbrico empleando un cartucho de batería, consulte las instrucciones del adaptador de CA.

Indicación de la capacidad restante de la batería (Fig. 4)

Únicamente para cartuchos de batería con el indicador

Oprima el botón de verificación (14) en el cartucho de batería para indicar la capacidad restante de la batería. Las luces indicadoras (13) se encenderán durante algunos segundos.

Luces indicadoras		Capacidad restante
Encendida	Apagada	
		75% a 100%
		50% a 75%
		25% a 75%
		0% a 25%

NOTA:

- Dependiendo de las condiciones de uso y la temperatura ambiente, la indicación puede variar ligeramente de la capacidad real.
- La protección contra la sobredescarga de la batería se activará cada vez que la capacidad de la batería se reduzca. En este caso, el ventilador inalámbrico se detendrá automáticamente. Si el ventilador inalámbrico no funciona aun cuando el interruptor esté activado, retire la batería de la herramienta y cárguela.

Arranque / detención del ventilador (Fig. 1)

Oprima el botón del interruptor de alimentación (1) para encender el ventilador. Oprima nuevamente el botón del interruptor de alimentación para apagar el ventilador.

Cambio de la velocidad del aire (Fig. 5)

Oprima el botón de cambio de velocidad (3) mientras el ventilador esté funcionando. La velocidad del aire aumentará cada vez que usted oprima el botón. La velocidad del aire regresará a la velocidad más baja después de funcionar en la velocidad más alta.

El ventilador inalámbrico comenzará en la misma velocidad del ajuste anterior.

Ajuste del ángulo de la cabeza del ventilador (Fig. 6)

El ángulo de la cabeza del ventilador es ajustable. El rango de movimiento de la cabeza del ventilador se muestra en la ilustración.

NOTA:

- No gire la cabeza del ventilador más allá de su rango de movimiento.

Colgado del ventilador (Fig. 7)

Utilice el gancho en el mango para colgar el ventilador inalámbrico en algún poste u otro lugar donde pueda colocarse. Para evitar que el ventilador inalámbrico se caiga accidentalmente, fíjelo con una correa usando el orificio para la correa (4) y asegúrelo.

 **PRECAUCIÓN:**

- Nunca cuelgue el ventilador inalámbrico en lugares elevados ni en superficies donde la herramienta pueda perder la estabilidad y caerse.
- Para colgar el ventilador inalámbrico, utilice un material resistente tal como un poste de metal. El diámetro del poste de enganche deberá ser menor a 24 mm (15/16") y deberá resistir 5,6 kg (12,4 lbs). Evite colgar el ventilador inalámbrico a una altura mayor de 2,3 m (7,6 pies).

Montaje en un trípode (Fig. 8, Fig. 9)

El ventilador inalámbrico puede montarse sobre algunos trípodes de Makita.

Cuando utilice el trípode con el eje roscado de 5/8"-11 UNC, monte el ventilador inalámbrico usando el orificio del tornillo A (15).

Cuando utilice el trípode de Makita para trabajo ligero, monte el ventilador inalámbrico fijando el tornillo de mariposa (19) en el orificio del tornillo B (16).

Montaje en una pared (Fig. 8, Fig. 9)

Prepare dos tornillos y fíjelos en la pared tal como se muestra en la ilustración. Cuelgue el ventilador inalámbrico usando los orificios para el montaje de pared (17).

 **PRECAUCIÓN:**

- Desconecte y retire la batería del ventilador inalámbrico cuando vaya a colgarlo en la pared.
- Elija con cuidado una pared estable para montar el ventilador inalámbrico. Asegúrese de que el ventilador inalámbrico quede firmemente enganchado en la pared.

- Retire siempre el ventilador inalámbrico de la pared cuando vaya a instalar o extraer la batería. De lo contrario, el ventilador inalámbrico podría caerse y ocasionar alguna lesión.
- Este ventilador está diseñado para montarse en un nivel alto y debe ser instalado de manera que las aspas estén a más de 2,3 m por encima del suelo o las ventanas.

MANTENIMIENTO



ADVERTENCIA

- Cuando tenga que hacer el servicio de mantenimiento, pregunte en centros de servicio autorizados por Makita y con piezas de repuesto idénticas solamente. La utilización de cualquier otra pieza podrá crear un riesgo u ocasionar daños al producto.
- Para evitar heridas personales graves, retire siempre el adaptador de CA o el cartucho de batería de la unidad cuando la vaya a limpiar o realizar cualquier mantenimiento.
- Permita que el ventilador inalámbrico se enfríe por completo antes de realizar cualquier tarea de inspección, mantenimiento, procedimiento de limpieza o almacenamiento.

MANTENIMIENTO GENERAL

Evite utilizar disolventes cuando limpie partes de plástico. La mayoría de los plásticos son susceptibles a dañarse con varios tipos de disolventes comerciales y podrán dañarse con su utilización. Después de que el ventilador portátil se enfríe, utilice paños limpios para quitar la suciedad, el polvo, el aceite, la grasa, etc.



ADVERTENCIA

- No permita en ningún momento que líquido de frenos, gasolina, productos a base de petróleo, aceites de penetración, etc., entren en contacto con las partes de plástico. Los productos químicos pueden dañar, debilitar o destruir los plásticos, lo que puede resultar en heridas personales graves.
- Todas las partes deberán ser reemplazadas en un Centro de Servicio Autorizado.

ALMACENAMIENTO

Para evitar un incendio o quemaduras, deje que el ventilador portátil se enfríe completamente antes de almacenarlo. No almacene una batería descargada durante largo tiempo, porque podrá acortarse su vida de servicio.

Para cuestiones técnicas, póngase en contacto con el agente de ventas.

Makita Corporation
3-11-8, Sumiyoshi-cho,
Anjo, Aichi 446-8502 Japan
www.makita.com