

USER'S MANUAL

Have Technical Questions?

If you have questions, or require technical service, please contact our trained service technicians at:

1-314-679-4200 ext. 4782

Monday - Friday 7:30 am to 4:15 pm CST

Visit our website at www.mityvac.com for new products, catalogs and instructions for product use.

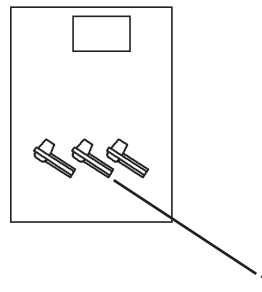
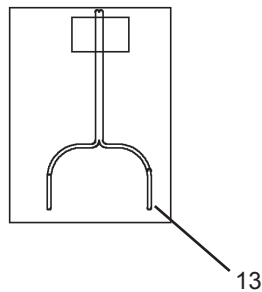
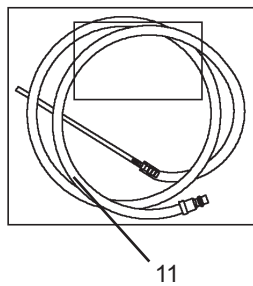
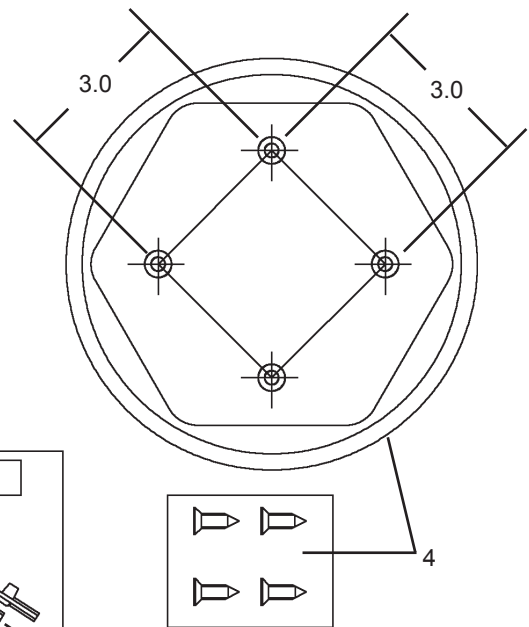
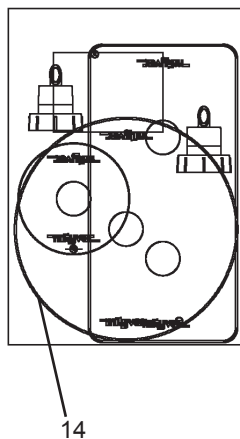
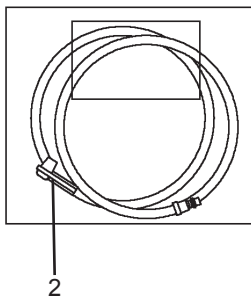
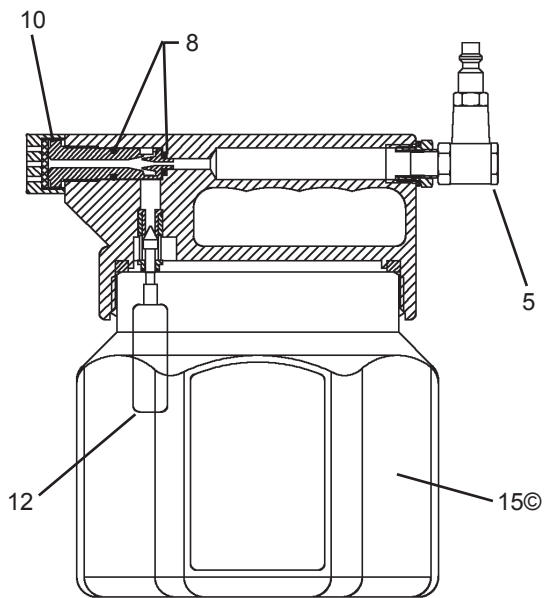
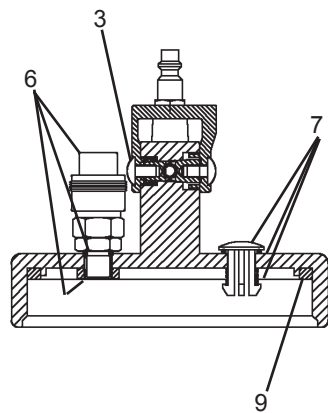
Need Service Parts?

To order replacement or service parts, visit us online at www.mityvacparts.com or call toll free 1-800-992-9898.

SPECIFICATIONS

Reservoir Capacity:	1.9 quarts (1.8 liters)
Bleed Tube Length:	72 in. (1830 cm)
Evac Tube Length:	48 in. (1220 cm)
Working Pressure:	60 to 150 psi (4.1 to 10.3 bar)
Air Consumption:	4.3 scfm @ 90 psi (2.0 l/s @ 6.2 bar)
Vacuum	
@ 30 psi (2.0 bar):	6.5 in. hg (22 kpa)
@ 60 psi (4.1 bar):	16.5 in. hg (56 kpa)
@90 psi (6.2 bar):	26.5 in. hg (90 kpa)
@150 psi (10.3 bar):	27 in. hg (91 kpa)
Fill Rate	
@ 30 psi (2.0 bar):	24.5 oz/min (725 ml/min.)
@ 60 psi (4.1 bar):	49.5 oz/min (1460 ml/min.)
@90 psi (6.2 bar):	70.5 oz/min (2095 ml/min.)
@150 psi (10.3 bar):	70.5 oz/min (2095 ml/min.)





BRAKE BLEEDER KIT COMPONENTS

Item	Part No.	Description	Item	Part No.	Description
1	822664	BRAKE BLEEDING ADAPTER	8	822705	O-RING KIT
2	822694	BLEEDING TUBE KIT	9	822706	RESERVOIR GASKET KIT
3	822700	VALVE KIT	10	822709	MUFFLER KIT
4	822701	BASE KIT	11	822722	SUCTION TUBE KIT
5	822702	COUPLER SWIVEL KIT	12	822731	FLOAT KIT
6	822703	COUPLER KIT	13	822753	HOOK KIT
7	822704	VENT KIT	14	MVA6825	FLUID REFILL KIT
			15©	822842	RESERVOIR

© Indicates change

Important Precautions

- Always read carefully and understand instructions prior to using this equipment
- Brake fluid is highly corrosive. Wear gloves and approved safety goggles at all times, and prevent contact of the fluid with painted surfaces.
- Consult and follow the vehicle manufacturer's recommended procedures when servicing any hydraulic system.
- Do not use this unit with flammable liquids or with fluids at temperatures above 175° Fahrenheit (80° Celsius).
- Properly dispose of old fluids, and replenish hydraulic systems with new brake fluid from freshly opened containers.
- Do not attempt to pressurize the bleeder/evacuator. It is designed for vacuum use only.
- This unit is equipped with an automatic shut-off device that will prevent fluid from entering the compressed air stream and ejecting through the exhaust. However, if the unit is continuously operated when the reservoir is full, residual pressure will allow the reservoir to completely fill with fluid, creating the potential for spillage when the lid is removed. To prevent this situation, empty or turn the unit off prior to filling the reservoir completely full.
- © • The screws included in Base Kit 822701 are provided to secure the base to a work surface. Do not use the screws to attach the base to the reservoir.

Principal of Operation

This unit is designed for use as a vacuum brake or clutch bleeder, or fluid evacuator. It utilizes compressed air between 60 psi (4.1 bar) and 150 psi (10.3 bar), and a venturi system, to build vacuum in the reservoir. By attaching the proper accessory to the coupler located on the top of the unit, the vacuum can be used to drain brake fluid from a hydraulic system such as the brake or clutch systems on an automobile. It can also be used to evacuate a variety of fluids from reservoirs including the master cylinder or those for power steering fluid or engine coolant.

An automatic master cylinder refill kit is included with this unit. It is conveniently designed for use with a standard bottle of brake fluid, to maintain an adequate fluid level in the master cylinder while the hydraulic system is bled. Instructions are included with the kit for its use.

Instructions for Bleeding Brakes

IMPORTANT: This unit is designed for servicing a variety of vehicles in a safe, convenient manner. However, options such as load sensors or anti-lock brakes, available on many automobiles, may require additional steps or equipment to perform a proper service job. The procedures below are to serve as guidelines for the use of this equipment, in addition to these guidelines, always follow the manufacturer's recommended procedures when servicing each unique vehicle.

Removing old fluid from the brake master cylinder

1. Properly park the vehicle on level ground and turn the engine off.
2. Clean the exterior of the master cylinder and master cylinder cap to prevent dirt from entering the master cylinder when the cap is removed.
3. Remove the cap from the master cylinder reservoir.
4. Connect clean, regulated (60 psi (4.1 bar) to 150 psi (10.3 bar)) compressed air to the male quick disconnect nipple attached to the swivel air inlet, located on one end of the vacuum bleeder handle.
5. Connect the appropriate end of the evac tube assembly to the female quick disconnect coupler located on top of the vacuum bleeder.
6. Insert the other end of the evac tube assembly into the master cylinder fluid reservoir, and push the vacuum bleeder throttle forward to start the vacuum (allow a few seconds for vacuum to build in the bleeder reservoir before suction occurs). While evacuating the old fluid, stir it up to break loose and remove any sludge that has accumulated on the bottom and walls of the master cylinder.
7. Once all fluid is removed, turn off the bleeder and refill the master cylinder with new manufacturer's recommended brake fluid.

© Indicates change

Vacuum bleed brake lines and wheel brake cylinders

Note: Prior to bleeding, ensure the master cylinder is full of new manufacture's recommended brake fluid. An automatic master cylinder refill kit is included with the vacuum bleeder to maintain the level of new fluid in the master cylinder during the brake bleeding process. Follow the instructions included with the kit to prevent air from being sucked into the master cylinder pistons, brake lines, and wheel cylinders while bleeding the brakes. Additional automatic refill kits are available from Mityvac.

1. Properly position the vehicle for safe convenient access to the brake bleed screw located on each wheel brake cylinder.
2. Make sure that all bleed screws are clean.
3. Connect clean, regulated (60 psi (4.1 bar) to 150 psi (10.3)) compressed air to the male quick disconnect nipple attached to the swivel air inlet, located on one end of the vacuum bleeder handle.
4. Connect the appropriate end of the bleed tube assembly to the female quick disconnect coupler located on top of the vacuum bleeder.

Note: Consult the vehicle manufacturer's guidelines for the proper wheel bleeding sequence and vacuum bleeding procedure.

5. Slip the bleed screw adapter located on the opposite end of the bleed tube assembly, over the nipple of the bleed screw.
6. Operate the vacuum bleeder by pushing the throttle forward (allow a few seconds for vacuum to build in the bleeder reservoir before suction occurs), and with the appropriate wrench, loosen/open the bleed screw slightly, until fluid is visibly draining through the bleed hose and into the reservoir.

Note: During the bleeding process, as brake fluid is being vacuumed through the bleed screw, air will also be sucked into the bleed tube from around the bleed screw threads. This can give the misconception that air is bleeding from the lines, however it is normal and does not

indicate a malfunction. To prevent or reduce this introduction of air, coat the bleed screw threads with silicon grease prior to bleeding.

7. Keep the bleed screw open until new fluid is visibly flowing through the bleed tube (typically 20 to 30 seconds).
8. Close the bleed screw firmly, without over tightening, prior to removing the bleed screw adapter or shutting off the bleeder.

Note: It is important to ensure that the bleed screw adapter remains connected to the bleed screw, and the bleeder is still pulling a vacuum while the bleed screw is closed. This prevents air from being sucked back into the wheel cylinder from around the bleed screw threads, before the bleed screw is tightened and sealed.

Note: If an automatic refiller such as the one provided with this unit, is not used, be sure to periodically check the level and top off the brake fluid in the master cylinder.

Instructions for bleeding hydraulic clutch system

IMPORTANT: This unit is designed for servicing a variety of vehicles in a safe, convenient manner. However, hydraulic clutch systems vary between vehicles, in design, in components, and even the location and design of the bleed screw. Due to these differences, the following procedures are to serve only as a guideline for the use of this equipment. In addition to these guidelines, always follow the manufacturer's recommended procedures when servicing each unique vehicle.

Removing old fluid from the clutch master cylinder

1. Properly park the vehicle on level ground and turn the engine off.
2. Clean the exterior of the master cylinder and master cylinder cap to prevent dirt from entering the master cylinder when the cap is removed.
3. Remove the cap from the master cylinder reservoir.

-
4. Connect clean, regulated (60 psi (4.1 bar) to 150 psi (10.3 bar)) compressed air to the male quick disconnect nipple attached to the swivel air inlet, located on one end of the vacuum bleeder handle.
 5. Connect the appropriate end of the evac tube assembly to the female quick disconnect coupler located on top of the vacuum bleeder.
 6. Insert the other end of the evac tube assembly into the master cylinder fluid reservoir, and push the vacuum bleeder throttle forward to start the vacuum (allow a few seconds for vacuum to build in the bleeder reservoir before suction occurs). While evacuating the old fluid, stir it up to break loose and remove any sludge that has accumulated on the bottom and walls of the master cylinder.
 7. Once all fluid is removed, turn off the bleeder and refill the master cylinder with new manufacturer's recommended brake fluid.
4. Connect the appropriate end of the bleed tube assembly to the female quick disconnect coupler located on top of the vacuum bleeder.
Note: Consult the vehicle manufacturer's guidelines for the proper clutch vacuum bleeding procedure.
 5. Slip the universal bleed screw adapter located on the opposite end of the bleed tube assembly, over the nipple of the bleed screw.
 6. Operate the vacuum bleeder by pushing the throttle forward (allow a few seconds for vacuum to build in the bleeder reservoir before suction occurs), and with the appropriate wrench, loosen/open the bleed screw slightly, until fluid is visibly draining through the bleed hose and into the reservoir.
Note: During the bleeding process, as brake fluid is being vacuumed through the bleed screw, air will also be sucked into the bleeder hose from around the bleed screw threads. This can give the misconception that air is bleeding from the lines, however it is normal and does not indicate a malfunction. To prevent or reduce this introduction of air, coat the bleed screw threads with silicon grease prior to bleeding.
 7. Keep the bleed screw open until new fluid is visibly flowing through the bleed hose.

Vacuum bleed clutch master cylinder, slave cylinder, and hydraulic lines

Note: Prior to bleeding, ensure the master cylinder is full of new manufacturer's recommended brake fluid. An automatic master cylinder refill kit is included with the vacuum bleeder to maintain the level of new fluid in the master cylinder during the clutch bleeding process. Follow the instructions included with the kit to prevent air from being introduced into the master cylinder pistons, slave cylinder, and fluid lines while bleeding the hydraulic clutch system. Additional automatic refill kits are available from Mityvac.

1. Properly position the vehicle for safe convenient access to the clutch bleed screw located on the slave cylinder.
2. Make sure that the slave cylinder bleed screw is clean.
3. Connect clean, regulated (60 psi (4.1 bar) to 150 psi (10.3 bar)) compressed air to the male quick disconnect nipple attached to the swivel air inlet, located on one end of the vacuum bleeder handle.

7. Close the bleed screw firmly, without over tightening, prior to removing the bleed screw adapter or shutting off the bleeder.
Note: It is important to ensure that the bleed screw adapter remains connected to the bleed screw, and the bleeder is still pulling a vacuum while the bleed screw is closed. This prevents air from being sucked back into the slave cylinder from around the bleed screw threads, before the bleed screw is tightened and sealed.
8. Close the bleed screw firmly, without over tightening, prior to removing the bleed screw adapter or shutting off the bleeder.
Note: If an automatic refiller such as the one provided with this unit, is not used, be sure to periodically check the level and top off the brake fluid in the master cylinder.

Lincoln Industrial Standard Warranty

LIMITED WARRANTY

Lincoln warrants the equipment manufactured and supplied by Lincoln to be free from defects in material and workmanship for a period of one (1) year following the date of purchase, excluding there from any special, extended, or limited warranty published by Lincoln. If equipment is determined to be defective during this warranty period, it will be repaired or replaced, within Lincoln's sole discretion, without charge.

This warranty is conditioned upon the determination of a Lincoln authorized representative that the equipment is defective. To obtain repair or replacement, you must ship the equipment, transportation charges prepaid, with proof of purchase to a Lincoln Authorized Warranty and Service Center within the warranty period.

This warranty is extended to the original retail purchaser only. This warranty does not apply to equipment damaged from accident, overload, abuse, misuse, negligence, faulty installation or abrasive or corrosive material, equipment that has been altered, or equipment repaired by anyone not authorized by Lincoln. This warranty applies only to equipment installed, operated and maintained in strict accordance with the written specifications and recommendations provided by Lincoln or its authorized field personnel.

THIS WARRANTY IS EXCLUSIVE AND IS IN LIEU OF ANY OTHER WARRANTIES, EXPRESS OR IMPLIED, INCLUDING, BUT NOT LIMITED TO, THE WARRANTY OF MERCHANTABILITY OR WARRANTY OF FITNESS FOR A PARTICULAR PURPOSE.

In no event shall Lincoln be liable for incidental or consequential damages. Lincoln's liability for any claim for loss or damages arising out of the sale, resale or use of any Lincoln equipment shall in no event exceed the purchase price. Some jurisdictions do not allow the exclusion or limitation of incidental or consequential damages, therefore the above limitation or exclusion may not apply to you.

This warranty gives you specific legal rights. You may also have other rights that vary by jurisdiction.

Customers not located in the Western Hemisphere or East Asia: Please contact Lincoln GmbH & Co. KG, Walldorf, Germany, for your warranty rights.

Lincoln Industrial Contact Information

To find Lincoln Industrial's Nearest Service Center call the following numbers, or you may also use our website.

Customer Service	314-679-4200
Website	lincolnindustrial.com

Americas: One Lincoln Way St. Louis, MO 63120-1578 USA Phone +1.314.679.4200 Fax +1.800.424.5359	Europe/Africa: Heinrich-Hertz-Str 2-8 D-69183 Walldorf Germany Phone +49.6227.33.0 Fax +49.6227.33.259	Asia/Pacific: 25 Int'l Business Park #01-65 German Centre Singapore 609916 Phone +65.562.7960 Fax +65.562.9967	© Copyright 2005 Printed in USA Web site: www.lincolnindustrial.com
---	---	---	--

Mode d'emploi

Vous Avez des Questions Techniques ?
Si vous avez des questions ou vous avez besoin de support technique, merci de bien vouloir appeler nos techniciens au :

1-314-679-4200 poste 4782
Du lundi au vendredi de 7:30 à 16:15 CST

Allez sur notre site Internet www.mityvac.com pour voir les nouveaux produits, les catalogues et les modes d'emploi.

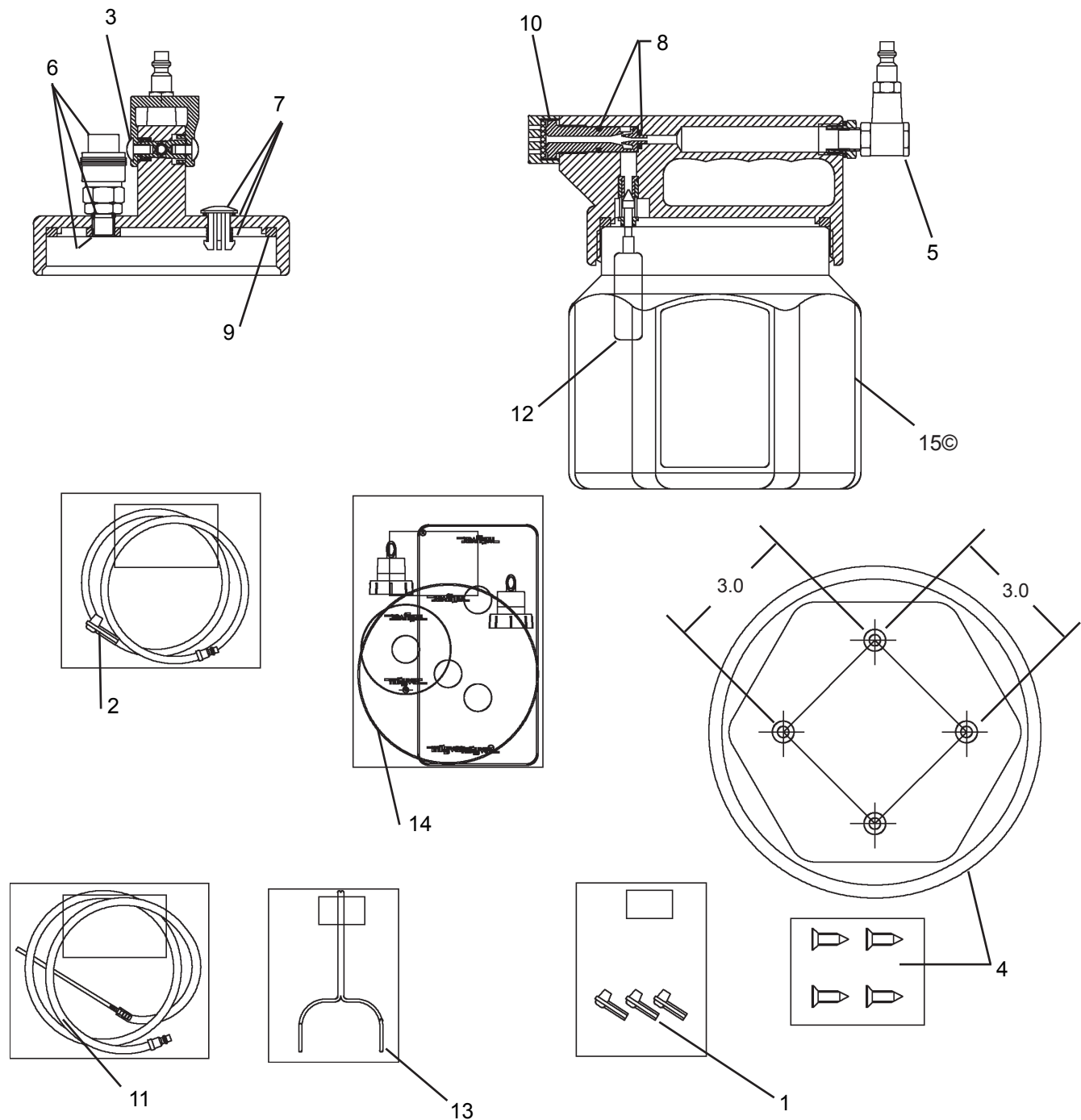
Vous Avez Besoin de Pièces Détachées ?

Pour commander des pièces de rechange ou des pièces détachées, allez sur notre site Internet www.mityvacparts.com ou appelez notre numéro vert au 1-800-992-9898.

Caractéristiques Techniques

Capacité du Réservoir :	1,8 litres (1,9 quarts)
Longueur du Tuyau de Purge :	1.830 cm (72 pouces)
Longueur du Tuyau d'Evacuation :	1.220 cm (48 pouces)
Pression d'utilisation :	4,1 – 10,3 bars (60 – 150 psi)
Consommation d'Air :	
à 6,2 bars (90 psi) :	2,0 l/s (4,3 scfm) Vide
à 2,0 bars (30 psi) :	22 kpa (6,5 pouces hg)
à 4,1 bars (60 psi) :	56 kpa (16,5 pouces hg)
à 6,2 bars (90 psi) :	90 kpa (26.5 pouces hg)
à 10,3 bars (150 psi) :	91 kpa (27 pouces hg)
Taux de Remplissage	
à 2,0 bars (30 psi) :	725 ml/min (24,5 oz/min)
à 4,1 bars (60 psi) :	1.460 ml/min (49,5 oz/min)
à 6.2 bars (90 psi) :	2.095 ml/min (70,5 oz/min)
à 10.3 bars (150 psi) :	2.095 ml/min (70,5 oz/min)





**APPAREIL DE PURGE DES FREINS
COMPOSANTS DE KIT**

Pièce	Code Article	Description	Pièce	Code Article	Description
1	822664	KIT ADAPTATEUR DE VIS DE PURGE	8	822705	KIT JOINT TORIQUE
2	822694	TUYAU DE PURGE	9	822706	KIT JOINT STATIQUE DE RESERVOIR
3	822700	KIT VALVE	10	822709	KIT D'ECHAPPEMENT
4	822701	KIT BASE	11	822722	TUYAU D'EVACUATION
5	822702	KIT COUPLEUR JOINT ARTICULE	12	822731	KIT FLOTTEUR
6	822703	KIT COUPLEUR	13	822753	KIT CROCHET
7	822704	KIT PRISE D'AIR	14	MVA6825	KIT DE REMPLISSAGE DE FUIDE
			15©	822842	RÉSERVOIR

© Indique le changement

Importantes Mesures de Sécurité

- Toujours lire soigneusement et comprendre les instructions avant d'utiliser l'équipement.
 - Le liquide de frein est extrêmement corrosif. Porter des gants et des lunettes de sécurité tout le temps. Éviter que le liquide soit en contact avec des surfaces peintes.
 - Consulter et suivre les procédures recommandées par le fabricant du véhicule lors de l'entretien du système hydraulique.
 - Ne pas utiliser cet équipement avec des liquides inflammables ou des fluides ayant une température supérieure à 80° Celsius (175° Fahrenheit).
 - Disposer des fluides usagés de façon correcte et remplir les systèmes hydrauliques avec du liquide de frein neuf provenant de conteneurs ouverts récemment.
 - Ne pas essayer de pressuriser l'appareil de purge/l'évacuateur. Il est conçu pour le vide uniquement.
 - Cet équipement est équipé d'un interrupteur automatique qui empêche le fluide d'entrer dans le jet d'air comprimé et d'être refoulé par l'échappement. Cependant, si cet équipement fonctionne de manière continue, lorsque le réservoir est plein, la pression résiduelle permettra au réservoir de se remplir complètement de fluide, créant un problème de déversement potentiel lorsque le couvercle est enlevé. Pour empêcher que cela arrive, vider ou éteindre l'équipement avant que le réservoir soit plein.
- ©
- Les vis incluses dans le kit bas 822701 sont fournies pour fixer la base à une surface de travail. N'utilisez pas les vis pour attacher la base au réservoir.

Principes d'Utilisation

Cet équipement est conçu pour purger les freins ou l'embrayage ou vidanger les fluides. Il fonctionne avec de l'air comprimé entre 4,1 bars (60 psi) et 10,3 bars (150 psi), et un système venturi, pour créer le vide dans le réservoir. En attachant certains accessoires au coupleur situé en haut de l'unité, le vide peut être utilisé pour drainer des fluides d'un système hydraulique tel qu'un système de freinage ou d'embrayage d'une voiture. Il peut aussi être utilisé pour vidanger une variété de fluides d'un réservoir, y compris le maître-cylindre ou le fluide de servo-direction ou le liquide de refroidissement.

Cet équipement comprend un kit de remplissage automatique du maître-cylindre. Il a été conçu pour accommoder les bouteilles de liquide de frein afin de maintenir un niveau de fluide adéquat dans le maître-cylindre lors de la purge du système hydraulique. Le mode d'emploi est joint avec le kit.

Mode d'Emploi pour Purger les Freins

Important : Cet équipement est conçu pour vous aider à entretenir une variété de véhicules d'une façon sûre et aisée. Cependant, certaines options, telles qu'un capteur de charge ou un système de freinage antiblocage, disponibles sur beaucoup de voitures, peuvent nécessiter certaines procédures additionnelles. Les procédures ci-dessous sont là pour vous aider à utiliser cet équipement, en plus de celles-ci, toujours suivre les procédures recommandées par le fabricant de chaque véhicule.

Enlever les fluides usagés du maître-cylindre de freinage.

1. Garer le véhicule sur un terrain plat et éteindre le moteur.
2. Nettoyer l'extérieur du maître-cylindre et le bouchon du maître-cylindre afin de prévenir que de la saleté entre dans le maître-cylindre lorsque que le bouchon est enlevé.
3. Enlever le bouchon du réservoir du maître-cylindre.
4. Connecter l'air comprimé propre et régularisé (entre 4,1 bars (60 psi) et 10,3 bars (150 psi)) au mamelon male à déconnexion rapide attaché au joint articulé d'admission d'air situé près de la poignée de l'appareil de purge à vide.
5. Connecter le tuyau d'évacuation au coupleur femelle à déconnexion rapide situé sur le dessus de l'appareil de purge à vide.
6. Insérer l'autre bout du tuyau d'évacuation dans le réservoir de fluide du maître-cylindre et pousser la mollette de l'appareil de purge à vide en avant pour commencer le vide (cela prendra quelques secondes afin que suffisamment de vide soit généré dans le réservoir avant que l'aspiration se produise). Lors de la vidange du fluide usagé, remué-le afin de détacher et d'enlever toutes les boues qui se sont accumulées sur le fond et les parois du maître-cylindre.
7. Lorsque tous les fluides sont vidangés, éteindre l'appareil de purge et remplir le maître-cylindre avec du liquide de frein neuf recommandé par le fabricant.

Purger par le vide les conduites de frein et les cylindres de roue

Note : Avant de purger, s'assurer que le maître-cylindre est rempli avec du liquide de frein neuf recommandé par le fabricant. Un kit de remplissage automatique du maître-cylindre est joint avec l'appareil de purge afin de maintenir un niveau de fluide adéquat dans le maître-cylindre lors de la purge des freins. Suivre les instructions jointes avec le kit afin d'empêcher l'air d'être aspiré dans les pistons du maître-cylindre, les conduites de frein, et les cylindres de roue lors de la purge des freins. Les kits de remplissage automatique sont disponibles chez Mityvac.

1. Positionner le véhicule pour accéder à la vis de purge de frein située sur chaque cylindre de roue.
2. S'assurer que toutes les vis de purge sont propres.
3. Connecter l'air comprimé propre et régularisé (entre 4,1 bars (60 psi) et 10,3 bars (150 psi)) au mamelon male à déconnexion rapide attaché au joint articulé d'admission d'air situé près de la poignée de l'appareil de purge à vide.
4. Connecter le tuyau d'évacuation au coupleur femelle à déconnexion rapide situé sur le dessus de l'appareil de purge à vide.

Note : Se référer aux recommandations du fabricant du véhicule pour les procédures de purge à vide.

5. Glisser l'adaptateur de vis de purge situé de l'autre côté du tuyau de purge sur le mamelon de la vis de purge.
6. Faire fonctionner l'appareil de purge à vide en poussant la mollette en avant (cela prendra quelques secondes afin que suffisamment de vide soit généré dans le réservoir avant que l'aspiration se produise). Ouvrir/desserrer légèrement la vis de purge avec une clé jusqu'à ce que du fluide soit drainé par le tuyau de drainage et dans le réservoir.

Note : Durant la procédure de purge, au même moment que le liquide de frein est aspiré par la vis de purge, de l'air sera aussi aspiré dans le tuyau de purge autour du filetage de la vis de purge. Cela peut donner la fausse impression que de l'air fuit des conduites. Ceci est normal et n'indique pas un mauvais fonctionnement.

Pour prévenir ou réduire cette introduction d'air, graisser les filets des vis de purge avec du silicone avant de purger.

7. Garder la vis de purge ouverte jusqu'à ce que du fluide neuf coule du tuyau de purge (généralement entre 20 et 30 secondes).
8. Fermer la vis de purge sans la serrer trop fort avant de retirer l'adaptateur de vis de purge ou éteindre l'appareil de purge.

Note : S'assurer que l'adaptateur de vis de purge reste connecté à la vis de purge, et que l'appareil de purge continue à aspirer lorsque la vis de purge est fermée. Cela prévient que de l'air soit aspiré dans le cylindre de roue autour du filetage de la vis de purge avant que la vis soit serrée et fermée hermétiquement.

Note : Si un système de remplissage automatique (comme celui fourni avec cet équipement) n'est pas utilisé, vérifier périodiquement le niveau et compléter le niveau de liquide de frein dans le maître-cylindre.

Mode d'emploi pour purger un système d'embrayage hydraulique

Important : Cet équipement est conçu pour vous aider à entretenir une variété de véhicules d'une façon sûre et aisée. Cependant, les systèmes d'embrayage hydraulique varient d'un véhicule à un autre au niveau du design, des composants, et de l'emplacement et du design de la vis de purge. Du fait de ces différences, les procédures ci-dessous ne sont là que pour vous aider à utiliser cet équipement. En plus de celles-ci, toujours suivre les procédures recommandées par le fabricant de chaque véhicule.

Enlever les fluides usagés du maître-cylindre d'embrayage

1. Garer le véhicule sur un terrain plat et éteindre le moteur.
2. Nettoyer l'extérieur du maître-cylindre et le bouchon du maître-cylindre afin de prévenir que de la saleté entre dans le maître-cylindre lorsque que le bouchon est enlevé.
3. Enlever le bouchon du réservoir du maître-cylindre.

4. Connecter l'air comprimé propre et régularisé (entre 4,1 bars (60 psi) et 10,3 bars (150 psi)) au mamelon male à déconnexion rapide attaché au joint articulé d'admission d'air situé près de la poignée de l'appareil de purge à vide.
5. Connecter le tuyau d'évacuation au coupleur femelle à déconnexion rapide situé sur le dessus de l'appareil de purge à vide.
6. Insérer l'autre bout du tuyau d'évacuation dans le réservoir de fluide du maître-cylindre et pousser la mollette de l'appareil de purge à vide en avant pour commencer le vide (cela prendra quelques secondes afin que suffisamment de vide soit généré dans le réservoir avant que l'aspiration se produise). Lors de la vidange du fluide usagé, remué-le afin de détacher et d'enlever toutes les boues qui se sont accumulées sur le fond et les parois du maître-cylindre.
7. Lorsque tous les fluides sont vidangés, éteindre l'appareil de purge et remplir le maître-cylindre avec du liquide de frein neuf recommandé par le fabricant.

Purger par le vide le maître-cylindre d'embrayage, le cylindre asservi, et les conduites hydrauliques

Note : Avant de purger, s'assurer que le maître-cylindre est rempli avec du liquide de frein neuf recommandé par le fabricant. Un kit de remplissage automatique du maître-cylindre est joint avec l'appareil de purge afin de maintenir un niveau de fluide adéquat dans le maître-cylindre lors de la purge de l'embrayage. Suivre les instructions jointes avec le kit afin d'empêcher l'air d'être aspiré dans les pistons du maître-cylindre, le cylindre asservi, et les conduites de fluide lors de la purge du système hydraulique d'embrayage. Les kits de remplissage automatique sont disponibles chez Mityvac.

1. Positionner le véhicule pour accéder à la vis de purge de l'embrayage située sur le cylindre asservi.
2. S'assurer que la vis de purge du cylindre asservi est propre.
3. Connecter l'air comprimé propre et régularisé (entre 4,1 bars (60 psi) et 10,3 bars (150 psi)) au mamelon male à déconnexion rapide attaché au joint articulé d'admission d'air situé près de la poignée de l'appareil de purge à vide.

4. Connecter le tuyau d'évacuation au coupleur femelle à déconnexion rapide situé sur le dessus de l'appareil de purge à vide.
Note : Se référer aux recommandations du fabricant du véhicule pour les procédures de purge à vide de l'embrayage.
5. Glisser l'adaptateur de vis de purge universel situé de l'autre côté du tuyau de purge sur le mamelon de la vis de purge.
6. Faire fonctionner l'appareil de purge à vide en poussant la mollette en avant (cela prendra quelques secondes afin que suffisamment de vide soit généré dans le réservoir avant que l'aspiration se produise). Ouvrir/desserrer légèrement la vis de purge avec une clé jusqu'à ce que du fluide soit drainé par le tuyau de drainage et dans le réservoir.

Note : Durant la procédure de purge, au même moment que le liquide de frein est aspiré par la vis de purge, de l'air sera aussi aspiré dans le tuyau de purge autour du filet de la vis de purge. Cela peut donner la fausse impression que de l'air fuit des conduites. Ceci est normal et n'indique pas un mauvais fonctionnement. Pour prévenir ou réduire cette introduction d'air, graisser les filets des vis de purge avec du silicone avant de purger.

7. Garder la vis de purge ouverte jusqu'à ce que du fluide neuf coule du tuyau de purge.
8. Fermer la vis de purge sans la serrer trop fort avant de retirer l'adaptateur de vis de purge ou éteindre l'appareil de purge.

Note : S'assurer que l'adaptateur de vis de purge reste connecté à la vis de purge, et que l'appareil de purge continue à aspirer lorsque la vis de purge est fermée. Cela prévient que de l'air soit aspiré dans le cylindre asservi autour du filet de la vis de purge avant que la vis soit serrée et fermée hermétiquement.

Note : Si un système de remplissage automatique (comme celui fourni avec cet équipement) n'est pas utilisé, vérifier périodiquement le niveau et compléter le niveau de liquide de frein dans le maître-cylindre.

La Garantie Standard de Lincoln Industrial

GARANTIE LIMITEE

Lincoln garantit que l'équipement qu'il fabrique et fournit est sans vice de matériau ou de fabrication durant une période d'un (1) an après la date d'achat, sauf si cet équipement est sous garantie spéciale, prolongée ou limitée publiée par Lincoln. Si l'équipement s'avère défectueux durant la période de garantie, celui-ci sera réparé ou remplacé, à la discrétion de Lincoln, sans frais.

Cette garantie ne s'applique que si un représentant autorisé de Lincoln juge que l'équipement est défectueux. Pour faire réparer ou remplacer votre équipement, vous devez l'expédier tous frais de port payés, avec preuve de date d'achat, au centre de service après-vente autorisé Lincoln durant la période de garantie.

Cette garantie ne couvre que l'acheteur originel. Elle ne couvre pas tout équipement endommagé durant un accident, surcharge, abus, négligence, installation défectueuse ou matériaux abrasifs ou corrosifs. Cette garantie ne couvre pas tout équipement qui a été altéré ou réparé par toute personne qui ne soit pas autorisée par Lincoln. Cette garantie ne s'applique qu'à l'équipement installé et utilisé suivant les recommandations écrites de Lincoln ou de son personnel autorisé itinérant.

CETTE GARANTIE EST EXCLUSIVE ET TENANT POUR TOUTES AUTRES GARANTIES EXPRESSES OU TACITES, Y COMPRIS, MAIS NON LIMITE A, LA GARANTIE DE QUALITÉ MARCHANDE OU LA GARANTIE D'APTITUDE POUR UNE RAISON PARTICULIERE.

Lincoln n'est en aucun cas responsable pour les dommages accessoires ou indirects. La responsabilité de Lincoln ne peut excéder le prix d'achat en cas de perte ou de dommages du à la vente, revente ou utilisation de l'équipement. Certaines juridictions n'acceptent pas d'exclusion ou de limitation sur les dommages accessoires ou indirects, aussi les limitations ou exclusions ci-dessus ne vous concernent pas forcément.

Cette garantie vous donne des droits précis reconnus par la loi. Certaines juridictions peuvent vous donner d'autres droits.

Pour les clients qui ne se trouvent pas dans l'Hémisphère de l'Ouest ou l'Est de l'Asie : Merci de bien vouloir contacter Lincoln GmbH & Co. KG, Walldorf, Allemagne pour faire valoir votre garantie.

Contacteur Lincoln Industrial

Pour trouver votre centre de service après-vente Lincoln Industrial le plus proche, appeler un des numéros suivants, vous pouvez aussi aller sur notre site Internet.

Service Après-Vente 314-679-4200
Site Internet lincolnindustrial.com

Amériques:
One Lincoln Way
St. Louis, MO 63120-1578

Europe/Afrique:
Heinrich-Hertz-Str 2-8
D-69183 Walldorf

Asie/Pacifique:
25 Int'l Business Park
#01-65 German Centre

© Copyright 2004
Imprimé aux USA

BENUTZERHANDBUCH**Haben Sie technische Fragen?**

Wenn Sie Fragen haben oder technische Unterstützung benötigen, wenden Sie sich bitte an unseren geschulten Kundendienst.

Tel: 1-314-4200 Apparat 4782

Montag-Freitag, 7:30 bis 16:15 Zentral-amerikanische Zeit.

Besuchen Sie unsere Website bei www.mityvac.com, um alles über unsere neuesten Produkte, Kataloge und Gebrauchsanweisungen zu erfahren.

Brauchen Sie Ersatzteile?

Um Ersatzteile oder Wartungsbedarf zu bestellen, wenden Sie sich online an uns unter www.mityvacparts.com oder rufen Sie uns gebührenfrei an unter Nr. 1-800-992-9898.

TECHNISCHE DATEN

Behälterkapazität 1.9 Quarts (1,8 l)
Entlüftungs/Absaugschlauch 72 Zoll (1830 cm)
Länge Absaugschlauch 48 Zoll (1220 cm)
Arbeitsdruck 60 – 150 Psi (4.1-10.3 bar)
Luftverbrauch 4.3 scfm @ 90 ps
(2.0l/s @ 6.2 bar)

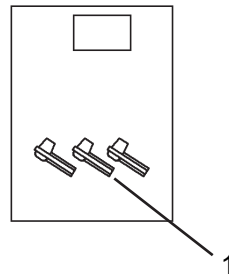
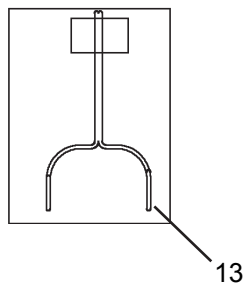
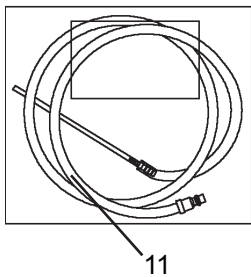
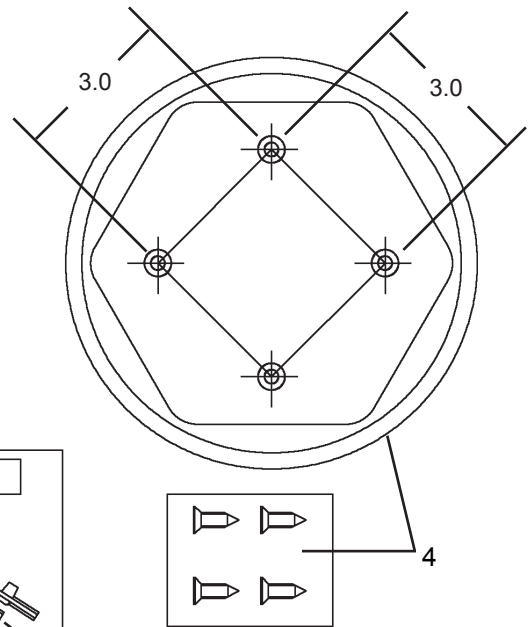
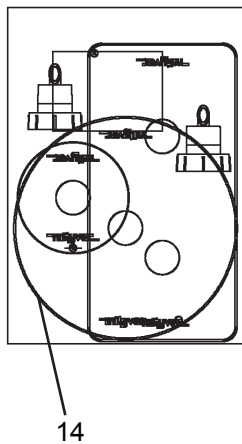
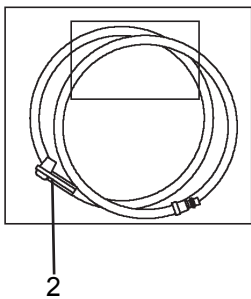
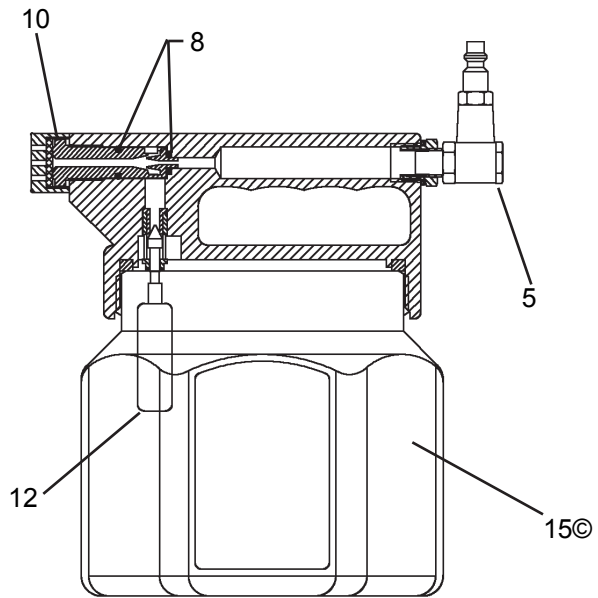
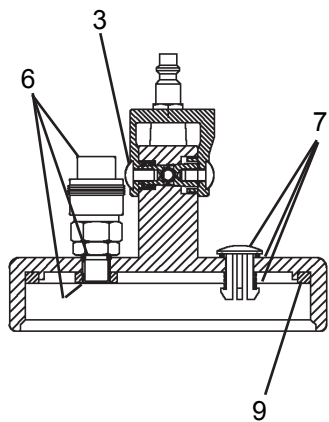
Vakuum

@ 30psi (2.0 bar) 6.5 in. hg (22 kpa)
@ 60 psi (6,2 bar) 16.5 in. hg, (56 kpa)
@ 90 psi (4.1 bar) 26.5 in. hg, (90 kpa)
@ 150 psi (10.3 bar) 27 in. (91 kpa)

Füllrate

@ 30 psi (2.0 bar) 24.5 oz/min
(725 ml/min.)
@60 psi (4.1 bar) 49.5 oz/min
(1460 ml/min.)
@ 90 psi (6.2 bar) 70.50 oz/min,
(2095 ml/min.)
@ 150 psi (10.3 bar) 70.5 oz/min
(2095 ml/min.,)





KOMPONENTEN DES BREMSENENTLÜFTUNGSSATZES

Nr.	Teilnr.	Beschreibung	Nr.	Teilnr.	Beschreibung
1	822664	ENTLÜFTUNGSSCHRAUBEN-ADAPTERSATZ	8	822705	O-RINGSATZ
2	822694	ENTLÜFTUNGSSCHLAUCHEINHEIT	9	822706	BEHÄLTERDICHTUNGSSATZ
3	822700	VENTILSATZ	10	822709	SCHALLDÄMPFERSATZ
4	822701	UNTERTEILSATZ	11	822722	ABSAUGSCHLAUCHEINHEIT
5	822702	ANSCHLUSSDREHSATZ	12	822731	SCHWIMMERSATZ
6	822703	ANSCHLUSS-SATZ	13	822753	HAKENSATZ
7	822704	ENTLÜFTUNGSSATZ	14	MVA6825	FKÜSSIGKEITSNACHFÜLL-SATZ
			15©	822842	VORRATSBEHÄLTER

Wichtige Vorsichtsmaßnahmen

- Vor der Benutzung dieses Gerätes immer die Bedienungsanleitungen sorgfältig lesen und verstehen.
- Bremsflüssigkeit ist sehr korrosiv. Immer Handschuhe und einen anerkannten Augenschutz tragen und verhindern, dass Bremsflüssigkeit mit lackierten Oberflächen in Berührung kommt,
- Die vom Fahrzeughersteller vorgeschriebenen Verfahren zur Wartung eines Hydrauliksystems befolgen.
- Dieses Gerät nicht mit feuergefährlichen Flüssigkeiten oder Flüssigkeiten mit Temperaturen über 175° Fahrenheit (80° Celsius) benutzen.
- Verbrauchte Flüssigkeiten vorschriftsmäßig entsorgen und Hydrauliksysteme immer mit Bremsflüssigkeit aus neu geöffneten Behältern auffüllen.
- Nicht versuchen, das Entlüfter- / Absauggerät unter Druck zu setzen. Es ist nur zur Verwendung unter Vakuumbedingungen bestimmt.
- Diese Einheit ist mit einem automatischen Absperrgerät ausgestattet, das verhindert, dass Flüssigkeit in den Druckluftstrom eindringt und durch den Auspuff ausgespritzt wird. Wird das Gerät jedoch dauernd mit vollem Behälter betrieben, so füllt sich der Behälter durch den Restdruck völlig mit Flüssigkeit, wodurch beim Anheben des Deckels die Gefahr des Überlaufens entsteht. Um diese Situation zu verhindern, entleert man das Gerät oder schaltet es ab, bevor der Behälter völlig gefüllt wird.
- © • Die Schrauben, die im niedrigen Installationssatz 822701 eingeschlossen sind, werden zur Verfügung gestellt, um die Unterseite an eine Arbeit Oberfläche zu befestigen. Benutzen Sie nicht die Schrauben, um die Unterseite zum Vorratsbehälter anzubringen.

Betriebsprinzip

Diese Einheit ist als Vakuumgerät zum Entlüften von Bremssystemen oder Kupplungen oder als Flüssigkeitsabsauggerät zu benutzen. Sie arbeitet mit Druckluft zwischen 60 (4.1 bar) und 150 Psi (10,3 bar) und erzeugt mittels eines Venturisystems ein Vakuum im Behälter. Durch Anbringen des angemessenen Zusatzteils am Anschluss am Oberteil des Gerätes kann man das Vakuum dazu benutzen, Bremsflüssigkeit aus einem Hydrauliksystem abzulassen, z. B. aus dem Brems- oder Kupplungssystem eines Automobils. Es kann auch dazu benutzt werden, verschiedene andere Flüssigkeiten aus Behältern abzusaugen, einschließlich des Hauptzylinders oder derjenigen, die als Servolenkungsflüssigkeiten oder als Motorkühlmittel benutzt werden.

Ein automatischer Hauptzylinder-Auffüllsatz wird mit dieser Einheit mitgeliefert. Er ist praktischerweise so ge-

formt, dass er mit der Standardflasche für Bremsflüssigkeit benutzt werden kann, so dass der vorschriftsmäßige Flüssigkeitsstand im Hauptzylinder erhalten bleibt, während das Hydrauliksystem entlüftet wird. Bedienungsanleitungen werden mit dem Satz mitgeliefert.

Anweisungen zum Entlüften von Bremsen

WICHTIG: Dieses Gerät ist für die sichere und praktische Wartung einer Anzahl verschiedener Fahrzeuge bestimmt. Als Option erhältliche Zusatzgeräte wie z. B. Belastungssensoren oder Antiblockiersysteme, die für viele Automobile erhältlich sind, können zusätzliche Verfahrensschritte oder die Verwendung zusätzlicher Werkzeuge nötig machen, um eine vorschriftsmäßige Wartung durchzuführen. Die unten beschriebenen Verfahren sind als Richtlinie zur Verwendung dieses Gerätes zu verstehen. Zusätzlich zu diesen Richtlinien müssen bei der Wartung eines bestimmten Fahrzeugs immer die vom Hersteller empfohlenen Verfahren befolgt werden.

Entfernen der verbrauchten Flüssigkeit aus dem Hauptzylinder der Bremse

1. Das Fahrzeug vorschriftsmäßig auf einer ebenen Fläche parken und den Motor abschalten.
2. Die Außenseite des Hauptzylinders und des Zylinderdeckels reinigen, damit kein Schmutz in den Zylinder eindringen kann, wenn der Deckel entfernt wird.
3. Deckel vom Hauptzylinderbehälter entfernen.
4. Druckregulierte Luft (60 psi (4.1 bar) bis 150 psi (10,3 bar)) an den männlichen Schnellanschlussnippel am drehbaren Lufteinlass anschließen. Dieser befindet sich am Handgriffende des Entlüftungsgerätes.
5. Das zutreffende Ende des Absaugschlauchs mit dem weiblichen Schnellanschluss verbinden, der sich oben am Vakuumentlüftungsgerät befindet.
6. Das andere Ende der Absaugschlauch-einheit in den Hauptzylinder-flüssigkeitsbehälter einführen und das Vakuumentlüftungsventil vorwärtsschieben, um den Aufbau des Vakuums zu beginnen (ein paar Sekunden abwarten, bis das Vakuum sich im Entlüftungsbehälter aufgebaut hat und der Saugvorgang beginnt). Während die verbrauchte Flüssigkeit abgesaugt wird, muss sie umgerührt werden, um jegliche Festbestandteile, die sich auf dem Boden und an den Wänden des Hauptzylinders festgesetzt haben, abzulösen und zu entfernen.
7. Ist alle Flüssigkeit entfernt, so schaltet man das Entlüftungsgerät ab und füllt den Hauptzylinder mit frischer, vom Hersteller empfohlener Flüssigkeit auf.

© Zeigt Änderung an

Vakuumentlüftung der Bremsleitungen und Radbremszylinder.

Hinweis: Vor der Entleerung sicherstellen, dass der Hauptzylinder mit frischer, vom Hersteller empfohlener Flüssigkeit gefüllt ist. Ein automatischer Auffüllsatz für den Hauptzylinder wird mit dem Vakuumentlüftungsgerät mitgeliefert, damit der Flüssigkeitsstand im Hauptzylinder während des Entlüftungsvorganges aufrechterhalten werden kann. Die Anweisungen, die mit dem Satz geliefert werden, müssen befolgt werden, damit während der Entleerung der Bremsen keine Luft in die Hauptzylinderkolben, Bremsleitungen und Radzylinder eindringen kann. Zusätzliche automatische Auffüllsätze sind von Miryvac erhältlich.

1. Das Fahrzeug so abstellen, dass die Bremsentlüftungsschraube an jedem Radbremszylinder praktisch und bequem erreichbar ist.
2. Sicherstellen, dass alle Entlüftungsschrauben sauber sind.
3. Saubere, druckgeregelte (60 psi (4,1 bar) bis 150 psi (10,3 bar)) Luft an den männlichen Schnellanschlussnippel am drehbaren Lufteinlass anschließen. Dieser befindet sich am Handgriffende des Entlüftungsgerätes.
4. Das zutreffende Ende des Entlüftungsschlauches mit dem weiblichen Schnellanschluss verbinden, der sich oben am Entlüftungsgerät befindet.

Hinweis: Die Richtlinien des Fahrzeugherstellers zurate ziehen für die richtige Reihenfolge der Radentlüftung und die Vakuumentlüftungsmethode .

5. Den Entlüftungsschraubenadapter, der sich am entgegengesetzten Ende der Entlüftungsschlaucheinheit befindet, über den Anschluss der Entlüftungsschraube schieben.
6. Das Vakuum-Entlüftungsgerät nun in Betrieb nehmen, indem das Drosselventil nach vorn geschoben wird (ein paar Sekunden abwarten, bis das Vakuum sich im Behälter aufgebaut hat und der Saugvorgang beginnt). Mit dem passenden Schraubenschlüssel die Entlüftungsschraube leicht lockern/öffnen, bis man Flüssigkeit durch den Entlüftungsschlauch und in den Behälter fließen sieht.

Hinweis: Beim Entleerungsvorgang, während Bremsflüssigkeit durch die Entlüftungsschraube abgesaugt wird, wird entlang den Gewinden der Schraube auch Luft in den Entlüftungsschlauch gesaugt Dies kann zu dem Trugschluss führen, dass Luft aus den Leitungen entweiche. Dies ist jedoch ein normaler Vorgang und nicht das Anzeichen eines Fehlers. Um das Eindringen von Luft zu vermindern oder zu vermeiden, kann man die Gewinde der Entlüftungsschraube vor dem Vorgang mit Siliconfett bestreichen.

7. Die Entlüftungsschraube offen lassen, bis man sieht, dass frische Flüssigkeit durch den Entlüftungsschlauch fließt (normalerweise 20 bis 30 Sekunden).
8. Die Entlüftungsschraube fest, aber nicht zu fest anziehen, bevor der Entlüftungsschraubenadapter abgenommen oder das Entlüftungsgerät abgeschaltet wird.

Hinweis: Es ist wichtig, sicherzustellen, dass der Entlüftungsschraubenadapter mit der Schraube verbunden bleibt und das Entlüftungsgerät noch ein Vakuum erzeugt, während die Schraube geschlossen wird. Dadurch wird verhindert, dass Luft vom Schraubengewinde zurück in den Radzylinder gesaugt werden kann, bevor die Schraube festgezogen und abgedichtet ist.

Hinweis: Wenn kein automatisches Auffüllgerät, wie das mit dieser Einheit mitgelieferte verwendet wird, sicherstellen, dass der Flüssigkeitsstand regelmäßig geprüft und dass die Bremsflüssigkeit im Hauptzylinder jeweils nachgefüllt wird.

Anweisungen zur Entlüftung hydraulischer Kupplungssysteme

WICHTIG: Dieses Gerät hat den Zweck, eine Reihe von Fahrzeugen auf sichere, praktische Weise zu warten. Hydraulische Kupplungssysteme können jedoch je nach Fahrzeug im Design, in den Komponenten und sogar in der Lage und Konstruktion der Entlüftungsschraube verschiedene sein. Aufgrund dieser Unterschiede sind die folgenden Verfahren nur als Richtlinie zur Verwendung des Gerätes anzusehen. Zusätzlich zu diesen Richtlinien müssen deshalb bei der Wartung jedes einzelnen Fahrzeuges immer die vom Hersteller empfohlenen Verfahren befolgt werden.

Absaugen verbrauchter Flüssigkeit vom Hauptzylinder der Kupplung

1. Das Fahrzeug vorschriftsmäßig auf einer ebenen Fläche parken und den Motor abschalten.
2. Die Außenseite des Hauptzylinders und des Zylinderdeckels reinigen, damit kein Schmutz in den Zylinder eindringen kann, wenn der Deckel entfernt wird.
3. Deckel vom Hauptzylinderbehälter entfernen.

4. Druckregulierte Luft (60 Psi (4.1 bar) bis 150 psi (10,3 bar)) an den männlichen Schnellanschlussnippel am drehbaren Lufteinlass anschließen. Dieser befindet sich am Handgriffende des Vakuumentlüftungsgerätes..
5. Das zutreffende Ende des Entlüftungsschlauchs mit dem weiblichen Schnellanschluss verbinden, der sich oben am Entlüftungsgerät befindet.
6. Das andere Ende der Absaugerschlauch—einheit in den Hauptzylinderflüssigkeitsbehälter einführen und das Vakuumentlüftungsdrosselventil vorwärtsschieben, um die Erzeugung des Vakuums zu beginnen (ein paar Sekunden abwarten, bis das Vakuum sich im Behälter aufgebaut hat und der Saugvorgang beginnt). Während die verbrauchte Flüssigkeit abgesaugt wird, muss sie umgerührt werden, um jegliche Festbestandteile, die sich auf dem Boden und an den Wänden des Hauptzylinders festgesetzt haben, abzulösen und zu entfernen.
7. Ist alle Flüssigkeit entfernt, so schaltet man das Entlüftungsgerät ab und füllt den Hauptzylinder mit frischer, vom Hersteller empfohlener Flüssigkeit.

Vakuumentlüftung des Kupplungs-Hauptzylinders, Folgezylinders und der Hydraulikleitungen

Hinweis: Vor der Entlüftung sicherstellen, dass der Hauptzylinder mit frischer, vom Hersteller empfohlener Flüssigkeit gefüllt ist. Ein automatischer Auffüllsatz für den Hauptzylinder wird mit dem Entlüftungsgerät mitgeliefert, damit der Flüssigkeitsstand im Hauptzylinder während des Absaugvorganges aufrechterhalten werden kann. Die Anweisungen, die mit dem Satz geliefert werden, müssen befolgt werden, damit während der Kupplungsentleerung keine Luft in die Hauptzylinderkolben, den Folgekolben und die Hydraulikleitungen eindringen kann. Zusätzliche automatische Auffüllsätze sind von Mityvac erhältlich.

1. Das Fahrzeug so abstellen, dass die Kupplungsentlüftungsschraube am Folgezylinder sicher und praktisch zu erreichen ist.
2. Sicherstellen, dass die Folgezylinderentlüftungsschraube sauber ist.
3. Saubere, druckgeregelte (60 psi (4,1 bar) bis 150 psi (10,3 bar)) Luft an den männlichen Schnellanschlussnippel am drehbaren Lufteinlass anschließen. Dieser befindet sich am Handgriffende des Vakuumentlüftungsgerätes.
- 4 Das zutreffende Ende des Entlüftungsschlauchs mit dem weiblichen Schnellanschluss verbinden, der sich oben am Entlüftungsgerät befindet.

Hinweis: Die Richtlinien des Fahrzeugherstellers zurate ziehen für die richtige Vakuumentlüftungsmethode der Kupplung.

5. Den Entlüftungsschraubenadapter, der sich am entgegengesetzten Ende der Entlüftungsschlaucheinheit befindet, über den Anschluss der Entlüftungsschraube schieben.
6. Das Entlüftungsgerät nun in Betrieb nehmen, indem die Vakuumentlüftungs-drossel nach vorn geschoben wird (ein paar Sekunden abwarten, bis das Vakuum sich im Behälter aufgebaut hat und der Saugvorgang beginnt). Mit dem zutreffenden Schraubenschlüssel die Entlüftungsschraube leicht lockern/öffnen, bis man Flüssigkeit durch den
7. Entlüftungsschlauch und in den Behälter fließen sieht.

Hinweis: Bei der Entlüftung, während Bremsflüssigkeit durch die Entlüftungsschraube abgesaugt wird, wird entlang den Gewinden der Schraube auch Luft in den Entlüftungsschlauch gesaugt Dies kann zu dem Trugschluss führen, dass Luft aus den Leitungen entweiche. Es ist jedoch ein normaler Vorgang und nicht das Anzeichen eines Fehlers. Um das Eindringen von Luft zu vermindern oder zu vermeiden, kann man die Gewinde der Entlüftungsschraube vor dem Vorgang mit Siliconfett bestreichen.

8. Die Entlüftungsschraube offen lassen, bis man sieht, dass frische Flüssigkeit durch den Entlüftungsschlauch fließt.
9. Die Entlüftungsschraube fest, aber nicht zu fest, anziehen, bevor der Entlüftungsschraubenadapter abgenommen oder das Entlüftungsgerät abgeschaltet wird.

Hinweis: Es ist wichtig, sicherzustellen, dass der Entlüftungsschraubenadapter mit der Schraube verbunden bleibt und das Entlüftungs-gerät noch ein Vakuum erzeugt, während die Entlüftungsschraube geschlossen wird. Dadurch wird verhindert, dass Luft vom Schraubengewinde zurück in den Radzylinder gesaugt werden kann, bevor die Schraube festgelegt und abgedichtet ist.

Hinweis: Wenn kein automatisches Auffüll-gerät, wie das mit dieser Einheit mitgelieferte verwendet wird, sicherstellen, dass der Flüssigkeitsstand regelmäßig geprüft wird und dass die Bremsflüssigkeit im Hauptzylinder jeweils nachgefüllt wird.

Standard Garantie der Firma Lincoln Industrial

EINGESCHRÄNKTE GARANTIE

Lincoln gewährleistet, dass die von Lincoln hergestellten und gelieferten Produkte für ein (1) Jahr nach dem Kaufdatum frei von Material- und Verarbeitungsfehlern sind, ausschließlich anderer, spezieller, erweiterter oder eingeschränkter von Lincoln veröffentlichter Garantien. Wenn sich während dieser Garantieperiode ein Gerät als fehlerhaft herausstellt, so wird es nach Ermessen der Firma Lincoln kostenlos repariert oder ersetzt.

Diese Garantie beruht auf der Entscheidung eines von Lincoln autorisierten Vertreters, dass der Gegenstand tatsächlich defekt ist. Um eine Reparatur oder einen Ersatz zu erhalten, muss das Gerät mit vorausbezahlter Fracht und mit dem Kaufnachweis innerhalb der Garantieperiode an ein Lincoln Authorized Warranty and Service Center (von Lincoln autorisiertes Garantie- und Kundendienstzentrum) schicken.

Diese Garantie erstreckt sich nur auf den ursprünglichen Käufer. Sie erstreckt sich nicht auf Geräte, die durch Unfall, Überladung, Misshandlung, falsche Verwendung, Nachlässigkeit, falsche Installierung oder scheuerndes oder korrosives Material beschädigt worden sind, oder auf Geräte, die von anderen Personen als autorisiertem Personal von Lincoln verändert oder repariert worden sind. Diese Garantie betrifft nur Geräte, die unter genauer Einhaltung der schriftlichen Spezifikationen und Anordnungen der Firma Lincoln oder deren autorisiertem Außenpersonal installiert, betrieben und gewartet wurden.

DIESE GARANTIE IST EXKLUSIV UND STEHT AN STELLE ALLER ANDEREN GARANTIEEN, AUSGESPROCHENER SOWIE AUCH STILLSCHWEIGEND ANGENOMMENER, EINSCHLIESSLICH, ABER NICHT BESCHRÄNKT AUF, DIE GARANTIE DER VERKÄUFLICHKEIT ODER EIGNUNG FÜR EINEN BESTIMMTEN ZWECK.

In keinem Falle soll Lincoln haftbar gehalten werden für Zufalls- oder Nachfolgeschäden. Die Haftbarkeit der Firma Lincoln für jeglichen Verlust oder Schäden, die durch den Verkauf, Wiederverkauf oder die Verwendung ihrer Geräte entstanden sind, soll auf keinen Fall den Kaufpreis übersteigen. Einige Gerichtsbarkeiten erlauben den Ausschluss oder die Einschränkung der Haftpflicht für Zufalls- oder Nachfolgeschäden nicht, die oben beschriebene Einschränkung oder der Ausschluss betrifft Sie also möglicherweise nicht.

Diese Garantie verleiht Ihnen bestimmte legale Rechte. Sie können – je nach der Jurisdiktion, in der Sie leben – noch andere Rechte haben.

Kunden, die nicht in der westlichen Hemisphäre oder Ostasien leben: Bitte wenden Sie sich an Lincoln GmbH & Co. KG, Walldorf, Germany, um Ihre Garantierechte zu erfahren.

Lincoln Industrial Kontaktinformation

Um das nächste Lincoln Kundendienstzentrum zu finden, rufen Sie bitte die folgende Nummer an oder benutzen Sie unsere Website.

Kundendienst: + 314-679-4200
Website: lincolnindustrial.com

Amerikas: One Lincoln Way St. Louis, MO 63120-1578 USA Phone +1.314.679.4200 Fax +1.800.424.5359	Europa/Afrika: Heinrich-Hertz-Str 2-8 D-69183 Walldorf Germany Phone +49.6227.33.0 Fax +49.6227.33.259	Asien/Pazifischer Raum 25 Int'l Business Park #01-65 German Centre Singapore 609916 Phone +65.562.7960 Fax +65.562.9967	© Copyright 2005 Gedruckt in USA Web site: www.lincolnindustrial.com
---	---	--	---

MANUAL DEL USUARIO

¿Desea hacer preguntas técnicas?

Si desea hacer preguntas o requiere servicio técnico, póngase en contacto con nuestros técnicos de servicio capacitados, llamando al:
1-314-679-4200 ext. 4782

Lunes a viernes, de 7:30 de la mañana a 4:15 de la tarde, Hora Central Estándar

Visite nuestro sitio web en www.mityvac.com para obtener información sobre nuevos productos, catálogos e instrucciones para las aplicaciones de los productos.

¿Necesita piezas de repuesto?

Para pedir piezas de repuesto, visítenos en línea en www.mityvac.com o llame gratuitamente al 1-800-992-9898.

ESPECIFICACIONES

Capacidad del depósito: 1,9 cuartos de galón (1,8 litros)

Longitud del tubo de purga: 72 pulg (1.830 cm)

Longitud del tubo de evacuación: 48 pulg (1.220 cm)

Presión de trabajo: 60 a 150 lb/pulg² (4,1 a 10,3 bares)

Consumo de aire: 4,3 pie³/min a 90 lb/pulg² (2,0 l/s a 6,2 bares)

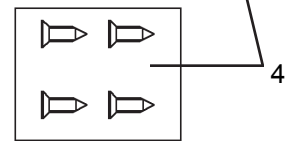
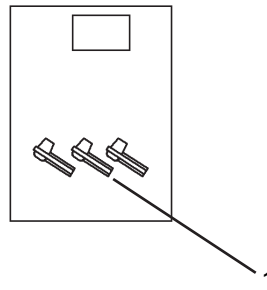
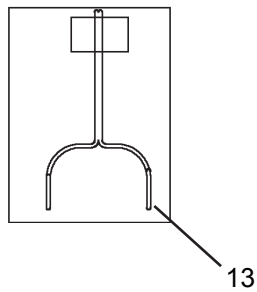
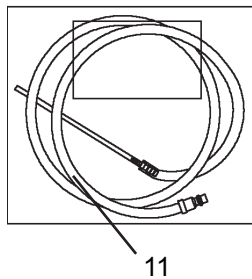
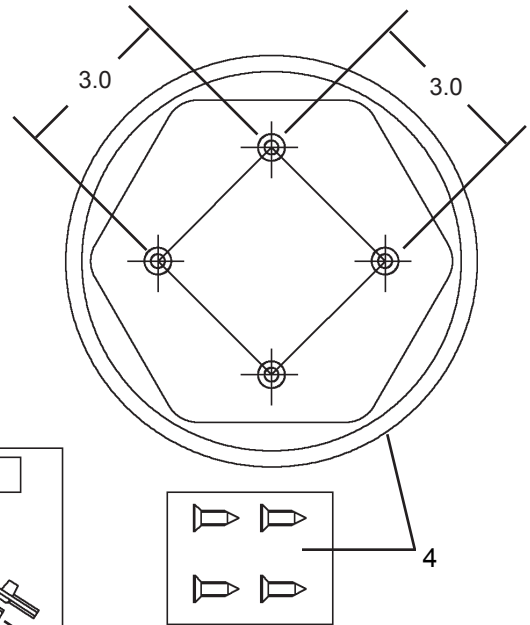
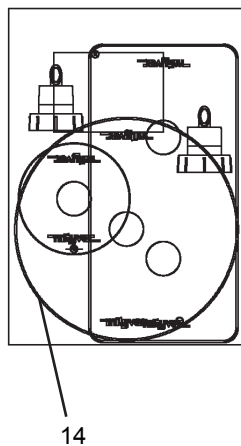
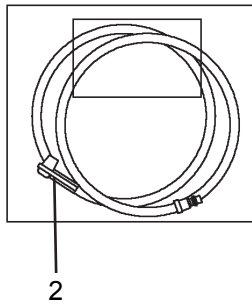
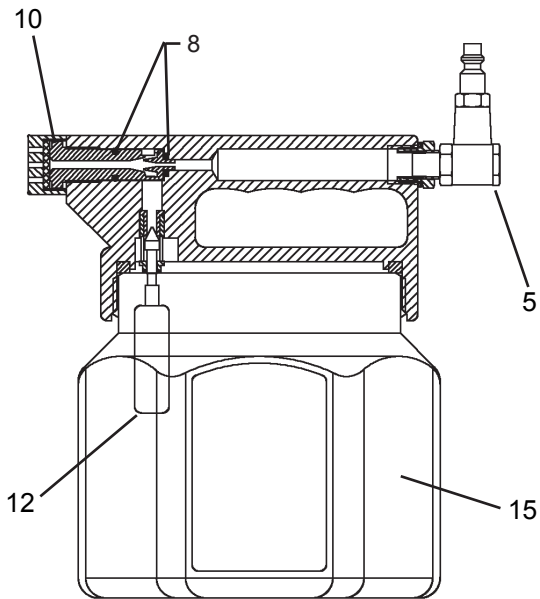
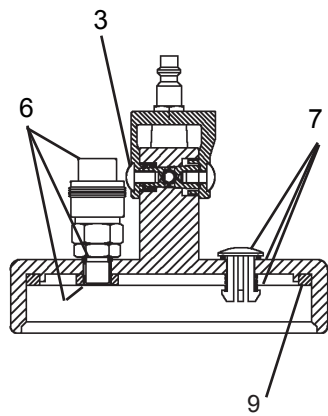
Vacío

a 30 lb/pulg² (2,0 bares): 6,5 pulg Hg (22 kpa)
a 60 lb/pulg² (4,1 bares): 16,5 pulg Hg (56 kpa)
a 90 lb/pulg² (6,2 bares): 26,5 pulg Hg (90 kpa)
a 150 lb/pulg² (10,3 bares): 27 pulg Hg (91 kpa)

Velocidad de llenado

a 30 lb/pulg² (2,0 bares): 24,5 onzas/min (725 ml/min.)
a 60 lb/pulg² (4,1 bares): 49,5 onzas/min (1.460 ml/min.)
a 90 lb/pulg² (6,2 bares): 70,5 onzas/min (2.095 ml/min.)
a 150 lb/pulg² (10,3 bares): 70,5 onzas/min (2.095 ml/min.)





COMPONENTES DEL JUEGO DE PURGADOR DEL FRENO

Artículo	N° de pieza	Descripción	Artículo	N° de pieza	Descripción
1	822664	JUEGO DE ADAPTADOR DE TORNILLO DE PURGA	8	822705	JUEGO DE JUNTA TÓRICA
2	822694	CONJ. DE TUBO DE PURGA	9	822706	JUEGO DE EMPAQUETADURA DEL DEPÓSITO
3	822700	JUEGO DE VÁLVULA	10	822709	JUEGO DE SILENCIADOR
4	822701	JUEGO DE BASE	11	822722	CONJ. DE TUBO DE EVACUACIÓN
5	822702	JUEGO DE UNIÓN GIRATORIA DEL ACOPLAMIENTO	12	822731	JUEGO DE FLOTACIÓN
6	822703	JUEGO DEL ACOPLAMIENTO	13	822753	JUEGO DE GANCHO
7	822704	JUEGO DE VENTILACIÓN	14	MVA6825	JUEGO DE RELLENO DE FLUIDO
			15	822842	DEPÓSITO

© Indica el cambio

Precauciones importantes

- Lea siempre detenidamente y entienda las instrucciones antes de usar este equipo.
- El fluido de frenos es muy corrosivo. Lleve puestos guantes y gafas de seguridad aprobadas en todo momento, e impida el contacto del fluido con las superficies pintadas.
- Consulte y siga los procedimientos recomendados por el fabricante del vehículo al efectuar el servicio de cualquier sistema hidráulico.
- No use esta unidad con líquidos inflamables ni con fluidos a temperaturas superiores a 175° F (80°C).
- Deseche debidamente los fluidos usados y rellene los sistemas hidráulicos con fluido de frenos nuevos procedente de recipientes recientemente abiertos.
- No trate de someter a presión el purgador/evacuador. Está diseñado para usar con vacío solamente.
- Esta unidad está equipada con un dispositivo de cierre automático que impide la entrada de fluido en la corriente de aire comprimido y su salida por el escape. Sin embargo, si la unidad se hace funcionar continuamente cuando el depósito esté lleno, la presión residual dejará que el depósito se llene completamente de fluido, creando la posibilidad de un derrame cuando se quite la tapa. Para impedir esta situación, vacíe o apague la unidad antes de llenar completamente el depósito.
- © Los tornillos incluidos en el kit bajo 822701 se proporcionan para asegurar la base a una superficie de trabajo. No utilice los tornillos para unir la base al depósito.

Principio de operación

Esta unidad está diseñada para usar como freno de vacío o purgador de embrague o evacuador de fluido. Utiliza aire comprimido entre 60 y 150 lb/pulg² (4,1 y 10,3 bares) y un sistema venturi para hacer vacío en el depósito. Al conectar el accesorio debido al acoplamiento ubicado en la parte de arriba de la unidad, el vacío se puede usar para drenar el fluido de frenos de un sistema hidráulico como los sistemas de freno o embrague de un automóvil. También se puede usar para evacuar una variedad de fluido de depósitos incluido el del cilindro maestro o los de fluido de servodirección o refrigerante de motor.

Se incluye un juego de relleno automático de cilindro maestro con esta unidad. Está diseñado convenientemente para usar con un cilindro estándar de fluido de

freno para mantener un nivel adecuado de fluido en el cilindro maestro mientras se purga el sistema hidráulico. Se incluyen las instrucciones para su uso con el juego.

Instrucciones para la purga de frenos

IMPORTANTE: Esta unidad está diseñada para efectuar el servicio de una variedad de vehículos de una manera segura y conveniente. Sin embargo, opciones como los sensores de carga o los frenos antibloqueo disponibles en muchos automóviles, pueden requerir pasos o equipos adicionales para efectuar un servicio apropiado. Los procedimientos siguientes son guías para el uso de este equipo. Además de estas guías siga siempre los procedimientos recomendados por el fabricante al efectuar el servicio en cada vehículo.

Eliminación del fluido usado del cilindro maestro del freno.

1. Estacione debidamente el vehículo sobre una superficie horizontal y apague el motor.
2. Limpie el exterior del cilindro maestro y la tapa del mismo para impedir la entrada de polvo en el cilindro maestro cuando esté destapado.
3. Quite la tapa del depósito del cilindro maestro.
4. Conecte aire comprimido limpio, regulado [60 a 150 lb/pulg² (4,1 a 10,3 bares)] al niple macho de desconexión rápida conectado a la entrada de aire giratoria, ubicada en un extremo de la palanca del purgador de vacío.
5. Conecte el extremo correspondiente del conjunto de tubo de evacuación al acoplamiento hembra de desconexión rápida ubicado en la parte de arriba del purgador de vacío.
6. Introduzca el otro extremo del conjunto del tubo de evacuación en el depósito de fluido del cilindro maestro y empuje hacia adelante el regulador del purgador de vacío para empezar a formar el vacío (deje que pasen unos pocos segundos para que se forme vacío en el depósito del purgador antes de que se produzca la succión. Mientras se evacua el fluido usado, agítelo para desprenderlo y elimine los lodos que se hayan acumulado en el fondo y las paredes del cilindro maestro.
7. Una vez que se haya eliminado todo el fluido, apague el purgador y rellene el cilindro maestro con fluido de freno nuevo recomendado por el fabricante.

Purga de vacío de las tuberías del freno y los cilindros de los frenos de las ruedas.

Nota: Antes de purgar, asegúrese de que el cilindro maestro esté lleno de fluido de freno nuevo recomendado por el fabricante. Se incluye un juego de relleno automático del cilindro maestro con el purgador de vacío para mantener el nivel de fluido nuevo en el cilindro maestro durante el proceso de purga del freno. Siga las instrucciones incluidas en el juego para impedir que se absorba aire en los pistones del cilindro maestro, las tuberías del freno y los cilindros de las ruedas al purgar los frenos. Se dispone de juegos de relleno automático adicionales de Mityvac.

1. Coloque debidamente el vehículo para proporcionar un acceso seguro y conveniente al tornillo de purga del freno ubicado en cada cilindro del freno de las ruedas.
2. Asegúrese de que todos los tornillos de purga estén limpios.
3. Conecte aire comprimido limpio, regulado [60 a 150 lb/pulg² (4,1 a 10,3 bares)] al niple macho de desconexión rápida conectado a la entrada de aire giratoria, ubicada en un extremo de la palanca del purgador de vacío.
4. Conecte el extremo correspondiente del conjunto de tubo de purga al acoplamiento hembra de desconexión rápida ubicado en la parte de arriba del purgador de vacío.

Nota: Consulte en las guías del fabricante del vehículo la secuencia de purga apropiada de las ruedas y el procedimiento de purga de vacío.

5. Deslice el adaptador del tornillo de purga ubicado en el extremo opuesto del conjunto del tubo de purga, sobre el niple del tornillo de purga.
6. Haga funcionar el purgador de vacío empujando el regulador hacia adelante (deje que pasen unos pocos segundos para que se forme vacío en el depósito del purgador antes de que se produzca la succión) y con la llave apropiada, afloje/abra ligeramente el tornillo de purga hasta que vea drenar el fluido por la manguera de purga al depósito.

Nota: Durante el proceso de purga, a medida que se absorbe el fluido de frenos mediante un vacío por el tornillo de purga, el tubo de purga aspira también aire de los alrededores de las roscas del tornillo de purga. Esto puede dar la idea equivocada de que se purga aire de las tuberías. Sin embargo esto es normal y no indica un funcionamiento defectuoso. Para impedir o reducir la entrada de aire, recubra las roscas del tornillo de purga con grasa de silicona antes de la purga.

7. Mantenga abierto el tornillo de purga hasta que se vea circular el fluido nuevo por el tubo de purga (típicamente 20 a 30 segundos).
8. Cierre bien el tornillo de purga, sin apretarlo excesivamente, antes de quitar el adaptador del tornillo de purga o cerrar el purgador.

Nota: Es importante asegurarse de que el adaptador del tornillo de purga permanezca conectado al tornillo de purga y que el purgador siga produciendo un vacío mientras el tornillo de purga esté cerrado. Esto impide que el cilindro de la rueda aspire aire de los alrededores de las roscas del tornillo de purga antes de que se apriete y se selle el tornillo de purga.

Nota: Si no se usa un rellenedor automático, como el incluido con esta unidad, asegúrese de comprobar periódicamente el nivel y rellene el fluido de frenos en el cilindro maestro.

Instrucciones para purgar el sistema hidráulico del embrague.

IMPORTANTE: Esta unidad está diseñada para efectuar el servicio de una variedad de vehículos de una manera segura y conveniente. Sin embargo, los sistemas de embrague hidráulicos varían de un vehículo a otro en diseño, en componentes, e incluso en la ubicación y diseño del tornillo de purga. Debido a estas diferencias, los procedimientos siguientes deben utilizarse solamente como guía para el uso de este equipo. Además de estas guías, siga siempre los procedimientos recomendados por el fabricante al efectuar el servicio en cada vehículo.

Eliminación de fluido usado del cilindro maestro del embrague.

1. Estacione debidamente el vehículo sobre una superficie horizontal y apague el motor.
2. Limpie el exterior del cilindro maestro y la tapa del mismo para impedir la entrada de polvo en el cilindro maestro cuando esté destapado.
3. Quite la tapa del depósito del cilindro maestro.
4. Conecte aire comprimido limpio, regulado [60 a 150 lb/pulg² (4,1 a 10,3 bares)] al niple macho de desconexión rápida conectado a la entrada de aire giratoria, ubicada en un extremo de la palanca del purgador de vacío.
5. Conecte el extremo correspondiente del conjunto de tubo de evacuación al acoplamiento hembra de desconexión rápida ubicado en la parte de arriba del purgador de vacío.

-
6. Introduzca el otro extremo del conjunto del tubo de evacuación en el depósito de fluido del cilindro maestro y empuje hacia adelante el regulador del purgador de vacío para empezar a formar el vacío (deje que pasen unos pocos segundos para que se forme vacío en el depósito del purgador antes de que se produzca la succión. Mientras se evacua el fluido usado, agítelo para desprenderlo y elimine los lodos que se hayan acumulado en el fondo y las paredes del cilindro maestro.
 7. Una vez que se haya eliminado todo el fluido, desactive el purgador y rellene el cilindro maestro con fluido de freno nuevo recomendado por el fabricante.

Purga de vacío del cilindro maestro del embrague, cilindro secundario y tuberías hidráulicas.

Nota: Antes de purgar, asegúrese de que el cilindro maestro esté lleno de fluido de freno nuevo recomendado por el fabricante. Se incluye un juego de relleno automático del cilindro maestro con el purgador de vacío para mantener el nivel de fluido nuevo en el cilindro maestro durante el proceso de purga del embrague. Siga las instrucciones incluidas en el juego para impedir que se absorba aire en los pistones del cilindro maestro, cilindro secundario y tuberías de fluido al purgar el sistema de embrague hidráulico. Se dispone de juegos de relleno automático adicionales de Mityvac.

1. Coloque debidamente el vehículo para proporcionar un acceso seguro y conveniente al tornillo de purga de embrague ubicado en el cilindro secundario.
2. Asegúrese de que el tornillo de purga del cilindro secundario esté limpio.
3. Conecte aire comprimido limpio, regulado [60 a 150 lb/pulg² (4,1 a 10,3 bares)] al niple macho de desconexión rápida conectado a la entrada de aire giratoria, ubicada en un extremo de la palanca del purgador de vacío.
4. Conecte el extremo correspondiente del conjunto de tubo de purga al acoplamiento hembra de desconexión rápida ubicado en la parte de arriba del purgador de vacío.

Nota: Consulte en las guías de fabricante del vehículo el procedimiento de purga de vacío de embrague apropiado.

5. Deslice el adaptador del tornillo de purga universal ubicado en el extremo opuesto del conjunto del tubo de purga, sobre el niple del tornillo de purga.

6. Haga funcionar el purgador de vacío empujando el regulador hacia adelante (deje que pasen unos pocos segundos para que se forme vacío en el depósito del purgador antes de que se produzca la succión) y con la llave apropiada, afloje/abra ligeramente el tornillo de purga hasta que vea drenar el fluido por la manguera de purga al depósito.

Nota: Durante el proceso de purga, a medida que se absorbe el fluido de frenos mediante un vacío por el tornillo de purga, la manguera del purgador aspira también aire de los alrededores de las roscas del tornillo de purga. Esto puede dar la idea equivocada de que se purga aire de las tuberías. Sin embargo esto es normal y no indica un funcionamiento defectuoso. Para impedir o reducir la entrada de aire, recubra las roscas del tornillo de purga con grasa de silicona antes de la purga.

7. Mantenga abierto el tornillo de purga hasta que se vea circular nuevo fluido por la manguera de purga.
8. Cierre bien el tornillo de purga, sin apretarlo excesivamente, antes de quitar el adaptador del tornillo de purga o cerrar el purgador.

Nota: Es importante asegurarse de que el adaptador del tornillo de purga permanezca conectado al tornillo de purga y que el purgador siga produciendo un vacío mientras el tornillo de purga esté cerrado. Esto impide que el cilindro secundario aspire aire de los alrededores de las roscas del tornillo de purga antes de que se apriete y se selle el tornillo de purga.

Nota: Si no se usa un relleno automático, como el incluido con esta unidad, asegúrese de comprobar periódicamente el nivel y rellene el fluido de frenos en el cilindro maestro.

GARANTÍA LIMITADA

Lincoln garantiza que los equipos fabricados y suministrados por Lincoln carecen de defectos de materiales y fabricación durante un (1) año contado a partir de la fecha de compra, excluyéndoles de cualquier garantía especial, extendida o limitada publicada por Lincoln. Si se demuestra que los equipos son defectuosos durante este período de garantía, se repararán o reemplazarán, a discreción de Lincoln, de forma gratuita.

Esta garantía está condicionada por la determinación de un representante autorizado de Lincoln de que el equipo es defectuoso. Para obtener su reparación o reemplazo, debe enviar los equipos, gastos de transporte pagados de antemano, con la prueba de compra a un centro de garantías y servicio autorizado de Lincoln dentro del período de la garantía.

Esta garantía se extiende solamente al comprador original que haya efectuado la compra a un minorista. Esta garantía no se aplica a equipos dañados por accidente, sobrecarga, abuso, uso indebido, negligencia, instalación defectuosa o material abrasivo o corrosivo, o a equipos reparados o alterados por cualquier persona que no esté autorizada por Lincoln para reparar o alterar los equipos. Esta garantía se aplica solamente a equipos instalados, operados y mantenidos estrictamente según las especificaciones escritas y recomendadas proporcionadas por Lincoln o su personal de planta autorizado.

ESTA GARANTÍA ES EXCLUSIVA Y REEMPLAZA CUALQUIER OTRA GARANTÍA, EXPLÍCITA O IMPLÍCITA, INCLUIDA LA GARANTÍA DE COMERCIALIZACIÓN O GARANTÍA DE IDONEDAD PARA UNA CIERTA FINALIDAD, PERO SIN LIMITARSE A LAS MISMAS.

En ningún caso Lincoln será responsable de daños emergentes o concomitantes. La responsabilidad de Lincoln ante cualquier reclamación por pérdida o daños que sean consecuencia de la venta, reventa o uso de equipos suministrados no debe en ningún caso exceder el precio de compra. Algunas jurisdicciones no permiten la exclusión o limitación de daños emergentes o concomitantes, por lo que es posible que no se aplique a su caso la limitación o exclusión anterior. Esa garantía le da derechos legales específicos. También puede tener otros derechos que varían según la jurisdicción. Clientes que no estén ubicados en el Hemisferio Occidental o en el Lejano Oriente: Póngase en contacto con Lincoln GmbH & Co. KG, Walldorf, Alemania, para obtener información sobre sus derechos de garantía.

Información de contacto de Lincoln Industrial

Para encontrar el centro de servicio más cercano de Lincoln Industrial, llame a los números siguientes o también puede visitar nuestro sitio web.

Servicio al cliente 314-679-4200

Sitio web lincolnindustrial.com

Américas: One Lincoln Way St. Louis, MO 63120-1578 USA Phone +1.314.679.4200 Fax +1.800.424.5359	Europa/África: Heinrich-Hertz-Str 2-8 D-69183 Walldorf Germany Phone +49.6227.33.0 Fax +49.6227.33.259	Asia/Pacífico: 25 Int'l Business Park #01-65 German Centre Singapore 609916 Phone +65.562.7960 Fax +65.562.9967	© Copyright 2005 Hecho en USA Web site: www.lincolnindustrial.com
---	---	--	---
