



**AUTOMOTIVE  
BRAKE BLEEDING KIT  
MODEL MV8020**

---

## **USER'S MANUAL**

Have a technical question?

If you have questions, or require technical service, please contact our trained service technicians at:

1-314-679-4200 ext. 4782

Monday – Friday 7:30 am to 4:15 pm CST

Visit our website at [www.mityvac.com](http://www.mityvac.com) for new products, catalogs, and instructions for product use.

Need service parts?

To order replacement or service parts, visit us online at [www.mityvacparts.com](http://www.mityvacparts.com) or call toll free 1-800-992-9898.

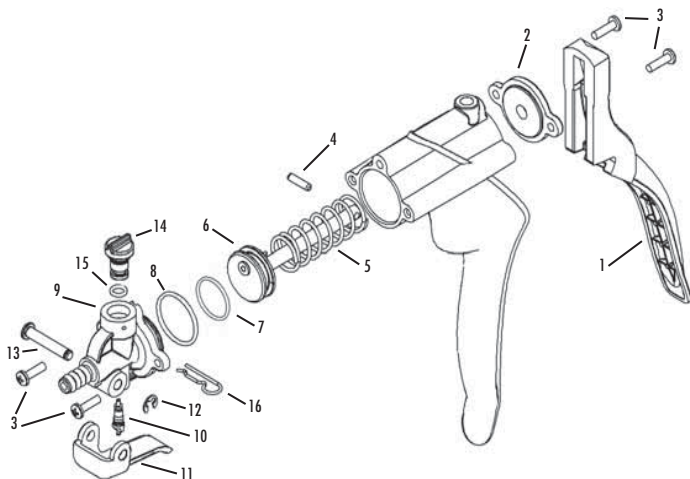


## CONTENTS

---

Service Parts & Accessories . . . . .	3
Optional Accessories . . . . .	4
The Pump . . . . .	5
Brake Bleeding . . . . .	6
Spanish Section . . . . .	10
French Section . . . . .	19
Warranty . . . . .	28

## SERVICE PARTS & ACCESSORIES



### PUMP SERVICE KITS

	824551	MVM8901	824550	824552	824553	824493
1	X					
2					X	
3		X				
4		X				
5		X				
6		X				
7		X				
8		X				
9		X				
10		X				X
11				X		
12				X		
13				X		
14			X			
15			X			
16			X			



MVA6913 – Bleed Adapter Kit



MVA6912 – Diagnostic Adapter Kit



822391 – Tubing (2 pieces)



MVA6910 – Reservoir Kit

## OPTIONAL ACCESSORIES



MVA6825

MVA6832

The following optional accessories are designed to improve and expand the functionality and applications of Mityvac hand vacuum pumps.

### MVA6825 Master Cylinder Refill Kit

Automatically replenishes brake or clutch master cylinder with new fluid during vacuum bleeding procedure. Adapts to standard 12 oz and 32 oz brake fluid bottles.

### MVA6832 Clamp-On Auto-Refill Kit

Automatically replenishes brake or clutch master cylinder with new fluid during vacuum bleeding procedure. Includes 40 oz reservoir, or adapts to standard 12 oz and 32 oz brake fluid bottles. Offers improved features and functionality over MVA6825.



MVA6834

### MVA6834 Plate-Style Auto-Refill Upgrade Kit

Upgrades MVA6832 to include refill applications with limited master cylinder clearance or non-standard reservoir necks. Requires purchase of MVA6832.



MVA6000

### MVA6000 Complete Automotive Accessory Kit

Contains accessories for testing and diagnosing dozens of engine performance and automotive mechanical functions, and for one-person brake and hydraulic clutch bleeding.



MVA6005

MVA6007

### MVA6005 16 Oz. Fluid Reservoir Kit

Large 16 oz fluid reservoir kit for brake bleeding and collection and dispensing of fluids.

### MVA6845 Mason Jar Kit

Accessory kit for utilizing standard- and wide-mouth mason jars as fluid evacuation or pressure dispensing fluids.



MVA6845

### MVA6001 Fluid Transfer Kit

Contains accessories for siphoning, transferring, extracting, or dispensing fluids using a Mityvac hand vacuum and/or pressure pump.

### MVA6007 Dual Adapter Bleed Kit

For simultaneous bleeding of motorcycle dual caliper brake systems.



MVA6001

### MVA6178 Vacuum Gauge w/ Inches Hg Scale

2" diameter gearless diaphragm gauge with 0 to 30 in. Hg major scale and 0 to -100 kpa scale of measure.

### MVA6179 Vacuum Gauge w/ MBAR Scale

2-1/2" diameter gearless diaphragm gauge with 0 to -1000 millibar major scale and 0 to 30 inches Mercury scale.



MVA6178

MVA6179

MVA6180

### MVA6180 Vacuum Gauge w/ KPA Scale

2" diameter gearless diaphragm gauge with 0 to -100 kpa scale of measure.

# THE PUMP

---

The vacuum pump is an extremely versatile service tool that can be used to perform a number of useful tasks. The pump and its accessories are useful to transfer fluids, help to bleed brakes and aid in other tasks.

## DESCRIPTION

The hand-held vacuum pump is simple, accurate, easy to use, and has many applications. It consists of a pump body, moveable handle and connection fitting. The pump is easily held in your hand, and when the handle is squeezed, vacuum is produced at the front fitting.

## VACUUM RELEASE

The vacuum can be released by lifting up on the Release Lever. This action allows air to enter the system, thus relieving the vacuum. Vacuum will also be released when the hose is detached from the front fitting.

## SPECIFICATIONS

Maximum Vacuum	Approx. 25" Hg
@ Sea Level:	(85 kPa)

---

Stroke Volume:	1 cu. in. (16cc)
----------------	------------------

---

## PROPER CARE

Your pump is a sturdily built, precision instrument. Do handle it carefully! Care for your pump and it will give you years of trouble-free service.

## LUBRICATION

The factory-installed lubricant is silicone oil and should provide very long service. If you find it necessary to lubricate your pump, use silicone oil. If unavailable, you may use DOT 5 (not DOT 3) silicone-based brake fluid or a salad vegetable oil. Do not use petroleum based fluids or spray lubricants (WD-40, motor oil, etc.), as these will damage the pump.

## BRAKE BLEEDING

---

Many brake systems today feature Anti-Lock functions and electronic controls. Many of these systems use a high pressure electric pump to keep the system pressurized. When bleeding or servicing, these systems require special procedures and cautions.

- ALWAYS observe the following precautions when servicing Anti-Lock brake system:
- ALWAYS wear safety goggles when servicing high pressure brake systems.
- ALWAYS depressurize the ABS system prior to adding fluid or attempting service or repair.
- Unless instructed to by the manufacturer's procedure, NEVER open a bleeder valve or loosen a hydraulic line while the ABS system is pressurized.
- ONLY use recommended brake fluids. DO NOT use silicone brake fluid in ABS equipped vehicles.
- Always refer to an appropriate repair manual for additional information on Anti-Lock brake systems.

### DEPRESSURIZING ANTI-LOCK BRAKE SYSTEMS

Always refer to the vehicle owner's manual or appropriate service manual for additional information on depressurizing procedure. The procedure will work on most Anti-Lock brake systems. Ensure ignition switch is in the OFF position or disconnect the negative battery cable. Pump the brake pedal 25 to 40 times. A noticeable change is felt. Continue to pump the pedal a few additional times. This should eliminate most system pressure. Open fluid reservoir or brake lines carefully. Top off reservoir fluid and reconnect battery cable when finished.

### BLEEDING ANTI-LOCK BRAKE SYSTEMS

Always refer to the vehicle owner's manual or appropriate service manual for manufacturer's brake bleeding procedure. The front brakes on most Anti-Lock brake systems may be bled in the conventional manner. Most hydraulic pump/pressure accumulator units are fitted with a bleeder valve

which must be bled when the system has lost fluid or is being replaced. Some vehicles require that the system be pressurized when the rear brakes are bled.

Some automotive manufacturers use bleeding procedures which require specialized equipment.

### BRAKE LINE BLEEDING

Most low and soft pedal problems are caused by air in the hydraulic lines, which requires bleeding of the hydraulic system. By using the pump with brake bleeding accessories, the system can be bled easily. Follow a wheel-to-wheel sequence beginning with the wheel closest to the master cylinder.

The kit provides a simple, clean, and quick method for bleeding the fluid lines in the automotive brake system. The creation of a vacuum in the reservoir jar causes fluid to be drawn into the reservoir jar. It should be noted that a tiny stream of bubbles may be noticed in the hose after all of the air is bled from the lines. This is caused by air seeping around the threads of the loosened bleeder fitting and being drawn back through the fitting by the suction of the pump. Once the air is removed from within the system, these tiny bubbles will in no way jeopardize the bleeding operation, since they are present only at the fitting and do not enter the system. If you wish, you can put grease or Teflon tape around the threads of the fitting to eliminate most of the bubbles. The correct bleeding procedure follows:

- 1) Always make certain that the master cylinder reservoir is filled and that a supply of new, clean brake fluid of the proper type is on hand to top off the reservoir as the fluid level drops during bleeding. Make sure that all the bleeding fittings are clean prior to beginning of the bleeding procedure.
- 2) Bleed the hydraulic system in the following order:
  - A) Master cylinder bleeder fittings, if equipped. If installing a new or rebuilt master cylinder, follow the bench bleeding procedure which follows.
  - B) Bleeder fittings on the combination valve, if equipped.

## BRAKE BLEEDING

C) Wheel cylinders and calipers in succession beginning with the wheel closest to the master cylinder, and working to the farthest one.

NOTE: Follow manufacturer's recommended bleeding sequence (if known). The procedure given in this article specifies to begin bleeding the wheel closest to master cylinder. Regardless of sequence used, always ensure all air is purged from system.

3) Slip 1½" of tubing between the pump and the lid of reservoir jar at port marked "TO PUMP" (FIGURE 1).

4) Attach 3½" plastic hose to the bottom of the cap.

5) Affix at least a 12" piece of tubing to the other reservoir jar port. Be certain that the cover of the reservoir jar is secure, but don't over tighten.

6) Select the appropriate adapter(s). The L-shaped universal adapters should fit snugly over the brake bleeding fitting in order to seal properly. The tapered adapters fit inside the thru-hole of fitting and will generally seal well when inserted tightly with a pressing and twisting motion. Attach adapter to reservoir hose.

7) Place wrench on brake bleeding fitting. Attach adapter and pump assembly, and pump 10 to 15 times.

NOTE: If bubbles coming out of the fitting are very small and even in size, the air is probably coming from within the system. It is not necessary to eliminate these bubbles as they do not affect brake operation. If desired, these bubbles can generally be eliminated by placing grease or Teflon tape around the threads, to act as a seal.

8) Open fitting slightly, only enough to cause the fluid to enter jar, usually ¼ to ½ turn.

9) After evacuating about 2" of fluid into the jar, close the fitting and refill the master cylinder. Repeat all previous steps on all remaining wheels. If fluid is not drawn into the jar after opening the fitting, make certain the lid of the jar is tight. You will not be able to produce the necessary vacuum in the jar if the lid does not fit securely. Occasionally some dirt will get into the brake line, in which case the pump may not be totally effective. If this happens, have someone touch the brake pedal once lightly, with the bleeding valve open, then proceed to use the pump.

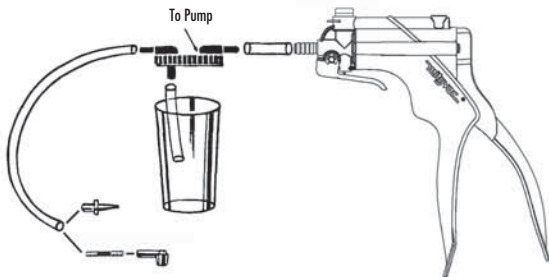


FIGURE 1: BRAKE BLEEDING KIT

# BRAKE BLEEDING

---

## MOTORCYCLE BLEEDING PROCEDURE

Before bleeding the system, ensure that:

- 1) The brake caliper pistons are free to move within the calipers.
- 2) The master cylinder piston is free to return to the end of its stroke, and
- 3) Inspect the line to ensure that all fittings are tight.

## FRONT BRAKE

- 1) Pump brake lever to seat caliper pads against rotor.
- 2) Cover gas tank with plastic protective sheet if using DOT 3 fluid (not necessary if using DOT 5 fluid).
- 3) Remove master cylinder reservoir cap and fill reservoir.
- 4) Select the appropriate adapter(s). The L-shaped universal adapters should fit snugly over the brake bleeding fitting in order to seal properly. The tapered adapters fit inside the thru-hole of fitting and will generally seal well when inserted tightly with a pressing and twisting motion. Attach adapter to reservoir hose.
- 5) Pump several times to create vacuum. Crack bleeder valve with box wrench, extracting fluid into reservoir. (Stop and add fluid when master cylinder begins to get low. Do not allow air to enter line.). At this point, all air should be out of system and line full of fluid. (Note: if air is entering the pump hose from around bleeder fitting, remove bleeder fitting and apply Teflon tape to threaded portion of bleeder screw only. This will prevent air seepage around threads of bleeder screw.)
- 6) While maintaining vacuum on the pump line, tighten bleeder fitting.
- 7) Top off reservoir and reinstall cover. Check brake by pumping lever several times. Pedal should have a positive, solid feel. If not, repeat bleeding process as more air may have entered the system. Inspect line to ensure all fittings are tight. If brake still feels slack, consult a service technician.

For dual disc front brakes, repeat bleeding process as though there are two separate systems.

## REAR BRAKE

Removing all air from the rear brake line is the same as for the front. The rear brake reservoir is usually located beneath one of the side covers.

- 1) Remove the master cylinder cap and fill to near full.
- 2) Attach the pump hose to the bleeder fitting and pump the handle several times to create a vacuum.
- 3) Crack the bleeder with a box wrench. Because of the short line, most of the air should be evacuated the first time.
- 4) By closing the valve and repeating the process, all of the air should be eliminated from the system. Stop and add more fluid when master cylinder gets low.
- 5) Top off and recap the reservoir.

## TROUBLESHOOTING

- 1) If, after bleeding procedure, the brake continues to be unresponsive, you may have water in the system, in which case it will need to be disassembled and cleaned by a qualified service technician.
- 2) If the brake squeaks slightly after bleeding, the disc and pads must be cleaned.
- 3) Although DOT 3 fluid is recommended by most manufacturers, it has a tendency to collect moisture, which causes the common discoloration you see - and that means decreased efficiency. DOT 5 is silicone based and does not have the same tendency to collect moisture. It also has a higher tolerance. DOT 5, however, is not always easy to find and the two types of fluid must not be mixed.
- 4) Rubber hoses are supplied stock on most motorcycles, but they have a tendency to expand, which may result in a spongy brake feel after a lot of riding. Braided steel line will not expand like this.



## BRAKE BLEEDING

### BENCH BLEEDING THE MASTER CYLINDER

Whenever a master cylinder has been removed from a vehicle or a new one is being installed, the master cylinder must be bench bled. Failure to bench bleed is the main reason for unsuccessful master cylinder replacement. Bench bleeding greatly decreases the chance that any air will be caught in the cylinder upon reinstallation. Follow this procedure:

- 1) Plug outlet holes of the master cylinder and gently clamp it in a vise with the push rod end slightly elevated. NOTE: Damage may result if master cylinder is clamped by the bore or if reservoirs are clamped too tightly.
- 2) Fill the master cylinder with an approved type brake fluid and keep it filled at all times during the procedures.
- 3) Remove a plug from the master cylinder and attach the proper adapter to this master cylinder outlet port. Connect the pump tube to the reservoir jar and the jar tube to the adapter (FIGURE 2).

- 4) Operate the pump and observe air and fluid flowing into the reservoir until clear, bubble-free fluid appears.
- 5) Plug the outlet tightly and repeat step 4 on the other outlet ports.
- 6) Clamp master cylinder in a vise with the push rod end down slightly. Slowly slide the master cylinder push rod back and forth about  $\frac{1}{8}$ ", until no air bubbles can be seen in the reservoirs.
- 7) Remount the master cylinder with the push rod end up and follow steps 3 & 4 on all outlet ports. Plug ports tightly. The master cylinder is now free of air and ready to install.

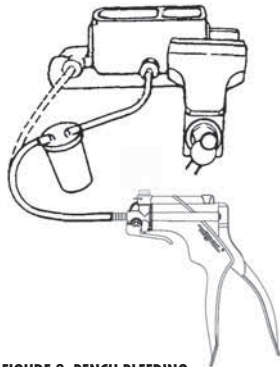


FIGURE 2: BENCH BLEEDING

## MANUAL DEL USUARIO

### ¿Tiene alguna duda técnica?

Si tiene alguna duda, o requiere algún servicio técnico, póngase en contacto con nuestros técnicos de servicio capacitados llamando al:

1-314-679-4200 ext. 4782

Lunes a viernes, de 7:30 a.m. a 4:15 p.m.  
CST

Visite nuestro sitio web, [www.mityvac.com](http://www.mityvac.com) para ver nuevos productos, catálogos e instrucciones de empleo de nuestros productos.

### ¿Necesita piezas de servicio?

Para pedir piezas de repuesto o servicio, visítenos en línea en [www.mityvacparts.com](http://www.mityvacparts.com) o llámenos al teléfono gratuito 1-800-992-9898.

Para obtener una versión en francés o español de este manual visite [www.MityvacFST.com](http://www.MityvacFST.com).

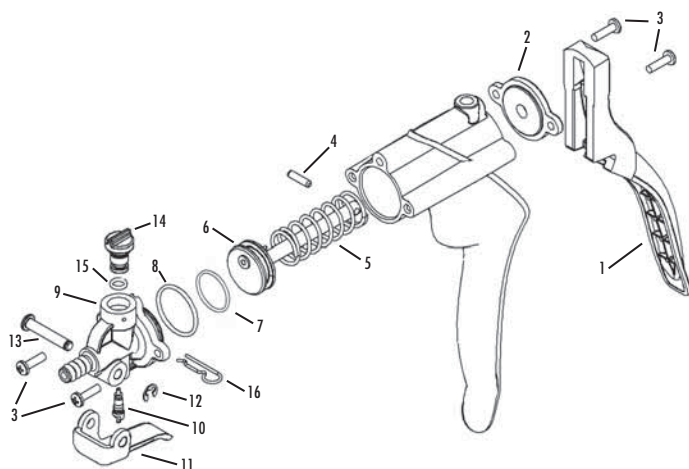


## CONTENIDO

---

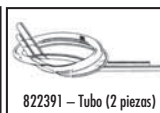
Piezas de Servicio y Accesorios .....	12
Accesorios opcionales .....	13
Bomba de vacío .....	14
Purga de sistemas de freno .....	15
Garantía .....	28

## PIEZAS DE SERVICIO Y ACCESORIOS



### JUEGOS DE SERVICIO DE LA BOMBA

	824551	MVM8901	824550	824552	824553	824493
1	X					
2					X	
3		X				
4		X				
5		X				
6		X				
7		X				
8		X				
9		X				
10		X				X
11				X		
12				X		
13				X		
14			X			
15			X			
16			X			



## ACCESORIOS OPCIONALES



MVA6825



MVA6832

Los siguientes accesorios opcionales están diseñados para mejorar y ampliar la funcionalidad y las aplicaciones de las bombas de vacío de mano de Mityvac.

### MVA6825 JUEGO DE RELLENO DEL CILINDRO MAESTRO

Rellena automáticamente el cilindro maestro de frenos y embrague con un nuevo fluido durante el procedimiento de purga de vacío. Se adapta a botellas de fluido para frenos estándar de 12 y 32 onzas.

### MVA6832 JUEGO DE RELLENO AUTOMÁTICO DE SUJECCIÓN CON TORNILLO DE PRESIÓN

Rellena automáticamente el cilindro maestro del freno y el embrague con un nuevo fluido durante el procedimiento de purga de vacío. Incluye un depósito de 40 onzas, o se adapta a botellas de fluido estándar para frenos de 12 y 32 onzas. Ofrece características y funcionalidad mejoradas con respecto a MVA6825.



MVA6834

### MVA6834 JUEGO DE ACTUALIZACIÓN DE RELLENO AUTOMÁTICO DE ESTILO PLACAS

Actualiza MVA6832 para incluir aplicaciones de relleno con holgura limitada del cilindro maestro o cuellos de depósito que no son estándar. Requiere la compra de MVA6832.



MVA6000

### MVA6000 JUEGO DE ACCESORIOS AUTOMOTRICES COMPLETOS

Contiene accesorios para probar y diagnosticar docenas de funciones mecánicas de rendimiento del motor y automotrices, y para la purga de embragues hidráulicos y frenos por parte de una persona.



MVA6005

MVA6007

### MVA6005 JUEGO DE DEPÓSITO DE FLUIDO DE 16 ONZAS

Juego de depósito de fluido grande de 16 onzas para la purga de frenos y recogida y distribución de fluidos.

### MVA6845 JUEGO DE FRASCOS

Juego de accesorios para utilizar frascos estándar y de boca ancha para la evacuación de fluidos o fluidos distribuidos a presión.



MVA6845

### MVA6001 JUEGO DE TRANSFERENCIA DE FLUIDO

Contiene accesorios para sifonar, transferir, extraer o distribuir fluidos usando una bomba de vacío de mano o una bomba de presión Mityvac.

### MVA6007 JUEGO DE PURGA DE ADAPTADOR DOBLE

Para la purga simultánea de sistemas de frenos de horquilla dobles para motocicletas.



MVA6001

MVA6178

MVA6179

MVA6180

### MANÓMETRO DE VACÍO MVA6178 CON ESCALA EN PULGADAS DE HG

Manómetro de diafragma sin engranajes de 2" de diámetro con una escala principal de 0 a 30 pulg de Hg y una escala de 0 a 100 kpa.

### MANÓMETRO DE VACÍO MVA6179 CON ESCALA EN MBARES

Manómetro de diafragma sin engranajes de 2 1/2" de diámetro con una escala principal de 0 a 1000 milibares y una escala de 0 a 30 pulgada de mercurio.

### MVA6180 MANÓMETRO DE VACÍO CON ESCALA DE KPA

Manómetro de diafragma sin engranajes de 2" de diámetro con una escala de medida de 0 a 100 kpa.

# BOMBA DE VACÍO

---

La bomba de vacío es una herramienta de servicio muy versátil que puede utilizarse para efectuar una serie de tareas útiles. La bomba y sus accesorios son útiles para transferir fluidos, purgar frenos y ayudar en otras tareas.

## DESCRIPCIÓN

La bomba de vacío portátil es sencilla, precisa, fácil de usar y tiene muchas aplicaciones. Consta de un cuerpo de bomba, palanca móvil y conexión. La bomba se puede mantener fácilmente en la mano, y cuando se aprieta la palanca, se produce vacío en la conexión delantera.

## ALIVIO DE VACÍO/PRESIÓN

El vacío pueden aliviarse levantando la palanca de alivio. Esta acción permite la entrada de aire al sistema, aliviando así el vacío. El vacío también se aliviarán cuando se desconecte la manguera de la conexión delantera.

## ESPECIFICACIONES

Vacío máximo a nivel del mar:	Apróx. 25" Hg (85 kPa)
-------------------------------	---------------------------

---

Volumen de la embolada:	1 pulg <sup>3</sup> (16cc)
-------------------------	----------------------------

---

## CUIDADOS ADECUADOS

La bomba es un instrumento de precisión de construcción sólida. ¡Manéjela con cuidado! Cuide la bomba y le proporcionará años de servicio sin problemas.

## LUBRICACIÓN

El lubricante de fábrica es un aceite de silicona que permite usar la bomba durante mucho tiempo. Si cree necesario lubricar la bomba, utilice un aceite de silicona. Si no dispone de este aceite, utilice un líquido de frenos a base de silicona DOT 5 (no DOT 3) o un aceite vegetal comestible. No utilice líquidos derivados del petróleo ni lubricantes de rociado (WD40, aceite de motor, etc.) ya que se dañará la bomba.

## PURGA DE SISTEMAS DE FRENO

Muchos sistemas de freno actuales vienen equipados con funciones antibloqueo (ABS) y controles electrónicos. Muchos de estos sistemas utilizan una bomba eléctrica de alta presión para mantener el sistema a presión. La reparación o purga de estos sistemas de frenos requiere seguir procedimientos especiales y tener en cuenta ciertas precauciones.

Observe las siguientes precauciones siempre que se disponga a reparar sistemas de freno antibloqueo:

Lleve puestas SIEMPRE gafas protectoras cuando se disponga a reparar sistemas de frenos de alta presión.

Descomprima SIEMPRE el sistema de freno antibloqueo antes de añadir líquido de frenos o antes de reparar o realizar tareas de mantenimiento.

A menos que lo indique el procedimiento establecido por el fabricante, no abra NUNCA ninguna válvula de purga ni afloje ninguna tubería hidráulica con el sistema de freno antibloqueo a presión. Utilice SOLAMENTE líquidos de freno recomendados. En vehículos equipados con sistemas de freno antibloqueo, NO utilice líquidos de frenos a base de silicona.

Para obtener información detallada sobre sistemas de freno antibloqueo consulte siempre el manual de reparaciones correspondiente.

### ALIVIO DE PRESIÓN DE SISTEMAS DE FRENO ANTIBLOQUEO

Para obtener información detallada sobre el procedimiento de alivio de presión, consulte siempre el manual de usuario del vehículo o un manual de reparación apropiado. El procedimiento que se indica a continuación suele ser válido para la mayoría de los sistemas de freno antibloqueo.

Asegúrese de que el interruptor de arranque esté en la posición de apagado, o desconecte el cable negativo de la batería. Pise el pedal del freno de 25 a 40 veces. Cuando note un cambio considerable, pise el pedal unas cuantas veces más. Esto aliviará la presión en la mayoría de los sistemas. Abra con cuidado el depósito del líquido de frenos o los tubos del líquido de frenos. Rellene completamente el depósito del líquido de frenos y cuando haya terminado vuelva a conectar el cable de la batería.

### PURGA DE SISTEMAS DE FRENO ANTIBLOQUEO

Para obtener información detallada sobre el procedimientos de purga del líquido de frenos, consulte siempre un manual de reparación. Los frenos delanteros en la mayoría de los sistemas de freno antibloqueo se purgan manera convencional. La mayoría de las bombas hidráulicas y acumuladores de presión están provistos de una válvula de purga que se debe abrir para purgar el sistema de frenos cuando el sistema haya perdido líquido o se vaya a reemplazar. En algunos vehículos es necesario que el sistema esté a presión al purgar los frenos traseros. Algunos fabricantes automotrices usan procedimientos de purga que requieren equipos especializados.

### PURGA DE LOS TUBOS DE LIQUIDO DE FRENOS

La mayoría de los problemas relacionados con pedales que haya que pisar demasiado o que se sientan blandos suelen deberse a la presencia de aire en los tubos hidráulicos, lo que hace necesario purgar el sistema hidráulico. Este sistema puede purgarse fácilmente usando la bomba y accesorios de purga. Purgue las ruedas de una en una empezando por la rueda más cercana al cilindro maestro. El juego proporciona un método sencillo, limpio y rápido para purgar los tubos del líquido de frenos de automóviles. La creación de vacío en el vaso del recipiente hace que el líquido sea aspirado hacia el vaso. Se debe tener en cuenta que posiblemente se observe un flujo pequeño de burbujas en la manguera una vez que se haya purgado todo el líquido de los tubos. Esto se debe a la aspiración de la bomba que hace que se infiltre aire por las roscas de la conexión de purga aflojada. Una vez que se elimine todo el aire del sistema, estas pequeñas burbujas no afectarán negativamente la purga, ya que sólo están presentes en la conexión y no pasarán al sistema. Si lo desea puede poner un poco de grasa en las roscas de la conexión para eliminar la mayoría de las burbujas. A continuación se indica el procedimiento de purga correcto:

1) Asegúrese siempre de que el depósito del cilindro maestro esté lleno y de tener a mano líquido

## PURGA DE SISTEMAS DE FRENO

adicional de frenos nuevo para llenar al máximo el depósito cuando el nivel de líquido baje durante la purga. Asegúrese de que todas las conexiones de purga estén limpias antes de empezar la purga.

2) Purgue el sistema hidráulico siguiendo este orden: a) Conexiones de purga del cilindro maestro, de haberlas. (Si va a instalar un cilindro maestro nuevo o reconstruido siga el procedimiento indicado a continuación para purgar en el banco de trabajo. b) Las conexiones de purga de la válvula de combinación, de haberlas. c) Los cilindros y horquillas de las ruedas, en secuencia, empezando por la rueda más próxima al cilindro maestro y terminando por la rueda más alejada.

NOTA: Se recomienda seguir el orden del fabricante (si se sabe). El procedimiento dado en este artículo específica que se debe empezar a purgar la rueda más próxima al cilindro maestro. Sea cual sea el orden usado, asegúrese de purgar todo el aire del sistema.

3) Introduzca deslizando  $1\frac{1}{2}$ " de tubo entre la bomba y la tapa del vaso del depósito, en el orificio marcado "TO PUMP" (a la bomba) (FIGURA 1).

4) Conecte un tubo de plástico de unas 12" a la parte inferior de la tapa.

5) Conecte aproximadamente un tubo de 12" al otro orificio del vaso del depósito. Asegúrese de que

la tapa del depósito esté bien cerrada, pero no la apriete demasiado.

6) Seleccione los adaptadores apropiados. Los adaptadores universales en forma de L deben encajar de forma ajustada sobre la conexión de purga del freno para sellarla debidamente. Los adaptadores cónicos encajan por el agujero pasante y generalmente producirán un buen sellado cuando se introduzcan de forma apretada con un movimiento de presión y torsión. Conecte el adaptador a la manguera del depósito.

7) Ponga la llave en la conexión de purga del freno, conecte el conjunto de adaptador y bomba y bombee de 10 a 15 veces.

NOTA: Si las burbujas que salen de la conexión son muy pequeñas y de tamaño uniforme, es probable que el aire proceda del interior del sistema. No es necesario eliminar estas burbujas ya que no afectan el funcionamiento de los frenos. Si se desea, generalmente se pueden eliminar estas burbujas aplicando grasa o una cinta adhesiva de Teflon en las roscas para actuar como un sello.

8) Afloje un poco la conexión, sólo lo suficiente como para hacer que el líquido entre en el vaso (aproximadamente de  $\frac{1}{4}$  a  $\frac{1}{2}$  vuelta).

9) Apriete la conexión una vez evacuadas unas 2" de líquido en el vaso. Mantenga el cilindro maestro lleno.

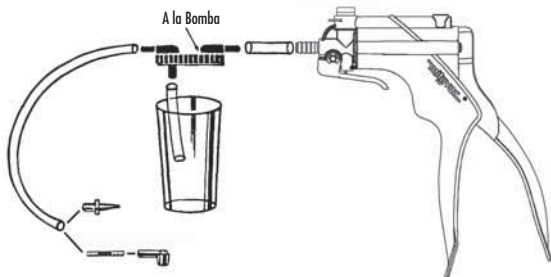


FIGURA 1: JUEGO DE PURGA DEL FRENO



## PURGA DE SISTEMAS DE FRENO

Repita todos los pasos anteriores en las demás ruedas. Si no pasa líquido al vaso después de abrir la conexión, asegúrese de que la tapa del vaso esté bien apretada. Si la tapa no está apretada firmemente no podrá generar suficiente vacío en el vaso. Ocasionalmente entrará suciedad en los tubos del líquido de frenos. En ese caso es posible que la bomba no sea completamente efectiva. Si ocurre esto, pida a alguien que pise el pedal del freno ligeramente una vez, con la válvula de purga abierta, y después continúe usando la bomba.

### PROCEDIMIENTO DE PURGA EN MOTOCICLETAS

Antes de purgar el sistema, cerciórese de lo siguiente:

- 1) Los pistones de la horquilla del freno se pueden mover libremente dentro de las horquillas.
- 2) El pistón del cilindro maestro puede regresar libremente al final de su carrera.
- 3) Inspeccione todas las conexiones del tubo para comprobar que estén bien apretadas.

### FRENO DELANTERO

1. Bombee la palanca del freno para asentar las pastillas de la horquilla contra el rotor.
2. Cubra el depósito de gasolina con plástico si está usando líquido DOT 3 (no es necesario hacer esto si está usando líquido DOT 5).
3. Quite la tapa del depósito del cilindro maestro y llénelo.
4. Seleccione los adaptadores apropiados. Los adaptadores de presión (en forma de "L") son de distintos tamaños (pequeño, mediano y grande). Debe poder apretarse bien en la conexión de purga del freno para sellarlo bien. Los adaptadores cónicos se ajustan dentro del agujero pasante de la conexión y por lo general producirán un buen sellado cuando se introducen de forma ajustada haciendo fuerza y girando firmemente. Conecte el adaptador a la manguera del depósito.
5. Bombee varias veces para producir un vacío. Abra ligeramente la válvula de purga con una llave de tubo para extraer líquido al recipiente. (Pare y

añada líquido cuando el nivel del cilindro maestro sea bajo. No permita la entrada de aire en el tubo). En este momento, todo el aire debe estar fuera del sistema y el tubo debe estar lleno de líquido. (Nota: Si entra aire en la manguera de la bomba alrededor de la conexión de purga, quite la conexión de purga y ponga cinta de Teflon solamente en la parte roscada del tornillo de purga).

6. Apriete la conexión de purga a la vez que mantiene el vacío en el tubo de la bomba.

7. Rellene el depósito y vuelva a poner la tapa. Compruebe el freno bombeando la palanca varias veces. Al pisar el pedal se debe sentir una resistencia firme y uniforme. Si no es así, repita el procedimiento de purga, ya que puede haber entrado más aire en el sistema. Inspeccione el tubo para asegurarse de que todas las conexiones estén bien apretadas. Si el freno parece estar aún flojo, consulte con un técnico de servicio.

En el caso de frenos delanteros de discos dobles, repita el procedimiento de purga como si se tratara de dos sistemas separados.

### FRENO TRASERO

El procedimiento para eliminar todo el aire del tubo del freno trasero es idéntico al procedimiento para el freno delantero. El depósito del freno trasero se está ubicado generalmente debajo de una de las tapas laterales.

1. Quite la tapa del cilindro maestro y llene el depósito has casi llenarlo.
2. Conecte la manguera de la bomba a la conexión de purga y bombee la palanca varias veces para crear un vacío.
3. Abra ligeramente el purgador con una llave de tubo. Debido a la cortedad del tubo, la mayor parte del aire debe evacuar la primera vez.
4. Al cerrar la válvula y repetir el proceso, se debe eliminar todo el aire del sistema. Pare y añada más líquido si baja el nivel en el cilindro maestro.
5. Rellene el depósito y vuelva a poner la tapa.

## PURGA DE SISTEMAS DE FRENO

### LOCALIZACIÓN Y RESOLUCIÓN DE PROBLEMAS

1. Si, después del procedimiento de purga, el freno sigue sin responder es posible que haya agua en el sistema, en cuyo caso tendrá que ser desmontado y limpiado por un técnico de servicio capacitado.
2. Si el freno chirría ligeramente después de purgarse, habrá que limpiar el disco y las pastillas del freno.
3. Aunque la mayoría de los fabricantes recomiendan el líquido DOT 3, este tiene tendencia a acumular humedad causando la pérdida de color común que se puede observar, lo que significa una menor eficiencia. El DOT 5 está basado en silicona y no tiene la misma tendencia a acumular humedad. Por otro lado, el DOT 5 no es fácil de conseguir, y los dos líquidos no deben mezclarse.
4. Las mangueras de goma son materiales de uso general en las motocicletas, pero tienen la tendencia de expandirse, lo que puede resultar en una reacción esponjosa del freno después de haber conducido el automóvil durante mucho tiempo. Las mangueras de acero trenzado no se expandirán así.

### PURGA DEL CILINDRO MAESTRO EN EL BANCO DE TRABAJO

Siempre que se quite el cilindro maestro de un vehículo o que se instale uno nuevo, se debe purgar el cilindro en el banco de trabajo. No purgar este cilindro en el banco es la causa principal de hacer sustituciones incorrectas del cilindro. La purga en el banco de trabajo reduce considerablemente la posibilidad de que entre aire en el cilindro después de volverlo a instalar. Siga este procedimiento:

- 1) Tapone los orificios de salida del cilindro maestro y sujete el cilindro en una prensa de banco sin apretar mucho y con el extremo de la varilla de empuje un poco sacado. **NOTA:** Se puede dañar el cilindro si se sujeta por el interior o si los depósitos están demasiado apretados.
- 2) Llene el cilindro maestro con un líquido de frenos adecuado y manténgalo lleno durante todo este procedimiento.

3) Quite un tapón del cilindro maestro y conecte el adaptador apropiado a este orificio de salida del cilindro maestro. Conecte el tubo de la bomba al vaso del depósito y el tubo del vaso a la manguera al adaptador (FIGURA 2).

4) Accione la bomba y observe el paso de aire y líquido al depósito hasta que aparezca un líquido transparente sin burbujas.

5) Tapone bien el orificio de salida y repita el paso 4 en los otros orificios de salida.

6) Sujete el cilindro maestro en un tornillo de banco con el extremo de la varilla de empuje ligeramente bajado. Deslice lentamente la varilla de empuje del cilindro maestro hacia adentro y hacia afuera aproximadamente  $\frac{1}{8}$ ", hasta que no observe burbujas de aire en los depósitos.

7) Vuelva a montar el cilindro maestro con el extremo de la varilla de empuje hacia arriba y repita los pasos 3 y 4 con los demás orificios de salida. Tapone bien los orificios. Ahora, el cilindro maestro estará purgado y listo para instalarse.

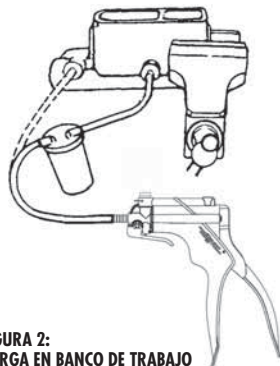


FIGURA 2:  
PURGA EN BANCO DE TRABAJO

## MANUEL D'UTILISATION

### Une question technique?

Pour toute question ou en cas de besoin d'assistance technique, prendre contact avec nos techniciens spécialisés au : 1-314-679-4200, poste 4782, lundi – vendredi, 7 heures 30 à 16 heures 15 (heure normale du Centre des Etats-Unis)

Visiter notre site Web à [www.mityvac.com](http://www.mityvac.com) pour nos nouveaux produits, nos catalogues et le mode d'emploi de nos produits.

### Besoin de pièces détachées ?

Pour commander des pièces détachées, nous rendre visite en ligne à [www.mityvacparts.com](http://www.mityvacparts.com) ou nous appeler sans frais au 1-800-002-9898.

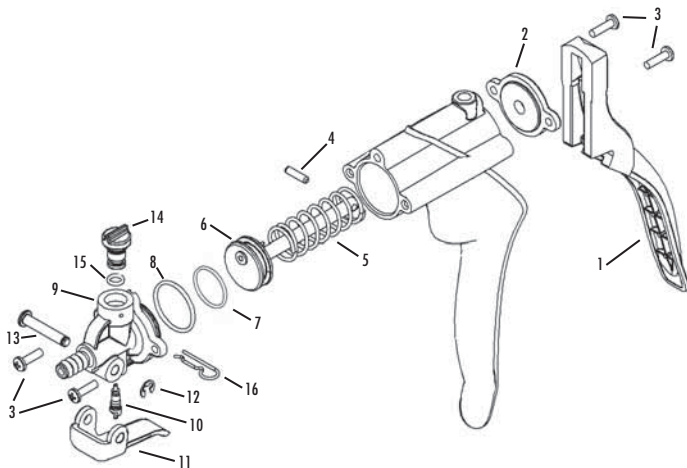


## **TABLE DES MATIÈRES**

---

Pièces détachées et accessoires .....	21
Accessoires optionnels .....	22
La pompe .....	23
Purge des freins .....	24
Garantie .....	28

# PIÈCES DÉTACHÉES ET ACCESSOIRES



## KITS D'ENTRETIEN DE POMPE

	824551	MVM8901	824550	824552	824553	824493
1	X					
2					X	
3		X				
4		X				
5		X				
6		X				
7		X				
8		X				
9		X				
10		X				X
11				X		
12				X		
13				X		
14			X			
15			X			
16			X			



MVA6913 –  
Kit d'adaptateur de purge



MVA6912 –  
Kit d'adaptateur de diagnostic



822391 – Tubes (2)



MVA6910 –  
Kit de réservoir

## ACCESSOIRES OPTIONNELS



MVA6825

MVA6832

Les accessoires optionnels suivants sont conçus pour améliorer et étendre la fonctionnalité et les utilisations des pompes d'aspiration à main Mityvac.

### MVA6825 KIT DE REMPLISSAGE DE MAÎTRE-CYLINDRE

Remplit automatiquement le maître-cylindre de frein ou d'embrayage avec du fluide frais pendant la procédure de purge par le vide. Se monte sur les bouteilles standard de fluide de frein de 12 oz et de 32 oz.

### MVA6832 KIT DE REMPLISSAGE AUTOMATIQUE À ÉTRIÉR

Remplit automatiquement le maître-cylindre de frein ou d'embrayage avec du fluide frais pendant la procédure de purge par le vide. Comprend un réservoir de 40 oz ou se monte sur les bouteilles standard de fluide de frein de 40 oz et de 12 oz. Offre des caractéristiques et fonctionnalités améliorées par rapport à MVA6825.



MVA6834

### MVA6834 KIT DE MISE À JOUR DE REMPLISSAGE AUTOMATIQUE À PLAQUE

Mise à jour de MVA6832 pour inclure les applications de remplissage d'un maître-cylindre avec de l'espace limité ou des goulots de réservoir non standard. Nécessite l'achat de MVA6832.



MVA6000

### MVA6000 KIT D'ACCESSOIRES AUTOMOBILES COMPLET

Contient des accessoires pour faire les essais et le diagnostic de douzaines de fonctions mécaniques automobiles et de performance et pour la purge par une seule personne des freins et d'un embrayage hydraulique.



MVA6005

MVA6007

### MVA6005 16 OZ KIT DE RÉSERVOIR DE FLUIDE

Kit avec grand réservoir de fluide de 16 oz pour la purge de freins et la collecte et la fourniture de fluides.

### MVA6845 KIT POUR BOCAL MASON

Kit accessoire pour utilisation de bocaux Mason standard et à grande ouverture pour l'évacuation ou la distribution de fluides.



MVA6845

### MVA6001 KIT DE TRANSFERT DE FLUIDE

Contient des accessoires pour le siphonnage, le transfert, l'extraction ou la distribution de fluides en utilisant une pompe manuelle à vide ou de pression.



MVA6001

### MVA6007 KIT DE PURGE À DEUX ADAPTATEURS

Four la purge simultanée des systèmes de freins à deux étriers de motos.

### MVA6178 MANOMÈTRE DE VIDE AVEC ÉCHELLE EN POUÇES DE HG.

Manomètre à diaphragme sans engrenages, de 50 mm (2 po) de diamètre, avec une échelle principale de 0 à 30 po de Hg et une échelle de 0 à -100 kPa.



MVA6178

MVA6179

MVA6180

### MVA6179 MANOMÈTRE DE VIDE AVEC ÉCHELLE EN MBAR

Manomètre à diaphragme, sans engrenages, de 64 mm (2-1/2 po) de diamètre et une échelle de 0 à -1000 mm et une échelle de 0 à 30 Po de mercure.

### MVA6180 MANOMÈTRE DE VIDE AVEC ÉCHELLE EN KPA

Manomètre à diaphragme sans engrenages, de 50 mm (2 po) de diamètre, avec une échelle de 0 à -100 kPa.

# LA POMPE

---

La pompe à vide est un outil de réparation extrêmement polyvalent qui peut être utilisé pour exécuter un certain nombre de tâches utiles. La pompe et ses accessoires sont utiles pour transférer des fluides, aider à purger les freins et aider à d'autres tâches.

## DESCRIPTION

La pompe à dépression à main est simple, précise, conviviale et offre de nombreuses applications. Elle se compose d'un corps de pompe, d'une poignée mobile et d'un raccord. Il est facile de tenir la pompe dans la main et, lorsqu'on presse sa poignée, le raccord avant produit une dépression.

## DÉLESTAGE DE DÉPRESSION

On peut délester la dépression en soulevant le levier de délestage. Cela permet à l'air de pénétrer dans le circuit et ainsi de délester la dépression. La dépression sera également délestée lorsqu'on débranche le tuyau du raccord avant.

## CARACTÉRISTIQUES TECHNIQUES

Dépression maximum	25 po Hg
au niveau de la mer	(85 kPa)

---

Cylindrée:	16 cm <sup>3</sup> (1 po <sup>3</sup> )
------------	---

---

## ENTRETIEN CORRECT

La pompe est un instrument de précision très solide. La manipuler avec précaution! Si on prend soin de la pompe, on en tirera de nombreuses années de service sans problème.

## LUBRIFICATION

La pompe est lubrifiée à l'usine avec de l'huile de silicone qui devrait être d'une très grande longévité. S'il s'avère nécessaire de la lubrifier, utiliser de l'huile de silicone. Si on ne peut s'en procurer, on peut utiliser du liquide de frein à base de silicone DOT 5 (pas DOT 3) ou de l'huile végétale. Ne pas utiliser de liquides à base de pétrole ni de lubrifiants en bombe (WD-40, huile moteur, etc.) car ils endommageront la pompe.

## PURGE DES FREINS

De nombreux systèmes de freinage comportent aujourd'hui des fonctions antiblocage et des commandes électroniques. Un grand nombre de ces systèmes utilisent une pompe électrique à haute pression pour rester pressurisés. La purge et l'entretien de ces systèmes exigent des méthodes et des précautions particulières.

- **TOUJOURS** prendre les précautions suivantes lors de l'entretien d'un système de freinage antiblocage :
- **TOUJOURS** porter des lunettes étanches lors de l'entretien des systèmes de freinage haute pression.
- **TOUJOURS** dépressuriser le système de freinage antiblocage avant de faire l'appoint de liquide et de procéder à l'entretien ou à une réparation.
- Sauf indication contraire du constructeur, **NE JAMAIS** ouvrir une valve de purge ni desserrer un raccord de conduite hydraulique quand le système de freinage antiblocage est pressurisé.
- Utiliser **UNIQUEMENT** les liquides de frein recommandés. **NE PAS** utiliser de liquide de frein au silicone dans les véhicules équipés d'un système de freinage antiblocage.
- Toujours consulter un manuel de réparation approprié pour plus de détails sur les systèmes de freinage antiblocage.

### DÉPRESSURISATION DES SYSTÈMES DE FREINAGE ANTIBLOCAGE

Toujours consulter le manuel d'utilisation du véhicule ou un manuel de réparation approprié pour plus de détails sur la méthode de dépressurisation. Cette méthode sera applicable à la plupart des systèmes de freinage antiblocage. Veiller à placer la clé de contact à la position OFF ou débrancher le câble négatif de batterie. Appuyer 25 à 40 fois sur la pédale de frein. Un changement évident se fait sentir. Appuyer sur la pédale quelques fois de plus. Cela devrait dissiper la plus grande partie de la pression du système. Ouvrir le réservoir de liquide ou débrancher les conduites de freins avec précaution. Faire l'appoint de liquide dans le réservoir et raccorder le câble de batterie une fois l'opération terminée.

### PURGE DES SYSTÈMES DE FREINAGE ANTIBLOCAGE

Toujours consulter le manuel d'utilisation du véhicule ou un manuel de réparation approprié pour la méthode de purge des freins préconisée par le constructeur. Les freins avant de la plupart des systèmes

de freinage antiblocage peuvent être purgés de la manière traditionnelle. La plupart des pompes / accumulateurs de pression hydrauliques sont pourvus d'un robinet de purge qui doit être ouvert quand le système a perdu du liquide ou quand celui-ci doit être remplacé. Certains véhicules exigent que le système soit pressurisé lors de la purge des freins arrière. Certains constructeurs automobiles utilisent des méthodes de purge qui exigent un matériel spécialisé.

### PURGE DES CONDUITES DE FREINS

La plupart des problèmes de position basse et de mollesse de la pédale sont causés par la présence d'air dans les conduites hydrauliques, ce qui exige la purge du circuit hydraulique. Il est possible de purger facilement le circuit en utilisant la pompe et ses accessoires de purge des freins. Procéder une roue à la fois en commençant par celle qui est la plus proche du maître-cylindre. Le kit permet d'employer une méthode simple, propre et rapide de purge des conduites de liquides d'un système de freinage automobile. Lorsqu'un vide est créé dans le récipient, le liquide est attiré dans celui-ci. Il convient de noter qu'un minuscule courant de bulles peut être observé dans le tuyau une fois que les conduites sont purgées de tout l'air qu'elles contiennent. Il est causé par l'air qui fuit autour du filetage du raccord de purge desserré et qui est réaspiré via le raccord par la succion de la pompe. Une fois que l'air est éliminé du système, ces minuscules bulles ne compromettent pas la purge dans la mesure où elles ne sont présentes qu'au niveau du raccord et ne pénètrent pas dans le système. On peut si on le désire placer de la graisse ou du ruban Téflon autour du filetage du raccord pour éliminer la plus grande partie des bulles. La méthode correcte de purge est la suivante :

1) Toujours veiller à ce que le réservoir du maître-cylindre soit rempli et à disposer de liquide de frein frais propre du type correct pour faire l'appoint dans le réservoir au fur et à mesure que le niveau de liquide baisse pendant la purge. S'assurer que tous les raccords de purge sont propres avant de commencer la purge.

2) Purger le circuit hydraulique dans l'ordre suivant :

A) Raccords de purge du maître-cylindre, le cas échéant. En cas de montage d'un maître-cylindre neuf ou remis à neuf, procéder à une purge sur établi comme indiqué plus loin.



## PURGE DES FREINS

- B) Raccords de purge de la valve mixte, le cas échéant.
- C) Cylindres de roues et étriers les uns après les autres, en commençant par la roue la plus proche du maître-cylindre et en terminant par la plus éloignée. **REMARQUE** : respecter l'ordre de purge recommandé par le constructeur (si on le connaît). La méthode décrite ici précise de commencer la purge à la roue la plus proche du maître-cylindre. Quel que soit l'ordre appliqué, toujours veiller à ce que le système soit purgé de tout l'air qui s'y trouve.
- 3) Glisser 3,8 cm (1-1/2po) de tuyau entre la pompe et le couvercle du récipient à l'orifice marqué « VERS LA POMPE » (FIGURE 1).
- 4) Brancher un tuyau de plastique de 8,9 cm (3-1/2 po) au bas du couvercle.
- 5) Raccorder un morceau de tuyau d'au moins 30 cm (12 po) à l'autre orifice du récipient. S'assurer que le couvercle du récipient est bien serré mais pas trop.
- 6) Choisir le(s) adaptateur(s) approprié(s). Les adaptateurs universels en L doivent bien s'ajuster sur le raccord de purge pour garantir une étanchéité correcte. Les adaptateurs coniques s'ajustent à l'intérieur du trou débouchant du raccord et assurent généralement une bonne étanchéité lorsqu'ils sont enfoncés avec un mouvement de poussée et de rotation. Raccorder un adaptateur au tuyau du récipient.
- 7) Placer une clé sur le raccord de purge de frein. Raccorder un adaptateur et la pompe puis actionner celle-ci 10 à 15 fois. **REMARQUE** : si les bulles sortant du raccord sont très petites et de la même grosseur, il est probable que l'air vient de l'intérieur du système. Il n'est pas nécessaire d'éliminer ces bulles dans la mesure où elles n'affectent pas le fonctionnement des freins. Si on le désire, on peut généralement les éliminer en plaçant de la graisse ou du ruban Téflon autour du filetage pour servir de joint d'étanchéité.
- 8) Ouvrir légèrement le raccord, juste assez pour laisser le liquide pénétrer dans le récipient, en le tournant généralement de 1/4 à 1/2 tour.
- 9) Après avoir laissé s'écouler 5 cm (2 po) environ de liquide dans le récipient, fermer le raccord et remplir le maître-cylindre. Répéter toutes les opérations précédentes sur toutes les autres roues. Si du liquide n'est pas attiré dans le récipient une fois le raccord ouvert, s'assurer que le couvercle du récipient est bien serré. Il sera impossible de créer le vide nécessaire dans le récipient si son couvercle n'est pas bien en place. Un peu de crasse pénétrera de temps en temps dans la conduite de frein ; il se peut alors que la pompe ne soit pas totalement efficace. Si c'est le cas, demander à quelqu'un d'appuyer légèrement une fois sur la pédale de frein, la valve de purge étant ouverte, puis utiliser la pompe.

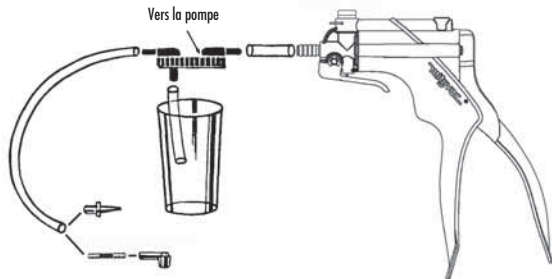


FIGURE 1: KIT DE PURGE DE FREIN

## PURGE DES FREINS

### PURGE DES FREINS D'UNE MOTOCYCLETTE

Avant de purger le système, s'assurer que :

- 1) Les pistons d'étriers de freins se déplacent librement à l'intérieur des étriers.
- 2) Le piston du maître-cylindre est libre de revenir au bout de sa course et
- 3) Examiner la conduite pour s'assurer que tous les raccords sont serrés.

### FREIN AVANT

- 1) Actionner le levier de frein pour positionner les plaquettes de l'étrier contre le disque.
- 2) Recouvrir le réservoir d'essence de plastique pour le protéger si on utilise du liquide DOT 3 (ce n'est pas nécessaire en cas d'utilisation de liquide DOT 5).
- 3) Enlever le bouchon du réservoir du maître-cylindre et remplir le réservoir.
- 4) Choisir le(s) adaptateur(s) approprié(s). Les adaptateurs universels en L doivent bien s'ajuster sur le raccord de purge pour garantir une étanchéité correcte. Les adaptateurs coniques s'ajustent à l'intérieur du trou débouchant du raccord et assurent généralement une bonne étanchéité lorsqu'ils sont enfoncés avec un mouvement de poussée et de rotation. Raccorder un adaptateur au tuyau du récipient.
- 5) Actionner la pompe plusieurs fois pour créer un vide. Entrouvrir la valve de purge à l'aide d'une clé polygonale pour extraire du liquide et le faire pénétrer dans le récipient. (Arrêter et faire l'appoint de liquide quand le niveau commence à être bas dans le maître-cylindre. Ne pas laisser d'air pénétrer dans la conduite.) Tout l'air devrait alors être sorti du système et la conduite être remplie de liquide. (Remarque : si de l'air pénètre dans le tuyau de la pompe depuis le pourtour du raccord de purge, retirer ce dernier et appliquer du ruban Téflon sur la partie fileté de la vis de purge seulement. Cela empêchera l'air de fuir autour du filetage de cette vis.)

6) Tout en maintenant une dépression dans la conduite de la pompe, serrer le raccord de purge.

7) Faire l'appoint dans le réservoir et remettre le couvercle. Contrôler le frein en actionnant plusieurs fois le levier. La pédale doit être ferme. Sinon, répéter la purge car d'autre air a pu pénétrer dans le système. Examiner la conduite pour s'assurer que tous ses

raccords sont serrés. Si le frein continue à être mou, consulter un technicien d'entretien. En cas de freins avant à disque jumelés, répéter la purge comme s'il s'agissait de deux circuits distincts.

### FREIN ARRIÈRE

Purger la conduite de frein arrière de tout l'air qui s'y trouve comme pour l'avant. Le réservoir du frein arrière se trouve généralement en dessous de l'un des caches latéraux.

- 1) Enlever le bouchon du maître-cylindre et le remplir presque complètement.
- 2) Brancher le tuyau de la pompe au raccord de purge et actionner plusieurs fois la poignée pour créer une dépression.
- 3) Entrouvrir le purgeur à l'aide d'une clé polygonale. À cause de la faible longueur de la conduite, la plus grande partie de l'air devrait alors s'être échappée.
- 4) Si on ferme la valve et répète l'opération, tout l'air devrait être éliminé du circuit. Arrêter et faire l'appoint de liquide quand le niveau devient bas dans le maître-cylindre.
- 5) Faire l'appoint dans le réservoir et le reboucher.

### DÉPANNAGE

- 1) Si, à l'issue de la purge, le frein continue à ne pas réagir, il se peut que de l'eau soit présente dans le circuit, auquel cas celui-ci devra être démonté et nettoyé par un technicien d'entretien qualifié.
- 2) Si le frein grince légèrement à l'issue de la purge, le disque et les plaquettes doivent être nettoyés.
- 3) Bien que le liquide DOT 3 soit recommandé par la plupart des constructeurs, il a tendance à absorber l'humidité, ce qui cause la décoloration que l'on observe couramment, et cela signifie une baisse de l'efficacité. Le DOT 5 est à base de silicone et n'a pas la même tendance à absorber l'humidité. Il offre également une tolérance plus élevée. Le DOT 5 n'est toutefois pas toujours facile à trouver et les deux types de liquide ne peuvent être mélangés.
- 4) Des tuyaux en caoutchouc sont standard sur la plupart des motocyclettes mais ils ont tendance à se dilater, ce qui peut entraîner une mollesse du freinage lorsqu'on atteint un kilométrage important. Une conduite métallique flexible ne se dilatera pas comme cela.

## PURGE DES FREINS

### PURGE SUR ÉTABLI DU MAÎTRE-CYLINDRE

Chaque fois qu'un maître-cylindre a été déposé d'un véhicule ou qu'un neuf est monté, il doit être purgé sur établi. L'absence d'une purge sur établi est la principale raison de l'échec du remplacement d'un maître-cylindre. La purge sur établi réduit grandement le risque d'un emprisonnement d'air dans le cylindre lors de sa remise en place. Procéder comme suit :

1) Obtenir les orifices de sortie du maître-cylindre et le serrer doucement dans un étau en surélevant légèrement le côté tige de poussée. **REMARQUE :** le maître-cylindre risque d'être endommagé s'il est serré par l'alésage ou si les réservoirs sont très serrés.

Remplir le maître-cylindre de liquide de frein d'un type agréé et le maintenir rempli en permanence pendant les opérations.

3) Enlever un bouchon du maître-cylindre et raccorder l'adaptateur correct à cet orifice de sortie du maître-cylindre. Raccorder le tube de pompe au récipient et celui de ce dernier à l'adaptateur (FIGURE 2).

4) Actionner la pompe et observer l'air et le liquide circulant dans le récipient jusqu'à ce que du liquide clair sans bulle apparaisse.

6) Boucher l'orifice de sortie en serrant bien et répéter l'étape 4 à tous les autres orifices de sortie.

6) Serrer le maître-cylindre dans un étau en abaissant légèrement le côté tige de poussée. Faire lentement glisser la tige de poussée du maître-cylindre de 3 mm (1/8 po) dans les deux sens jusqu'à ce qu'on ne puisse plus voir de bulles d'air dans les réservoirs.

7) Remonter le maître-cylindre avec le côté tige de poussée relevé et exécuter les étapes 3 et 4 à tous les orifices de sortie. Boucher les orifices en serrant bien. Le maître-cylindre est alors libre d'air et prêt à être mis en place.

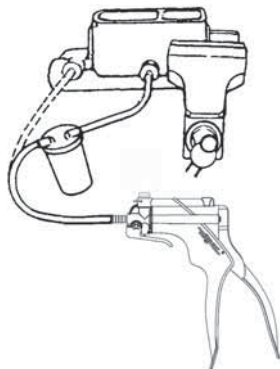


FIGURE 2: PURGE SUR ÉTABLI

# LINCOLN INDUSTRIAL STANDARD WARRANTY

## GARANTÍA ESTÁNDAR DE LINCOLN INDUSTRIAL / GARANTIE STANDARD LINCOLN INDUSTRIAL

### LIMITED WARRANTY

Lincoln warrants the equipment manufactured and supplied by Lincoln to be free from defects in material and workmanship for a period of one (1) year following the date of purchase, excluding therefrom any special, extended, or limited warranty published by Lincoln. If equipment is determined to be defective during this warranty period, it will be repaired or replaced, within Lincoln's sole discretion, without charge.

This warranty is conditioned upon the determination of a Lincoln authorized representative that the equipment is defective. To obtain repair or replacement, you must ship the equipment, transportation charges prepaid, with proof of purchase to a Lincoln Authorized Warranty and Service Center within the warranty period.

This warranty is extended to the original retail purchaser only. This warranty does not apply to equipment damaged from accident, overload, abuse, misuse, negligence, faulty installation or abusive or corrosive material, equipment that has been altered, or equipment repaired by anyone not authorized by Lincoln. This warranty applies only to equipment installed, operated and maintained in strict accordance with the written specifications and recommendations provided by Lincoln or its authorized field personnel.

**THIS WARRANTY IS EXCLUSIVE AND IS IN LIEU OF ANY OTHER WARRANTIES, EXPRESSED OR IMPLIED, INCLUDING, BUT NOT LIMITED TO, THE WARRANTY OF MERCHANTABILITY OR WARRANTY OF FITNESS FOR A PARTICULAR PURPOSE.**

In no event shall Lincoln be liable for incidental or consequential damages. Lincoln's liability for any claim for loss or damages arising out of the sale, resale or use of any Lincoln equipment shall in no event exceed the purchase price. Some jurisdictions do not allow the exclusion or limitation of incidental or consequential damages, therefore the above limitation or exclusion may not apply to you.

This warranty gives you specific legal rights. You may also have other rights that vary by jurisdiction.

Customers not located in the Western Hemisphere or East Asia: Please contact Lincoln GmbH & Co. KG, Waldorf, Germany, for your warranty rights.

Lincoln Industrial Contact Information: To find Lincoln Industrial's Nearest Service Center call the following numbers, or you may also use our website.

Customer Service: 314-679-4200

Website: [lincolnindustrial.com](http://lincolnindustrial.com)

### GARANTÍA LIMITADA

Lincoln garantiza que los equipos fabricados y suministrados por Lincoln carecen de defectos de material y mano de obra durante un periodo de un (1) año a partir de la fecha de compra, excluyendo a partir de la misma compra cualquier garantía especial, ampliada o limitada publicada por Lincoln. Si se determina que un equipo tiene algún defecto durante este periodo de garantía, será reparado o reemplazado, a discreción única de Lincoln, sin cargo alguno.

Esta garantía está condicionada a la determinación de un representante autorizado de Lincoln de que el equipo es defectuoso. Para su reparación o sustitución, usted tiene que enviar el equipo, con los gastos de transporte pagados por anticipado y con un cheque de la compra, a un Centro de Servicio y Garantía Autorizado de Lincoln dentro del periodo de garantía.

Esta garantía se extiende solo al comprador al por menor original. Esta garantía no se aplica a los equipos dañados a causa de un accidente, sobrecarga, abuso, uso indebido, negligencia, instalación defectuosa o materiales abrasivos o corrosivos, equipos que hayan sido alterados, o equipos reparados por cualquier persona que no haya sido autorizada por Lincoln. Esta garantía solo se aplica a los equipos instalados, operados y mantenidos en estricta conformidad con las especificaciones y recomendaciones por escrito proporcionadas por Lincoln o su personal de campo autorizado.

**ESTA GARANTÍA ES EXCLUSIVA Y ES EN LUGAR DE A CUALQUIER OTRA GARANTÍA, EXPRESA O IMPLÍCITA, INCLUIDAS, ANQUE SI SE LIMITARISE A LAS PROMISAS. LA GARANTÍA DE COMERCIALIZACIÓN O GARANTÍA DE IDONEIDAD PARA UN FIN PARTICULAR.**

En ningún caso deberá ser responsable Lincoln de los daños fortuitos o emergentes. La responsabilidad de Lincoln por cualquier reclamación de pérdidas o daños que surjan de la venta, reventa o utilización de cualquier equipo de Lincoln no deberá exceder en ningún caso el precio de compra. Algunas jurisdicciones no admiten las exclusiones o limitaciones de los daños fortuitos o emergentes y, por lo tanto, puede que la anterior limitación o exclusión no se aplique a su caso.

Esta garantía le proporciona derechos legales específicos. Usted puede tener también otros derechos que varían de una jurisdicción a otra.

Los clientes no ubicados en el Hemisferio Occidental o el Este de Asia: pónganse en contacto con Lincoln GmbH & Co. KG, Waldorf, Alemania, para conocer sus derechos de garantía.

Información de contacto de Lincoln Industrial: Para buscar el Centro de Servicio Lincoln Industrial más cercano, llame a los siguientes números, o también puede visitar nuestro sitio web.

Atención al Cliente 314-679-4200

Sitio Web: [lincolnindustrial.com](http://lincolnindustrial.com)

### GARANTIE LIMITÉE

Lincoln garantit l'appareillage fabriqué et fourni par Lincoln contre les défauts de matières et de fabrication pendant une période d'un (1) an à compter de la date d'achat, excluant toute autre garantie spéciale, prolongée ou limitée rendue publique par Lincoln. Si il est déterminé, dans les limites de cette période de garantie, que l'appareillage est défectueux, il sera réparé ou remplacé gratuitement, à la seule discrétion de Lincoln. Cette garantie est tributaire de la détermination par un représentant habilité de Lincoln que l'appareillage est défectueux. Pour être réparé ou remplacé, l'appareillage doit être retourné en port payé accompagné d'une preuve d'achat et d'un centre de garantie et de réparation Lincoln agréé dans les limites de la période de garantie.

Cette garantie n'est offerte qu'à l'acheteur initial ou détail. Cette garantie ne s'applique pas à un appareillage endommagé ôla suite d'un accident, d'une surcharge, d'un usage abusif ou incorrect, de la négligence, d'un raccordement incorrect, d'un contact avec un matériau abrasif ou corrosif, d'une modification ou d'une réparation effectuée par quiconque n'est pas agréé par Lincoln. Cette garantie ne s'applique qu'à l'appareillage raccordé, utilisé et entretenu en stricte conformité avec les spécifications et recommandations communiquées par écrit par Lincoln ou son personnel technico-commercial habilité.

**CETTE GARANTIE EXCLUT ET SE SUBSTITUE À TOUTE AUTRE GARANTIE EXPLICITE OU TACITE, Y COMPRIS, ENTRE AUTRES, CELLES DE QUALITÉ MARCHANDE ET D'ADAPTATION À UN USAGE PARTICULIER.**

Lincoln ne sera en aucun cas responsable de dommages accessoires ou indirects. La responsabilité de Lincoln en cas de demande d'indemnisation pour pertes ou dommages liés à la vente, revente ou utilisation de tout appareillage Lincoln n'ira en aucun cas au-delà du prix d'achat. Certaines collectivités territoriales s'autorisent pas l'exclusion ni la limitation des dommages accessoires ou indirects. Il se peut donc que la limitation ou exclusion mentionnée ci-dessus ne s'applique pas. Cette garantie confère des droits précis. Il peut toutefois en exister d'autres qui varient d'une collectivité territoriale à l'autre. Les clients résidant hors de l'hémisphère occidental ou de l'Asie orientale sont priés de se renseigner auprès de Lincoln GmbH & Co, Waldorf, Allemagne, sur les droits dont ils jouissent au titre de la garantie.

Coordonnées de Lincoln Industrial : Pour localiser le centre de réparation de Lincoln Industrial le plus proche, appeler l'un des numéros ci-dessous ou utiliser notre site Web.

Service clientèle: 314-679-4200

Sitio Web: [lincolnindustrial.com](http://lincolnindustrial.com)

**América:**  
One Lincoln Way, St. Louis, MO 63120-1578 USA  
Phone +1 314.679.4200  
Fax +1.800.424.5359

**Europe/Africa:**  
Heinrich-Hertz Str 2-8, D-69183 Waldorf, Germany  
Phone +49 6227 33 0  
Fax +49 6227 33 259

**Asia/Pacific:**  
25 Int'l Business Park, #01-65 German Centre  
Singapore 609916  
Phone +65 562 7960  
Fax +65 562 9967

**América:**  
One Lincoln Way, St. Louis, MO 63120-1578 EE. UU.  
Teléfono +1 314.679.4200  
Fax +1.800.424.5359

**Europe/Africa:**  
Heinrich-Hertz Str 2-8, D-69183 Waldorf, Alemania  
Teléfono +49 6227 33 0  
Fax +49 6227 33 259

**Asia/Pacific:**  
25 Int'l Business Park, #01-65 German Centre  
Singapore 609916  
Teléfono +65 562 7960  
Fax +65 562 9967

**América:**  
One Lincoln Way, St. Louis, MO 63120-1578 USA  
Téléphone +1 314.679.4200  
Télécopie +1.800.424.5359

**Europe/Africa:**  
Heinrich-Hertz Str 2-8, D-69183 Waldorf, Germany  
Téléphone +49 6227 33 0  
Télécopie +49 6227 33 259

**Asia/Pacific:**  
25 Int'l Business Park, #01-65 German Centre  
Singapore 609916  
Téléphone +65 562 7960  
Télécopie +65 562 9967

## Declaration of Conformity as defined by Machinery directive 98/37/EG Annex II A

This is to declare that the design of the  
**Hand-held Vacuum and Low Pressure pumps for Mityvac products**  
in the version supplied by Lincoln Industrial, complies with provisions of the Directives 98/37/EG.

*Applied harmonized standards in particular:*

EN 292-1	Safety of machinery part 1 Basic terminology, methodology
EN 292-2 and	Safety of machinery part 2 Technical principles specifications
EN 809	Pumps and pump units for liquids Safety requirements.

## Déclaration de la conformité comme définie par l'annexe II A de Machinery Directive 98/37/EG.

Ce doit déclarer que la conception du  
**Pompes de vide tenu dans la main et de basse  
pression pour des produits de Mityvac**  
dans la version fournie par nous, se conforme aux dispositions  
du 98/37/EG directif.

*Normes harmonisées appliquées en particulier*

EN 292-1	Safety of machinery part 1 Basic terminology, methodology
EN 292-2 and	Safety of machinery part 2 Technical principles specifications
EN 809	Pumps and pump units for liquids Safety requirements



St. Louis, MO 11/09/2004. Ayzik Grach, Manager, Product Engineering.

## EG-Konformitätserklärung nach Richtlinie 98/37/EG Anhang II A

Hiermit erklären wir, dass dieses Produkt

### **Handvakuum- und Niederdruckpumpen für Mityvac Produkte**

in der von uns gelieferten Ausführung den Bestimmungen der  
Richtlinie 98/37/EG für Maschinen entspricht.

*Angewendete harmonisierte Normen, insbesondere:*

- |          |   |
|----------|---|
| EN 292-1 | Safety of machinery part 1 Basic terminology,<br>methodology          |
| EN 292-2 | Safety of machinery part 2 Technical principles and<br>specifications |
| EN 809   | Pumps and pump units for liquids Safety<br>requirements               |

### **Declaración de la conformidad según lo definido por el anexo II A de Machinery Directive 98/37/EG**

Éste debe declarar que el diseño de la

### **Bombas del vacío hand-held y de la presión baja para los productos de Mityvac**

en la versión provista por nosotros, se conforma con las  
provisiones del 98/37/EG directive.

*Estándares armonizados aplicados en detalle:*

- |                 |  |
|-----------------|--|
| EN 292-1        | Safety of machinery part 1 Basic terminology,<br>methodology             |
| EN 292-2<br>and | Safety of machinery part 2 Technical principles<br>and<br>specifications |
| EN 809          | Pumps and pump units for liquids Safety<br>requirements                  |



St. Louis, MO 11/09/2004. Ayzik Grach, Manager, Product Engineering.



