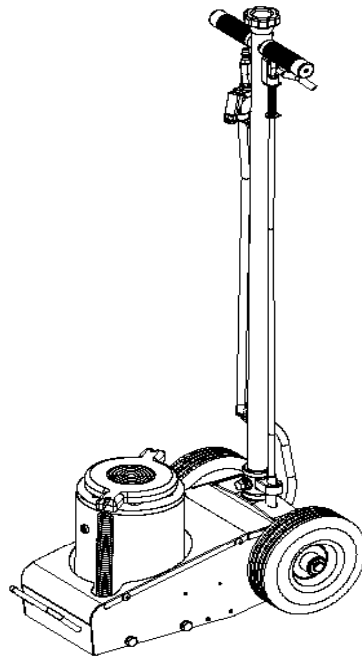


Operating Instructions & Parts Manual



Hydraulic Truck Jack

Model
23227
23501
23991



Capacity
22/35 Ton
50 Ton
100 Ton

U.S. Patent No's.
5,341,723 • 5,946,912


Models 23227, 23501 & 23991



This is the safety alert symbol. It is used to alert you to potential personal injury hazards. Obey all safety messages that follow this symbol to avoid possible injury or death.

⚠ WARNING

To avoid **crushing and related injuries**:



NEVER work on, under or around a load supported only by a hydraulic jack. **ALWAYS** use adequately rated jack stands.

Read this manual and follow all the Safety Rules and Operating Instructions before using this product.

SAFETY and GENERAL INFORMATION

Save these instructions. For your safety, read, understand, and follow the information provided with and on this jack before using. The owner and operator of this equipment shall have an understanding of this jack and safe operating procedures before attempting to use. The owner and operator shall be aware that use and repair of this product may require special skills and knowledge. Instructions and safety information shall be conveyed in the operator's native language before use of this jack is authorized. If any doubt exists as to the safe and proper use of this jack, remove from service immediately.

Inspect before each use. Do not use if broken, bent, cracked or damaged parts are noted. Any jack that appears damaged in any way, or operates abnormally shall be removed from service immediately. If the jack has been or suspected to have been subjected to a shock load (a load dropped suddenly, unexpectedly upon it), immediately discontinue use until jack has been checked by a factory authorized service center (contact distributor or manufacturer for list of authorized service centers). It is recommended that an annual inspection be done by qualified personnel. Labels and Operator's Manuals are available from manufacturer.

PRODUCT DESCRIPTION

These Hydraulic Truck Jacks are designed to lift, but not support, rated capacity partial vehicle loads consisting of one end of a vehicle. **Immediately** after lifting, loads must be supported by a pair of appropriately rated jack stands.



WARNING: *Never use a hydraulic truck jack as a stand-alone device. After lifting, **immediately** support the lifted vehicle with a pair of appropriately rated jack stands.*

PREPARATION

Assembly (see Replacement Parts pages 6-10 for reference to parts location & assembly sequence)

Assemble, align and insert the handle assembly & handle position bar into the handle sleeve, then tighten the bolt on handle sleeve to prevent accidental removal of handle while in use.

Before Use

1. Verify that the product and application are compatible, if in doubt call Omega Technical Service (888) 332-6419.
2. Before using this product, read the operator's manual completely and familiarize yourself thoroughly with the product, its components and recognize the hazards associated with its use.
3. To familiarize yourself with basic operation, locate and turn the release valve (handle knob):
 - a. *Clockwise* until firm resistance is felt to further turning. This is the '**CLOSED**' release valve position used to **raise** the load.
 - b. *Counter-clockwise*, but no more than 1 full turn from the closed position. This is the '**OPEN**' release valve position used to **lower** the load. The more you turn the release valve counter-clockwise, the faster the load descends.
4. With ram fully lowered and release valve closed, pump the operating handle. If ram responds immediately, jack is ready for use. If jack does not respond, open release valve and pump 6 to 8 full strokes to purge air. Close release valve and recheck operation.
5. Pour a teaspoon of good quality air tool lubricant into the air supply inlet of the lift control valve. Connect to air supply, then squeeze the lift control valve for 3 seconds to evenly distribute lubricant.

Note: These models are equipped with the popular 1/4" NPT air coupler. When installing a different air coupler of your choice, ensure that thread tape or compound is used when servicing connections. To ensure dependable, trouble free operation an inline air dryer and oiler is recommended.

6. Ensure that jack rolls freely. Raise and lower the unloaded ram throughout the lifting range before putting into service to ensure the jack operates smoothly. Replace worn or damaged parts and assemblies with Omega authorized replacement parts only.

Bleeding / Venting Trapped Air

With the release valve in the OPEN position (3b.) and with ram fully lowered, locate and remove the oil filler screw. Pump 6 to 8 full strokes. This will help release any pressurized air which may be trapped within the reservoir. Reinstall the oil filler screw.

SPECIFICATIONS

Model	Capacity	Jack Size (L x W)	Min. Height	Max. Height	Hyd. Range	Extension Screw	Volume of Hyd. Oil
23227	22/35 Ton	21-5/8" x 13-7/8"	8-1/4"	19-5/8"	11-3/8"	3-1/8"	490 mL
23501	50 Ton	22-7/8" x 13-3/4"	12"	19"	7"	N/A	1650 mL
23991	100 Ton	26" x 15-3/4"	12"	18-1/8"	6-1/8"		2550 mL

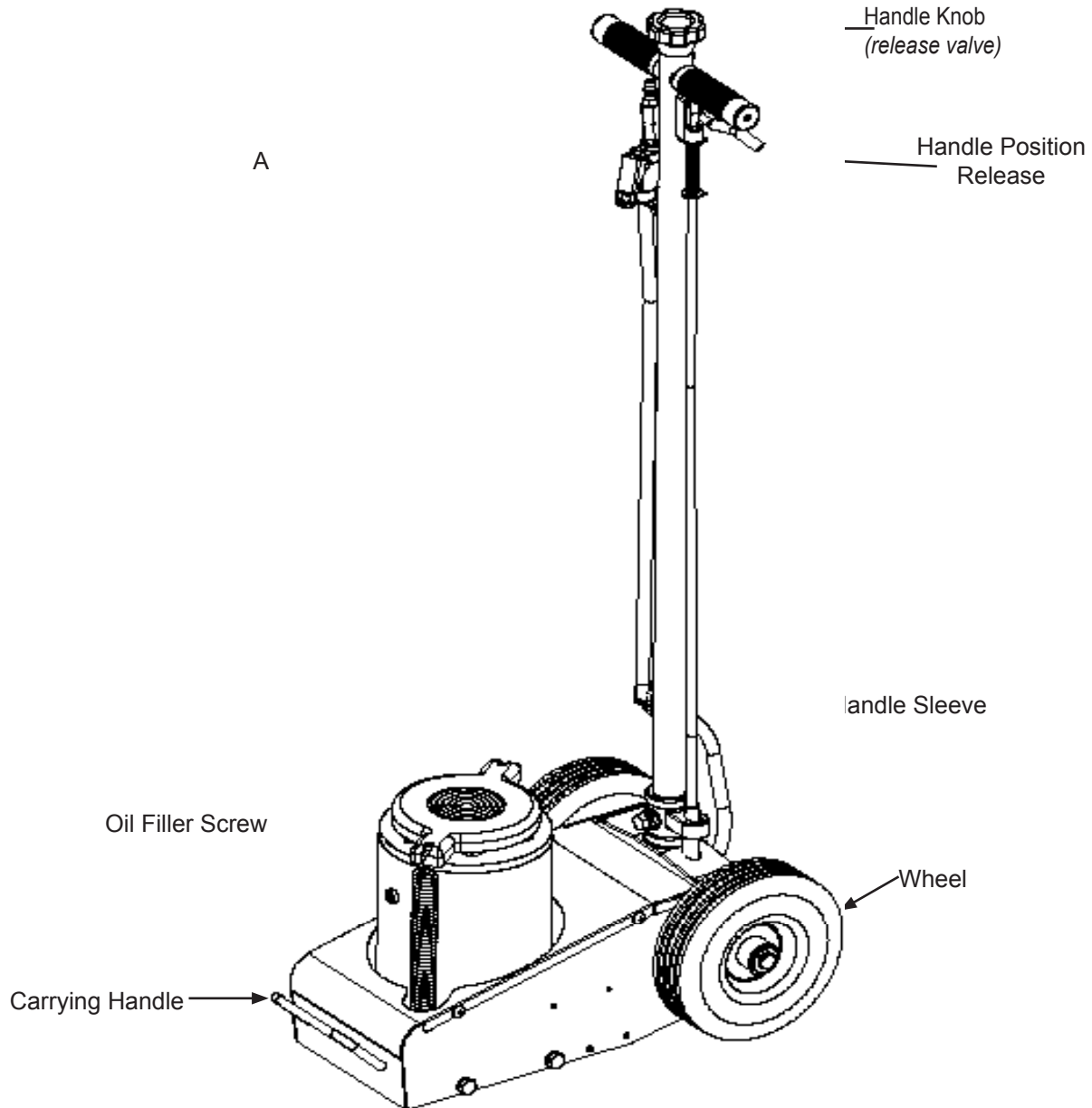


Figure 1 - Typical Truck Jack Nomenclature (23227 shown)

⚠ WARNING

- **Study, understand, and follow** all printed materials provided with/on this product before use.
- **Do not** exceed rated capacity.
- **This is a lifting device only! Immediately** after lifting, support the load with a **pair** of appropriately rated jack stands.
- **Only** attachments and/or adapters supplied by the manufacturer shall be used.
- Use **only** on hard, level surface.
- **Lift only** on areas of the vehicle as specified by the vehicle manufacturer.
- **Never** wire, clamp or otherwise disable the lift control valve to function by other than operator's hand.
- No alterations shall be made to this product.
- **Failure** to heed these markings may **result in personal injury and/or property damage.**

⚠ WARNING



To avoid **crushing and related injuries**:

- **Never** work on, under or around a load supported only by hydraulic jack.
- **Always** use adequately rated jack stands.
- Chock each unlifted tire in both directions.
- **Do not** use this device to lift, level, lower, support nor move a house, mobile home, travel trailer, camper or any building structure.
- **Be alert and sober** when using this product. Do not operate under the influence of drugs or alcohol.

⚠ WARNING: *The wheels provided with this jack are for positioning the jack under a load **ONLY!** The wheels are **not** load wheels. Do not try to dolly or move the vehicle with the jack!*

OPERATION (see Fig 1)

Lifting

Note: The jack is equipped with handle position lock. To adjust the handle, release lock device by pulling the lever up, lever is spring loaded and will lock into desired position. Ensure lever locking mechanism is fully engaged before leaving

1. Connect adequate air source to the air supply inlet.
2. Follow the vehicle manufacturer's recommended guidelines for lifting. Engage the emergency brake and chock each unlifted wheel in both directions to prevent inadvertent vehicle movement.
3. Close the release valve by turning the handle knob clockwise until firm resistance is felt.
4. Center jack saddle under lift point, then squeeze the lift control valve until saddle contacts the lift point. To lift, continue squeezing the lift control valve until load reaches desired height. Simply release your grip on the lift control valve to end lift event.
5. Transfer the load **immediately** to appropriately rated jack stands.

⚠ WARNING: *Only attachments and/or adapters supplied by the manufacturer shall be used. Lift only on area of the vehicle as specified by the vehicle manufacturer.*

⚠ WARNING: ***NEVER use hydraulic jack as a stand alone device! ALWAYS transfer the lifted load IMMEDIATELY to a pair of appropriately rated jack stands. Use one pair of jack stands per vehicle. Rated capacity is per pair only! Do not exceed rated capacity.***

Lowering



WARNING: *Be sure all tools and personnel are clear before lowering load. **Slowly open the release valve!** The more you turn the handle knob counter-clockwise, the faster the load will come down. **Maintain control of the rate of speed at which the load lowers at all times!***

1. Raise load high enough to clear the jack stands.
2. Remove jack stands carefully (**always** used in pairs).
3. **Slowly** turn handle knob counter-clockwise, but no more than 1 full turn. If the load fails to lower:
 - a. Use another jack to raise the vehicle high enough to reinstall jack stands.
 - b. Remove the malfunctioning jack and then the jack stands.
 - c. Use the functioning jack to lower the vehicle.
4. After removing jack from under the vehicle, fully retract the jack to reduce ram exposure to rust and contamination.

MAINTENANCE

Important: Use only good grade hydraulic jack oil. Avoid mixing different types of fluid and NEVER use brake fluid, turbine oil, transmission fluid, motor oil or glycerin. Improper fluid can cause premature failure of the jack and the potential for sudden and immediate loss of load. We recommend premium hydraulic jack oil.

Adding/ Changing Oil

For best performance and longest life, replace the complete fluid supply at least once per year.

1. With saddle fully lowered remove cover plate, then oil filler plug.
2. Lay jack on its side and drain fluid into a suitable container.
Note: Dispose of hydraulic fluid in accordance with local regulations.
3. Set jack in its upright, level position.
4. Fill with oil. Proper oil level is just below the rim of the opening. Reinstall the oil filler screw.
5. Perform Bleeding/ Venting Trapped Air instructions

Lubrication

A periodic coating of light lubricating oil to pivot points, axles and hinges will help to prevent rust and assure that wheels move freely and the pump functions smoothly. To help ensure trouble free operation, an inline air dryer and oiler is recommended.

Cleaning

Periodically check the ram for signs of rust or corrosion. Clean as needed and wipe with an oily cloth.

Note: Never use sandpaper or abrasive material on ram surfaces!

Storage

When not in use, store the jack with saddle fully lowered.

TROUBLESHOOTING

Symptom	Possible Causes	Corrective Action
Jack will not lift load	<ul style="list-style-type: none"> • Release valve not tightly closed • Load is too heavy • Air supply inadequate 	<ul style="list-style-type: none"> • Ensure release valve tightly closed • Consider higher capacity jack • Ensure adequate air supply
Jack will lift, but not maintain pressure	<ul style="list-style-type: none"> • Release valve not tightly closed • Hydraulic unit malfunction 	<ul style="list-style-type: none"> • Ensure release valve tightly closed • Discontinue use, contact Omega technical service
Jack will not lower after unloading	<ul style="list-style-type: none"> • Reservoir overfilled • Linkages binding 	<ul style="list-style-type: none"> • Drain fluid to proper level • Clean and lubricate moving parts
Poor lift performance	<ul style="list-style-type: none"> • Fluid level low • Air trapped in system 	<ul style="list-style-type: none"> • Ensure proper fluid level • With ram fully retracted, remove oil filler screw to let pressurized air escape. Reinstall oil filler screw
Will not lift to full extension	<ul style="list-style-type: none"> • Fluid level low 	<ul style="list-style-type: none"> • Ensure proper fluid level

REPLACEMENT PARTS

Not all components of the jack are replacement items, but are illustrated as a convenient reference of location in the assembly sequence. When ordering parts, please give the Model number, part number and description. Call or write for current pricing: SFA Companies 10939 N. Pomona Ave. Kansas City, MO 64153, USA
 E-Mail: sales@omegalift.com Tel: (888) 332-6419 Fax: (816) 891-6599 Omega Website: <http://www.omegalift.com>

Replacement Parts for model 23227:

Item	Part No.	Description	Qty
1	A07-4-2100-108	Handle Assy.	1
2	A22-3-1100-209	Extension Screw	1
3	A22-6-1218-109	Collar	1
4	A22-6-1213-109	Retaining Ring	2
5	A22-6-1211-105	Retaining Ring	1
6	A22-6-1219-101	Collor	1
7	A22-6-1217-208	Fixing Ring	1
8	A22-3-1220-209	Piston Rod Assy.	1
9	A22-6-1802-108	Cover	1

Item	Part No.	Description	Qty
21	A22-6-1607-100	Base Plate	1
22	605-3-0100-203	Spring Washer	5
23	653-1-0100-014	Bolt	5
24	A232-6-3230-200	Wheel Axle	2
25	A22-4-3400-106	Rubber Wheel Assy.	2
26	511-3-0202-046	Washer	2
27	667-5-0180-009	Retaining Ring "C"	4
28	644-1-0060-053	Hex. Socket Bolt	2
29	A07-6-1301-105	Handle Fork	1
30	A22-6-2202-200	Knob	1

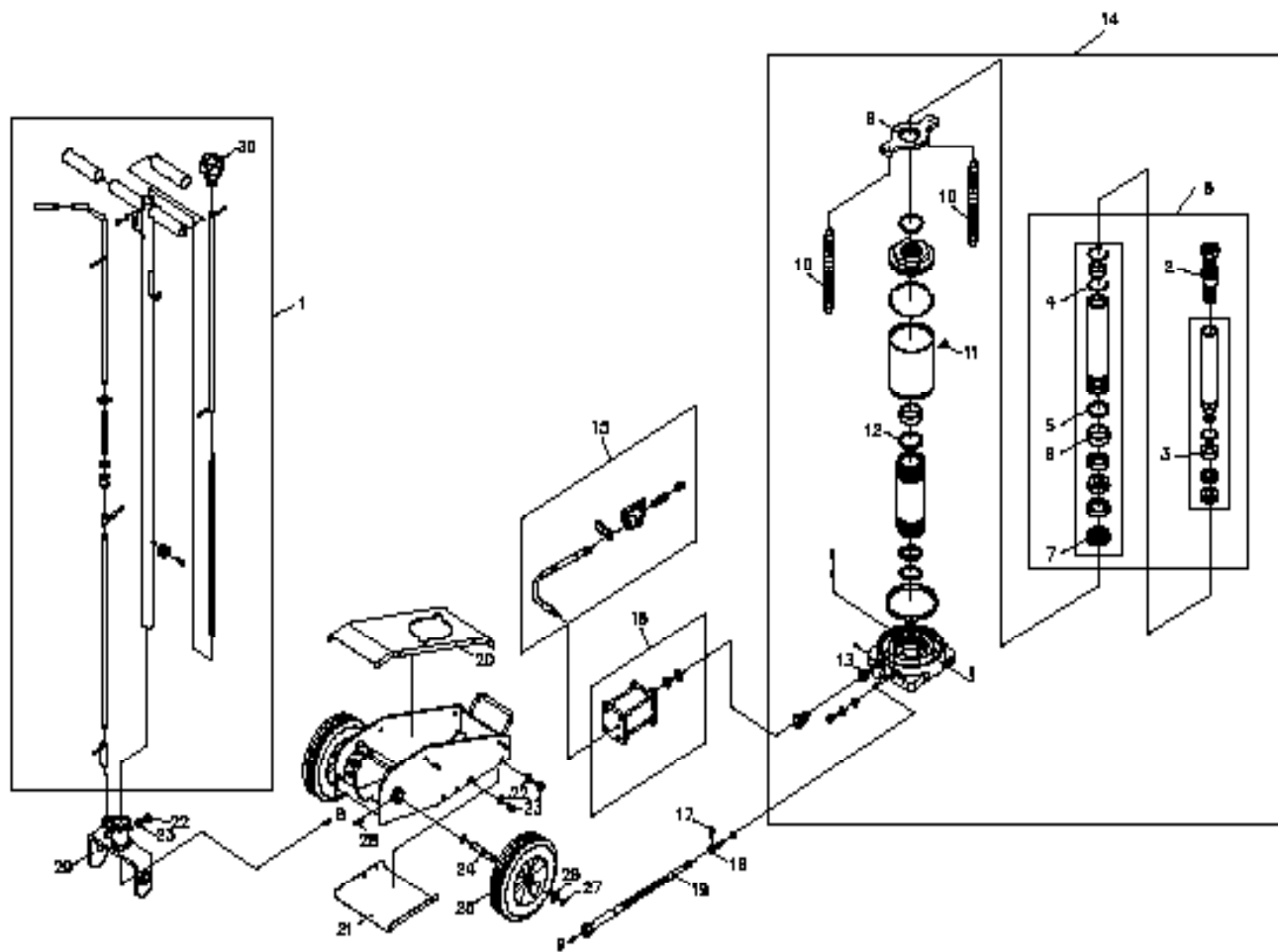


Figure 2 - Replacement Parts Illustration for Model 23227

Replacement Parts for model 23501:

Item	Part No.	Description	Qty
1	A07-4-2100-108	Handle Assembly	1
2	506-9-0264-106	Handle Grip	2
3	421-6-2202-209	Knob	1
4	601-4-0040-034	Spring Pin	1
5	653-1-0100-014	Bolt	5
6	605-3-0100-203	Washer, Lock	5
7	A07-6-1301-105	Handle Sleeve	1
8	A30-6-3220-106	Cover Plate	1
9	609-1-0050-109	Screw	5
10	A22-4-3400-106	Wheel	2
11	511-3-0202-046	Washer	2
12	667-5-0180-009	C-clip	4
13	A27010-0001	Air Motor	1
14	A270-01004-0420	Washer	1
15	A270-01014-0000	Gasket	1
16	A20060-0015	Air Hose Assembly	1
17	A20060-0006	Air Hose	1

Item	Part No.	Description	Qty
18	A20060-0007	Lift Control Valve	1
19	A20060-0016	Air Coupler, Male, 1/4 NPT	1
20	A07-3-3300-307	Release Valve Cable	1
21	A20-6-1701-108	Release Valve	1
22	554-7-0062-007	Oil Seal	1
23	614-1-0050-019	Screw	1
24	A20-4-1500-106	Hyd. Cartridge	1
25	532-8-0050-024	Filter	1
26	324-4-1900-208	Filler Screw Assy.	1
27	522-2-0260-003	Spring	2
28	A50-6-1802-108	Spring Plate	1
29	A50-1-1001-113	Hydraulic Unit	1
30	A07-4-2900-100	Air Filter	1
31	A22-6-3230-200	Wheel Axle	2
32	A27010-0008	Piston, Air Motor #13	1
33	A50-3-9905-100	Repair Kit (includes #22, 26 & A~E)	-

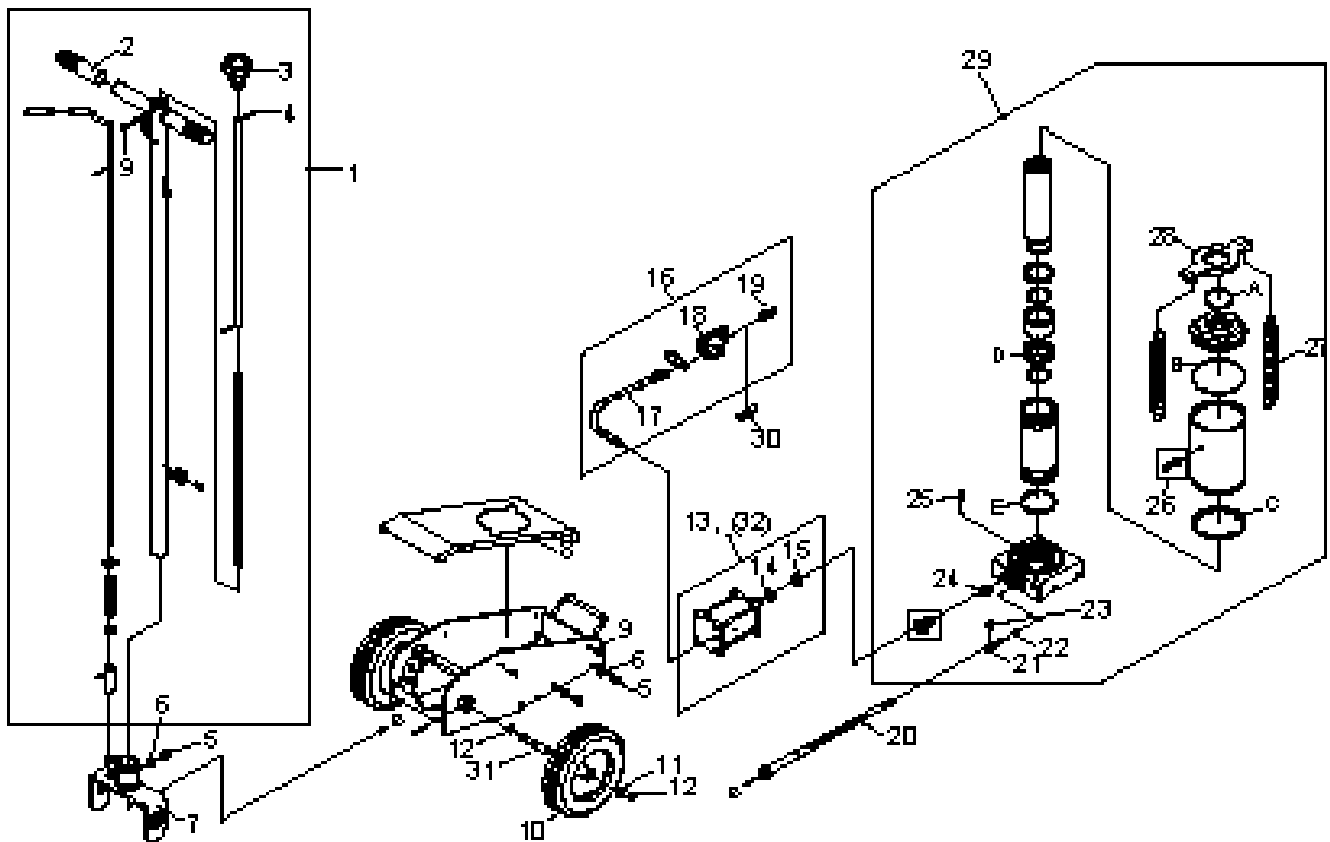
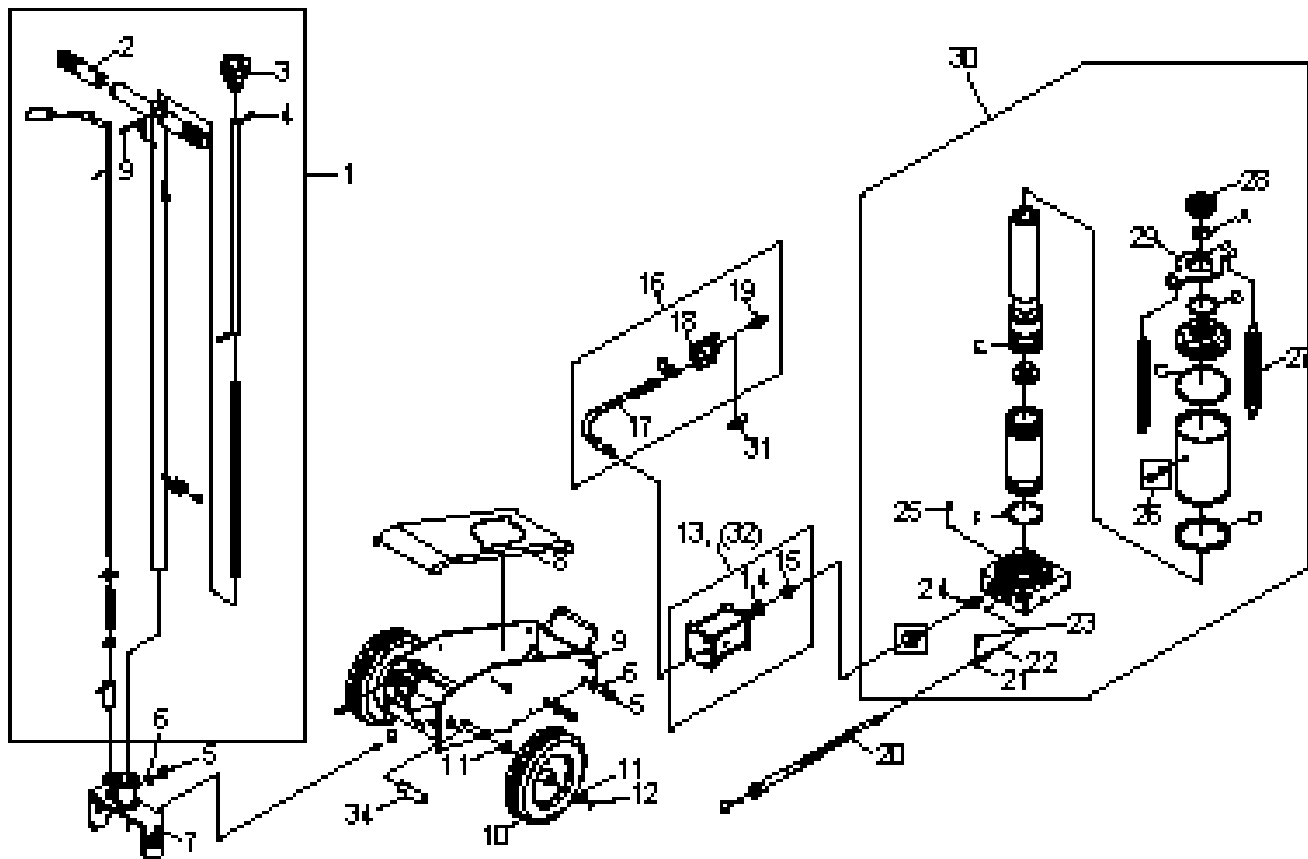


Figure 3 - Replacement Parts Illustration for Model 23501

Replacement Parts for model 23991:

Item	Part No.	Description	Qty
1	A07-4-2100-108	Handle Assembly	1
2	506-9-0264-106	Handle Grip	2
3	421-6-2202-209	Knob	1
4	601-4-0040-034	Spring Pin	1
5	653-1-0100-014	Bolt	5
6	605-3-0100-203	Washer, Lock	5
7	A07-6-1301-105	Handle Sleeve	1
8	A99-6-3220-101	Cover Plate	1
9	609-1-0050-109	Screw	5
10	A99-4-3400-202	Wheel	2
11	511-3-0202-046	Washer	4
12	667-5-0180-009	C-clip	2
13	A27010-0001	Air Motor	1
14	A270-01004-0420	Washer	1
15	A270-01014-0000	Gasket	1
16	A20060-0015	Air Hose Assembly	1
17	A20060-0006	Air Hose	1

Item	Part No.	Description	Qty
19	A20060-0016	Air Coupler, Male, 1/4 NPT	1
20	A07-3-3300-307	Release Valve Cable	1
21	A20-6-1701-108	Release Valve	1
22	554-7-0062-007	Oil Seal	1
23	614-1-0050-019	Screw	1
24	A20-4-1500-106	Hyd. Cartridge	1
25	532-8-0050-024	Filter	1
26	324-4-1900-208	Filler Screw Assy.	1
27	522-2-0260-003	Spring	2
28	250-6-1103-201	Saddle	1
29	A99-6-1802-103	Spring Plate	1
30	A99-1-1001-118	Hydraulic Unit	1
31	A07-4-2900-100	Air Filter	1
32	A27010-0008	Piston, Air Motor #13	1
33	A99-3-9905-105	Repair Kit (includes #22, 26 & A~F)	-
34	A99-6-1802-103	Spring Plate	1



ONE YEAR LIMITED WARRANTY

For a period of one (1) year from date of purchase, **SFA Companies** will repair or replace, at its option, without charge, any of its products which fails due to a defect in material or workmanship under normal usage. This limited warranty is a consumer's exclusive remedy.

Performance of any obligation under this warranty may be obtained by returning the warranted product, freight prepaid, to **SFA Companies** Warranty Service Department, 10939 N. Pomona Ave., Kansas City, MO 64153.

Except where such limitations and exclusions are specifically prohibited by applicable law, (1) THE CONSUMER'S SOLE AND EXCLUSIVE REMEDY SHALL BE THE REPAIR OR REPLACEMENT OF DEFECTIVE PRODUCTS AS DESCRIBED ABOVE. (2) **SFA Companies** SHALL NOT BE LIABLE FOR ANY CONSEQUENTIAL OR INCIDENTAL DAMAGE OR LOSS WHATSOEVER. (3) ANY IMPLIED WARRANTIES, INCLUDING WITHOUT LIMITATION THE IMPLIED WARRANTIES OF MERCHANTABILITY AND FITNESS FOR A PARTICULAR PURPOSE, SHALL BE LIMITED TO ONE YEAR, OTHERWISE THE REPAIR, REPLACEMENT OR REFUND AS PROVIDED UNDER THIS EXPRESS LIMITED WARRANTY IS THE EXCLUSIVE REMEDY OF THE CONSUMER, AND IS PROVIDED IN LIEU OF ALL OTHER WARRANTIES, EXPRESS OR IMPLIED. (4) ANY MODIFICATION, ALTERATION, ABUSE, UNAUTHORIZED SERVICE OR ORNAMENTAL DESIGN VOIDS THIS WARRANTY AND IS NOT COVERED BY THIS WARRANTY.

Some states do not allow limitations on how long an implied warranty lasts, so the above limitation may not apply to you. Some states do not allow the exclusion or limitation of incidental or consequential damages, so the above limitation or exclusion may not apply to you. This warranty gives you specific legal rights, and you may also have other rights, which vary from state to state.



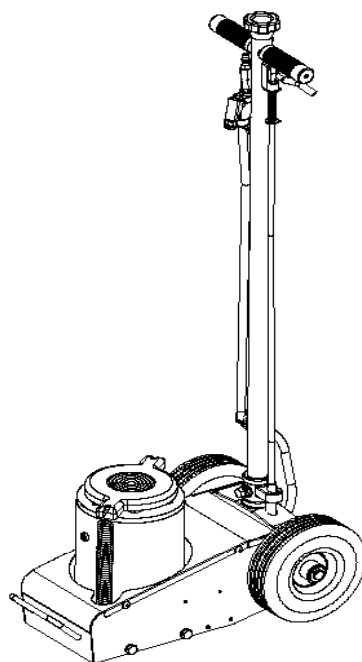
SFA Companies
10939 N. Pomona Ave. Kansas City, MO 64153
888-332-6419
sales@omegalift.com

Manuel des consignes d'utilisation et des pièces



Cric hydraulique pour camion

Modèles
23227
23501
23991



Capacité
19 958 kg/31 752 kg
(2/35 tonnes américaines)
45 360 kg
(50 tonnes américaines)
90 720 kg
(100 tonnes américaines)

Brevets américains
n^{os} 5,341,723 • 5,946,912

Modèles 23227, 23501 et 23991



Voici le symbole signalant un danger pour la sécurité. Il est utilisé pour vous alerter des dangers potentiels de blessures.

Respectez tous les messages de sécurité qui suivent ce symbole afin d'éviter les blessures et la mort.



MISE EN GARDE

Pour éviter de vous faire écraser et de subir des blessures :



Ne travaillez **JAMAIS** autour d'une charge, en dessous d'elle ou sur celle-ci, si elle est supportée seulement par un cric hydraulique. **UTILISEZ TOUJOURS** des béquilles de cric dont la capacité nominale est adéquate.

Lisez ce manuel et observez toutes les consignes de sécurité et d'utilisation avant d'utiliser ce produit.

INFORMATIONS GÉNÉRALES et INFORMATIONS RELATIVES À LA SÉCURITÉ

Conservez ces instructions. Pour votre sécurité, assurez-vous de lire, de bien comprendre et de respecter toutes les consignes fournies avec ce produit ou se trouvant sur celui-ci avant de l'utiliser. Le propriétaire, ainsi que l'utilisateur, doit comprendre le fonctionnement de ce produit et les consignes de sécurité associées à son utilisation avant de s'en servir. Ces personnes doivent aussi savoir que, pour utiliser ou réparer ce produit, il peut être nécessaire d'avoir des connaissances ou des habiletés spéciales. Avant que l'utilisation de ce produit ne soit autorisée, il faut faire connaître à l'opérateur, dans sa langue maternelle, les instructions et les informations relatives à la sécurité. S'il y a des doutes quant à la façon adéquate et sécuritaire de se servir de ce cric, il faut en cesser l'utilisation immédiatement.

Inspectez le cric avant chaque utilisation. Ne l'utilisez pas s'il présente des pièces brisées, déformées, fissurées ou endommagées. Il faut immédiatement cesser l'utilisation d'un cric qui semble endommagé ou qui fonctionne de manière anormale. Si le cric a été soumis, ou semble avoir été soumis, à une surcharge d'impact (charge qui serait tombée accidentellement dessus), cessez immédiatement de l'utiliser et faites-le vérifier par un centre de réparation autorisé par l'usine (communiquez avec le distributeur ou le fabricant pour avoir une liste des endroits autorisés). Il est recommandé qu'un personnel qualifié inspecte l'appareil annuellement. Il est possible de se procurer d'autres étiquettes et d'autres manuels auprès du fabricant.

DESCRIPTION DU PRODUIT

Les crics hydrauliques pour camion sont conçus pour soulever, et non supporter, une charge égale à leur capacité nominale, soit le poids d'une extrémité de véhicule. Les charges doivent être supportées par une paire de béquilles de cric d'une capacité nominale adéquate **immédiatement** après leur levage.



MISE EN GARDE : *N'utilisez jamais un cric hydraulique comme seul dispositif de support. Après le levage, faites reposer **immédiatement** le véhicule soulevé sur une paire de béquilles de cric d'une capacité nominale adéquate.*

PRÉPARATION

Assemblage (reportez-vous aux pages 16 à 20 pour connaître l'emplacement des pièces et leur séquence d'assemblage)
Assemblez, alignez et insérez l'assemblage du levier et la barre de position du levier dans le manchon du levier, puis serrez le boulon du manchon pour empêcher que la poignée ne sorte accidentellement lorsque le cric est utilisé.

Avant l'utilisation

1. Vérifiez que le produit et son utilisation sont compatibles. Si vous avez des doutes, appelez le soutien technique pour les produits Omega au 1 888 332-6419.
2. Avant d'utiliser ce cric, lisez entièrement son manuel d'utilisation, familiarisez-vous avec le produit et identifiez les dangers potentiels associés à son utilisation.
3. Afin de vous familiariser avec le fonctionnement de base du cric, trouvez la valve de purge (bouton du levier) et tournez-le :
 - a. Dans le sens *horaire* jusqu'à ce que vous sentiez une forte résistance au mouvement. C'est la position « **FERMÉE** » de la valve de purge utilisée pour **soulever** la charge.
 - b. Dans le sens *antihoraire*, mais pas plus d'un tour complet à partir de la position fermée. C'est la position « **OUVERTE** » de la valve de purge utilisée pour **abaisser** la charge. Plus vous ouvrez la valve de purge, plus vite descend la charge.
4. Lorsque le vérin est complètement abaissé et que la soupape de surpression est fermée, actionnez le levier. Si le vérin à piston plongeur réagit immédiatement, le cric peut maintenant être utilisé. Si le cric ne réagit pas, ouvrez la valve de purge et actionnez le levier de la pompe de 6 à 8 fois pour purger l'air. Fermez la valve de purge et vérifiez de nouveau le fonctionnement de la pompe.
5. Versez une cuillère à thé de lubrifiant de bonne qualité pour outil pneumatique dans l'entrée de l'alimentation en air de la valve de commande de levage. Branchez l'alimentation en air et ouvrez la valve de commande de levage pendant 3 secondes pour distribuer le lubrifiant de façon uniforme.

Remarque : Ces modèles sont dotés de raccords standard pour tuyaux d'air de 6,4 mm (1/4 po) NPT. Lorsque vous installez un raccord pour tuyau d'air de votre choix, assurez-vous d'utiliser du ruban pour joints filetés ou du scellant lorsque vous faites l'entretien des branchements. Il est recommandé d'utiliser un dessiccateur d'air en ligne et un huileur d'air en ligne pour assurer un fonctionnement fiable sans problème.
6. Assurez-vous que le cric fonctionne en douceur. Pour vous assurer du bon fonctionnement du cric avant son utilisation, levez le vérin à son niveau maximal et abaissez-le à son niveau minimal, sans charge. Remplacez les pièces et les assemblages usés ou endommagés seulement par des pièces de rechange autorisées par Omega.

Purge de l'air emprisonné

Lorsque la valve de purge est en position OUVERTE (étape 3b.) et que le vérin est à son niveau minimal, trouvez et enlevez la vis de remplissage d'huile. Actionnez le levier de la pompe de 6 à 8 fois. Cela va faciliter la libération de tout air pressurisé pouvant être emprisonné dans le réservoir. Remettez la vis de remplissage d'huile.

SPÉCIFICATIONS

Modèles	Capacité	Dimensions du cric (L x l)	Hauteur min.	Hauteur max.	Boîtier Plage	Vis de rallonge	Vol. d'huile hydraul.
23227	19 958/31 752 kg (22/35 t. amér.)	54,93 x 35,24 cm (21-5/8 x 13-7/8 po)	20,96 cm (8-1/4 po)	49,85 cm (19-5/8 po)	28,89 cm (11-3/8 po)	7,94 cm (3-1/8 po)	490 mL
23501	45 360 kg (50 t. amér.)	58,10 x 34,93 cm (22-7/8 x 13-3/4 po)	30,48 cm (12 po)	48,26 cm (19 po)	17,78 cm (7 po)	S.O.	1 650 mL
23991	90 720 kg (100 t. amér.)	66,04 x 40 cm (26 x 15-3/4 po)	30,48 cm (12 po)	46,03 cm (18-1/8 po)	15,56 cm (6-1/8 po)		2 550 mL

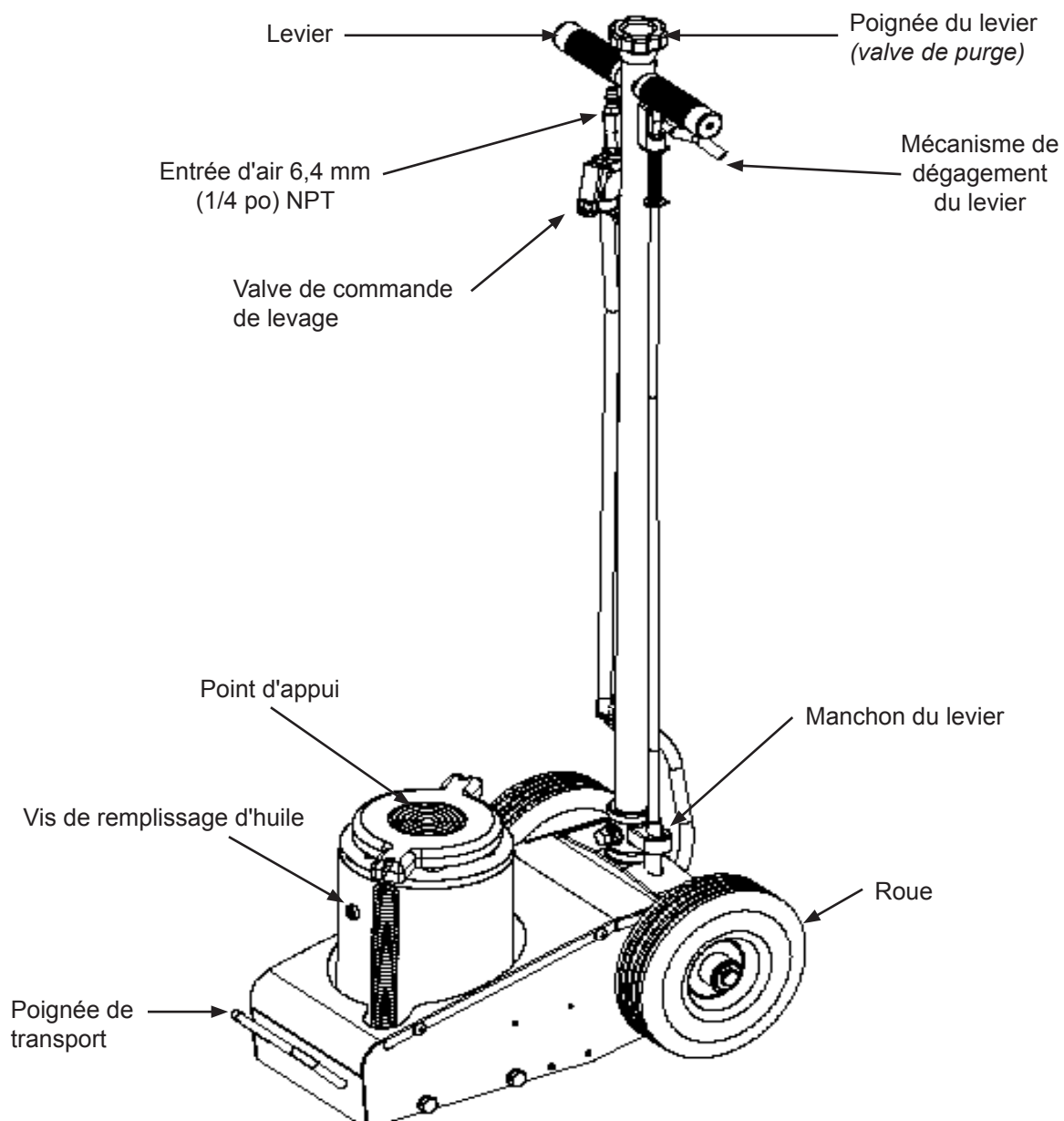


Figure 1 : Pièces d'un cric hydraulique standard pour camion (modèle 23227 illustré)

MISE EN GARDE

- **Assurez-vous de lire, de bien comprendre et de suivre** toutes les consignes décrites dans les documents fournis avec ce produit ou qui se trouvent sur l'appareil avant d'utiliser ce dernier.
- **Ne dépassez pas** la capacité nominale.
- **Cet équipement ne doit être utilisé qu'à des fins de levage uniquement!** Après le levage, faites reposer **immédiatement** la charge soulevée sur **une paire** de béquilles de cric d'une capacité nominale adéquate.
- **Utilisez** seulement les accessoires et les adaptateurs fournis par le fabricant.
- Utilisez l'appareil **seulement** sur des surfaces dures et de niveau.
- Utilisez le cric **seulement** aux points de levage indiqués par le fabricant du véhicule.
- N'attachez et ne fixez **jamais** la valve de commande et ne désactivez pas son fonctionnement normal pour qu'elle soit contrôlée autrement que par la main de l'opérateur.
- Ne modifiez pas ce produit.
- **Le non-respect** de ces consignes peut **entraîner des blessures et des dommages matériels**.

MISE EN GARDE



Pour éviter **de vous faire écraser et de subir des blessures** :

- **Ne travaillez jamais** autour d'une charge, en dessous d'elle ou sur celle-ci, si elle est supportée seulement par un cric hydraulique.
- Utilisez **toujours** des béquilles de cric dont la capacité nominale est adéquate.
- Mettez des cales à l'avant et à l'arrière des pneus non soulevés.
- N'utilisez **pas** cet appareil pour soulever, mettre à niveau, abaisser, supporter ou déplacer une maison, une maison mobile, une caravane classique, une roulotte ou une structure d'édifice.
- **Soyez vigilant et sobre** lorsque vous utilisez ce produit. Ne vous en servez pas si vous avez consommé de l'alcool ou de la drogue.



MISE EN GARDE : Les roues dont est muni le cric sont destinées **UNIQUEMENT** à positionner ce dernier sous la charge! Ces roues ne sont **pas** des roues porteuses. Ne tentez pas de déplacer le véhicule avec le cric!

FONCTIONNEMENT (voir figure 1)

Soulever

Remarque : Ce cric est muni d'un verrou de levier. Pour ajuster le levier du cric, libérez le verrou en tirant sur le levier du verrou vers le haut. Le levier du cric est muni d'un mécanisme de retour automatique et se verrouillera lui-même à la position désirée. Assurez-vous que le mécanisme de verrouillage est entièrement enclenché avant de partir.

1. Branchez une source d'air adéquate à l'entrée d'air.
2. Respectez les lignes directrices du fabricant du véhicule pour le levage. Serrez le frein à main du véhicule et mettez des cales à l'avant et à l'arrière des roues non soulevées pour empêcher tout déplacement du véhicule.
3. Fermez la valve de purge en tournant le bouton du levier dans le sens horaire jusqu'à ce que vous sentiez une bonne résistance.
4. Centrez le point d'appui sous le point de levage et ouvrez la valve de commande de levage jusqu'à ce que le point d'appui entre en contact avec le point de levage. Pour soulever la charge, gardez la valve de commande de levage ouverte jusqu'à ce que la charge atteigne la hauteur désirée. Il suffit de lâcher la valve de commande pour arrêter le levage.
5. Faites reposer la charge sur des béquilles de cric d'une capacité nominale adéquate **immédiatement**.



MISE EN GARDE : Utilisez seulement les accessoires et les adaptateurs fournis par le fabricant. Utilisez le cric seulement au point de levage indiqué par le fabricant du véhicule.



MISE EN GARDE : **N'utilisez JAMAIS** un cric hydraulique **comme seul dispositif de support!** **Après le levage, faites reposer IMMÉDIATEMENT** la charge soulevée sur une paire de béquilles de cric d'une capacité nominale adéquate. Utilisez une paire de béquilles de cric par véhicule. La capacité nominale est calculée en fonction d'une paire de béquilles de cric seulement! Ne dépassez pas cette capacité nominale.

Abaisser la charge



MISE EN GARDE : Avant d'abaisser la charge, assurez-vous qu'il n'y a aucun outil ni aucune personne en dessous de celle-ci. **Ouvrez lentement la valve de purge!** Plus vous tournez le levier dans le sens contraire des aiguilles d'une montre, plus la charge descend rapidement. **Contrôlez en tout temps** la vitesse à laquelle la charge s'abaisse!

1. Soulevez la charge suffisamment pour enlever les béquilles de cric.
2. Enlevez les béquilles de cric avec précaution (utilisez les béquilles de cric **toujours** par paires).
3. Tournez **lentement** le bouton du levier dans le sens antihoraire, mais ne faites pas plus d'un tour. Si la charge ne descend pas :
 - a. Utilisez un autre cric pour soulever le véhicule suffisamment pour remettre les béquilles de cric.
 - b. Enlevez le cric défectueux et enlevez ensuite les béquilles de cric.
 - c. Utilisez le cric qui fonctionne pour faire descendre le véhicule.
4. Après avoir retiré le cric, faites descendre le point d'appui à son niveau minimal pour prévenir la rouille et la contamination du vérin.

ENTRETIEN

Important : Utilisez seulement de l'huile pour cric hydraulique de bonne qualité. Évitez de mélanger différents types de liquides et N'UTILISEZ JAMAIS de liquide pour frein, d'huile de turbine, de liquide de transmission, d'huile moteur ou de glycérine. L'utilisation d'un liquide inapproprié peut entraîner une défaillance prématurée du cric et causer une chute potentielle soudaine et immédiate de charge. Il est recommandé d'utiliser de l'huile hydraulique pour cric de première qualité.

Changement ou ajout d'huile

Afin d'obtenir une performance et une durée de vie optimales, remplacez complètement l'huile au moins une fois par année.

1. Lorsque le point d'appui est à son niveau minimal, enlevez la plaque de recouvrement, puis le bouchon de remplissage d'huile.
2. Posez le cric sur le côté et purgez le liquide en l'envoyant dans un contenant adéquat.
Remarque : Jetez l'huile hydraulique en respectant la réglementation locale.
3. Mettez le cric debout et à niveau.
4. Mettez de l'huile dans le cric. Le niveau d'huile devrait être juste en dessous du rebord du trou de remplissage d'huile. Remettez la vis de remplissage d'huile.
5. Purgez l'air emprisonné (voir section « Purge de l'air emprisonné »).

Lubrification

Une lubrification périodique des points de pivotement, des axes et des charnières faite avec de l'huile légère aide à prévenir la rouille et à assurer que les roues bougent librement et que le levier fonctionne en douceur. Il est recommandé d'utiliser un dessiccateur d'air en ligne et un huileur d'air en ligne pour assurer un fonctionnement fiable sans problème.

Nettoyage

Inspectez périodiquement le vérin pour repérer d'éventuelles traces de rouille ou de corrosion. Nettoyez selon les besoins et essuyez avec un linge huileux.

Remarque : N'utilisez jamais de papier sablé ou de matériau abrasif sur le vérin!

Rangement

Lorsque le cric n'est pas utilisé, rangez-le, son point d'appui devant être à son niveau minimal.

DÉPANNAGE

Problème	Causes possibles	Mesure corrective
Le cric ne soulève pas la charge	<ul style="list-style-type: none"> • La valve de purge n'est pas bien fermée • Charge trop pesante • Alimentation en air inadéquate 	<ul style="list-style-type: none"> • Assurez-vous que la valve est bien fermée. • Utilisez un cric de plus grande capacité. • Assurez-vous d'avoir une alimentation en air adéquate
Le cric soulève la charge, mais ne maintient pas la pression	<ul style="list-style-type: none"> • La valve de purge n'est pas bien fermée • Défaillance du vérin hydraulique 	<ul style="list-style-type: none"> • Assurez-vous que la valve est bien fermée. • Cessez d'utiliser le cric et communiquez avec le soutien technique d'Omega.
Le cric ne descend pas après avoir enlevé la charge	<ul style="list-style-type: none"> • Trop de liquide hydraulique dans le réservoir • Blocage des articulations 	<ul style="list-style-type: none"> • Purgez du liquide pour le ramener au bon niveau. • Nettoyez les pièces mobiles et lubrifiez-les.
Performance de levage médiocre	<ul style="list-style-type: none"> • Niveau de liquide bas • Air emprisonné dans le vérin 	<ul style="list-style-type: none"> • Assurez-vous que le niveau de liquide est adéquat. • Faites rentrer le vérin au maximum, puis enlevez la vis de remplissage d'huile pour libérer l'air pressurisé. Remettez la vis de remplissage d'huile.
Le système de levage ne s'élève pas au maximum	<ul style="list-style-type: none"> • Niveau de liquide bas 	<ul style="list-style-type: none"> • Assurez-vous que le niveau de liquide est adéquat.

PIÈCES DE RECHANGE

Cette illustration ne sert qu'à montrer l'emplacement des différents composants du cric et leur position afin de faciliter la procédure d'assemblage. Ce ne sont pas toutes ses pièces qui peuvent être remplacées. Lorsque vous commandez des pièces, veuillez fournir le numéro du modèle, le numéro de pièce et la description de la pièce. Pour connaître les prix actuels, appelez-nous ou écrivez-nous : SFA Companies 10939 N. Pomona Ave. Kansas City, MO 64153, É.-U., Courriel : sales@omegalift.com, Tél. : 1 888 332-6419, Téléc. : 1 816 891-6599, site Web de Omega : <http://www.omegalift.com>.

Liste de pièces de rechange du modèle 23227 :

Art.	N° de pièce	Description	Qté
1	A07-4-2100-108	Ass. du levier	1
2	A22-3-1100-209	Vis de rallonge	1
3	A22-6-1218-109	Bague	1
4	A22-6-1213-109	Anneau de retenue	2
5	A22-6-1211-105	Anneau de retenue	1
6	A22-6-1219-101	Bague	1
7	A22-6-1217-208	Anneau de fixation	1
8	A22-3-1220-209	Ass. de tige de piston	1
9	A22-6-1802-108	Plaque de recouvrem.	1
10	522-2-0260-030	Ressort d'extension	2
11	324-4-1900-208	Vis du réservoir	1
12	A22-6-1808-100	Anneau de retenue	1
13	A20-4-1500-106	Boîtier Ass. de boîtier	1
14	A22-1-1001-113	Ass. du vérin hydraul.	1
15	A22-4-2040-107	Ass. de tuyau à air	1
16	A27-3-2000-104	Ass. de moteur à air	1
17	649-1-0050-019	Boulon à tête hex.	1
18	A20-6-1707-108	Valve de purge	1

Art.	N° de pièce	Description	Qté
21	A22-6-1607-100	Plaque d'assise	1
22	605-3-0100-203	Rondelle à ressort	5
23	653-1-0100-014	Boulon	5
24	A232-6-3230-200	Essieu de roue	2
25	A22-4-3400-106	Ass. de roue en caoutchouc	2
26	511-3-0202-046	Rondelle	2
27	667-5-0180-009	Anneau de retenue en C	4
28	644-1-0060-053	Boulon à tête hex.	2
29	A07-6-1301-105	Articulation du levier	1
30	421-6-2202-209	Bouton	1
**	A22-3-9901-102	Trousse de réparation	-

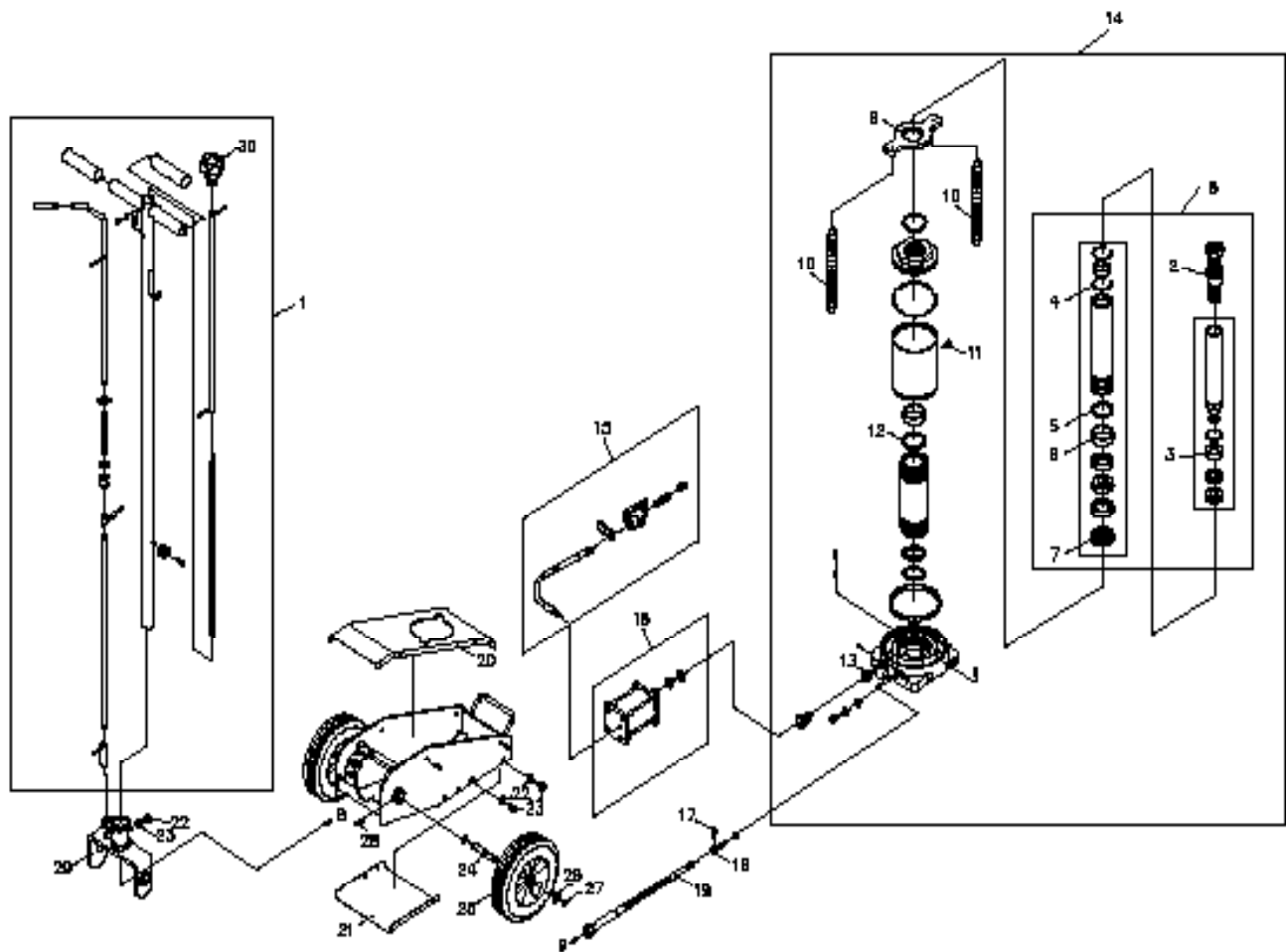


Figure 2 : Illustration des pièces de rechange du modèle 23227

Liste de pièces de rechange du modèle 23501 :

Art.	N° de pièce	Description	Qté
1	A07-4-2100-108	Assemblage du levier	1
2	506-9-0264-106	Prise de la poignée	2
3	421-6-2202-209	Bouton	1
4	601-4-0040-034	Goupille-ressort	1
5	653-1-0100-014	Boulon	5
6	605-3-0100-203	Rondelle du verrou	5
7	A07-6-1301-105	Manchon du levier	1
8	A30-6-3220-106	Plaque de recouvrem.	1
9	609-1-0050-109	Vis	5
10	A22-4-3400-106	Roue	2
11	511-3-0202-046	Rondelle	2
12	667-5-0180-009	Circlip	4
13	A27010-0001	Moteur à air	1
14	A270-01004-0420	Rondelle	1
15	A270-01014-0000	Joint d'étanchéité	1
16	A20060-0015	Ass. de tuyau d'air	1
17	A20060-0006	Tuyau d'air	1
18	A20060-0007	Valve de commande de levage	1

Art.	N° de pièce	Description	Qté
19	A20060-0016	Raccord mâle 6,4 mm (1/4 p) NPT pour tuyau d'air	1
20	A07-3-3300-307	Câble de la valve de purge	1
21	A20-6-1701-108	Valve de purge	1
22	554-7-0062-007	Joint du réservoir à huile	1
23	614-1-0050-019	Vis	1
24	A20-4-1500-106	Cartouche hydr.	1
25	532-8-0050-024	Filtre	1
26	324-4-1900-208	Ass. vis du réservoir à huile	1
27	522-2-0260-003	Ressort	2
28	A50-6-1802-108	Coupelle de ressort	1
29	A50-1-1001-113	Vérin hydraulique	1
30	A07-4-2900-100	Filtre à air	1
31	A22-6-3230-200	Essieu de roue	2
32	A27010-0008	Piston du moteur à air n° 13	1
33	A50-3-9905-100	Trousse de réparation	-

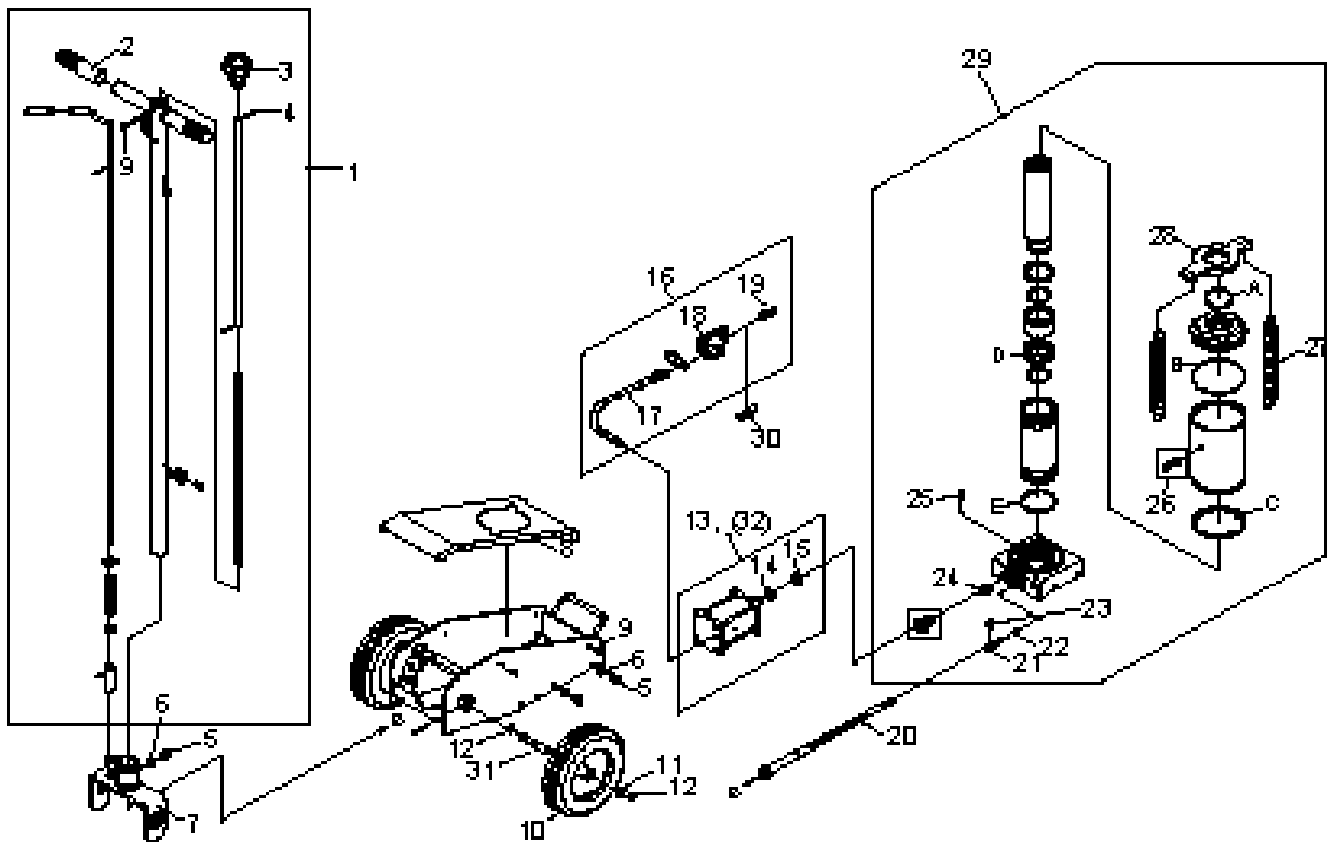


Figure 3 : Illustration des pièces de rechange du modèle 23501

Liste de pièces de rechange du modèle 23991 :

Art.	N° de pièce	Description	Qté
1	A07-4-2100-108	Assemblage du levier	1
2	506-9-0264-106	Prise de la poignée	2
3	421-6-2202-209	Bouton	1
4	601-4-0040-034	Goupille-ressort	1
5	653-1-0100-014	Boulon	5
6	605-3-0100-203	Rondelle du verrou	5
7	A07-6-1301-105	Manchon du levier	1
8	A99-6-3220-101	Plaque de recouvrem.	1
9	609-1-0050-109	Vis	5
10	A99-4-3400-202	Roue	2
11	511-3-0202-046	Rondelle	4
12	667-5-0180-009	Circlip	2
13	A27010-0001	Moteur à air	1
14	A270-01004-0420	Rondelle	1
15	A270-01014-0000	Joint d'étanchéité	1
16	A20060-0015	Ass. de tuyau d'air	1
17	A20060-0006	Tuyau d'air	1
18	A20060-0007	Valve de commande de levage	1

Art.	N° de pièce	Description	Qté
19	A20060-0016	Raccord mâle 6,4 mm (1/4 po) NPT pour tuyau d'air	1
20	A07-3-3300-307	Câble de la valve de purge	1
21	A20-6-1701-108	Valve de purge	1
22	554-7-0062-007	Joint du réservoir à huile	1
23	614-1-0050-019	Vis	1
24	A20-4-1500-106	Cartouche hydr.	1
25	532-8-0050-024	Filtre	1
26	324-4-1900-208	Ass. vis du réservoir à huile	1
27	522-2-0260-003	Ressort	2
28	250-6-1103-201	Point d'appui	1
29	A99-6-1802-103	Coupelle de ressort	1
30	A99-1-1001-118	Vérin hydraulique	1
31	A07-4-2900-100	Filtre à air	1
32	A27010-0008	Piston du moteur à air n° 13	1
33	A99-3-9905-105	Trousse de réparation (comprend les pièces 22 et 26 et les pièces A à F)	-

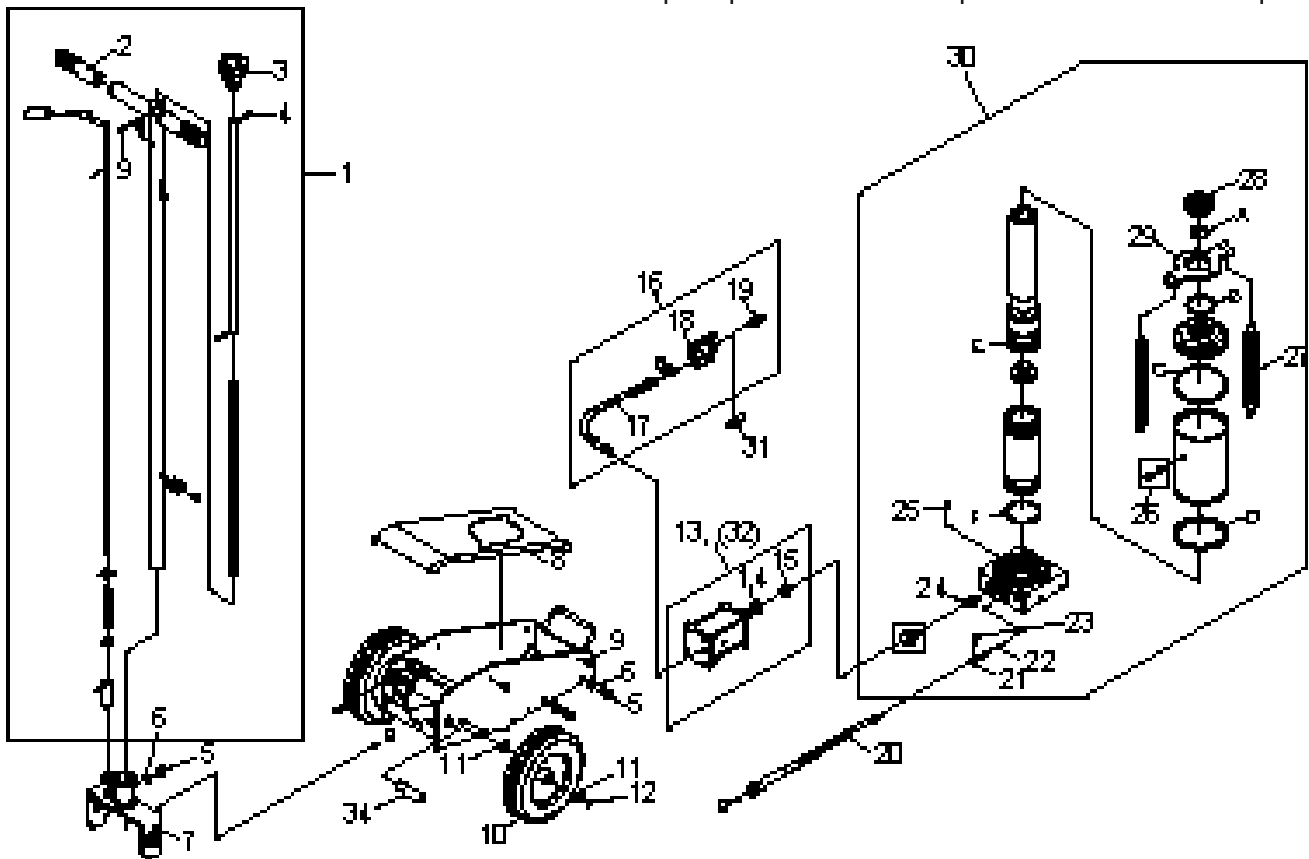


Figure 4 : Illustration des pièces de rechange du modèle 23991

GARANTIE LIMITÉE DE 1 AN

Pendant une période d'un (1) an, à partir de la date d'achat, **SFA Companies** réparera ou remplacera, à sa discrétion, sans frais, tous ses produits qui, utilisés dans des conditions normales, sont défectueux à cause d'un défaut de matériel ou de fabrication. Cette garantie limitée est le seul recours du consommateur.

Pour bénéficier du service offert par la garantie, il faut retourner le produit couvert par celle-ci, port payé, à **SFA Companies** Warranty Service Department, 10939 N. Pomona Ave., Kansas City, MO 64153, États-Unis.

Sauf dans les cas où les limitations et les exclusions décrites dans ce paragraphe sont spécifiquement interdites par la loi : (1) LE SEUL RECOURS DU CONSOMMATEUR EST DE FAIRE RÉPARER OU REMPLACER LES PRODUITS DÉFECTUEUX COMME DÉCRIT CI-DESSUS; (2) **SFA Companies** NE SERA PAS TENUE RESPONSABLE DES DOMMAGES CONSÉCUTIFS OU INDIRECTS OU DE PERTES QUELCONQUES; (3) TOUTE GARANTIE IMPLICITE, CE QUI INCLUT SANS LIMITATION LES GARANTIES IMPLICITES DE COMMERCIALITÉ ET D'ADAPTATION À UN USAGE PARTICULIER, SERA LIMITÉE À UN AN, À DÉFAUT DE QUOI LA RÉPARATION, LE REMPLACEMENT OU LE REMBOURSEMENT, SELON CETTE GARANTIE EXPRESSE LIMITÉE, CONSTITUE LE SEUL RECOURS DU CLIENT, ET REMPLACE TOUTE AUTRE GARANTIE, IMPLICITE OU EXPRESSE; (4) TOUTE MODIFICATION, ALTÉRATION, UTILISATION ABUSIVE OU NON AUTORISÉE OU DÉCORATION ORNEMENTALE ANNULE CETTE GARANTIE ET N'EST PAS COUVERTE PAR CELLE-CI.

Certaines provinces et certains États ne permettent pas de limiter la durée d'une garantie implicite et il est donc possible que la limitation décrite ci-dessus ne s'applique pas. Certaines provinces et certains États ne permettent pas d'exclure ou de limiter les dommages consécutifs ou indirects et il est donc possible que la limitation ou l'exclusion mentionnée ci-dessus ne s'applique pas. Cette garantie vous confère des droits particuliers et il est aussi possible que vous puissiez jouir d'autres droits qui varient d'une province à l'autre et d'un État à l'autre.



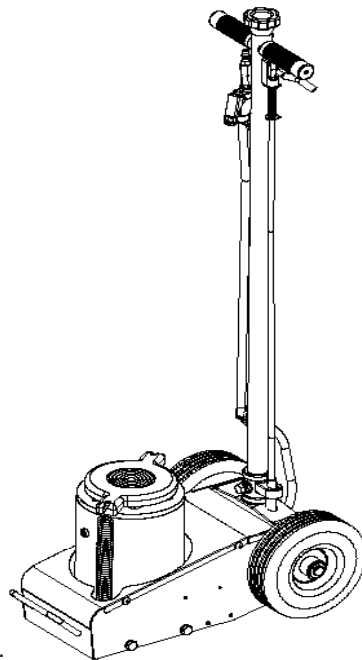
SFA Companies
10939 N. Pomona Ave., Kansas City, MO 64153, É.-U.
1 888 332-6419
sales@omegalift.com

Manual de piezas e instrucciones de funcionamiento



Gato hidráulico para camiones

Modelo
23227
23501
23991



Capacidad
22/35 toneladas
(44 000/70 000 libras)
50 toneladas
(100 000 libras)
100 toneladas
(200 000 libras)

Patente de EE. UU.
N.º 5,341,723 • 5,946,912

Modelos 23227, 23501 y 23991



Este es el símbolo de alerta de seguridad. Se usa para alertar sobre peligros potenciales de lesiones personales.

Obedezca todos los mensajes de seguridad que tengan este símbolo, para evitar posibles lesiones personales o la muerte.



ADVERTENCIA

Para evitar lesiones por opresión y otras lesiones:



NUNCA trabaje sobre, debajo o alrededor de una carga que solamente esté apoyada en un gato hidráulico. **SIEMPRE** use soportes para gato de capacidad nominal adecuada.

Lea este manual y respete todas las reglas de seguridad y las instrucciones de funcionamiento antes de usar este producto.

INFORMACIÓN GENERAL y DE SEGURIDAD

Conserve estas instrucciones. Para su seguridad, lea, comprenda y siga la información que viene con este gato antes de su uso. El propietario u operador de este equipo debe tener conocimientos sobre este gato y los procedimientos de funcionamiento seguro antes de intentar utilizarlo. El propietario y operador deben tener presente que el uso y la reparación de este producto podrían requerir habilidades y conocimientos especiales. Las instrucciones y la información de seguridad deben expresarse en la lengua materna del operador antes de recibir autorización para el uso de este gato. Si tiene dudas sobre el uso seguro y adecuado de este gato, proceda a sacarlo de servicio de inmediato.

Inspeccione el dispositivo antes de cada uso. No lo use si detecta que está roto, doblado, agrietado o tiene piezas dañadas. Debe sacar de servicio en forma inmediata todo gato que presente daños, de la naturaleza que fueren, o funcione mal. Si tiene la sospecha o la certeza de que el gato fue sometido a una carga de impacto (una carga arrojada repentina e inesperadamente sobre este), interrumpa su uso de inmediato hasta su revisión por parte de un centro de servicio de fábrica autorizado (comuníquese con el fabricante o el distribuidor para obtener una lista de los centros de servicio de fábrica autorizados). Se recomienda realizar una inspección anual a cargo de personal calificado. Las etiquetas y los manuales del operador están disponibles por parte del fabricante.

DESCRIPCIÓN DEL PRODUCTO

Estos gatos hidráulicos para camiones están diseñados para levantar, no soportar, cargas parciales de capacidad nominal de vehículos que consisten en un extremo del vehículo. **Inmediatamente** después del levantamiento, las cargas deben apoyarse en un par de soportes para gato de capacidad nominal adecuada.



ADVERTENCIA: *Nunca use un gato hidráulico para camiones como dispositivo independiente. Luego de levantar el vehículo, apoye **inmediatamente** el vehículo elevado en un par de soportes para gato de capacidad nominal adecuada.*

PREPARACIÓN

Montaje (consulte Piezas de repuesto en las páginas de 26 a 30 para obtener información sobre las ubicación de las piezas y la secuencia de montaje)

Monte, alinee e inserte el conjunto de manija y la barra de posición de la manija en el manguito de la manija; luego apriete el perno sobre el manguito de la manija para evitar que la manija se salga accidentalmente mientras está en uso.

Antes del uso

1. Verifique que el producto y la aplicación sean compatibles; si tiene dudas, llame al Servicio técnico de Omega al (888) 332-6419.
2. Antes de usar este producto, lea todo el manual del operador; procure familiarizarse en forma completa con el producto y sus componentes, y reconocer los peligros asociados a su uso.
3. Para familiarizarse con el funcionamiento básico, ubique y gire la válvula de liberación (perilla de la manija):
 - a. *A la derecha* hasta que sienta una resistencia firme para continuar girando. Esta es la posición '**CERRADO**' de la válvula de liberación que se usa para **levantar** la carga.
 - b. *A la izquierda*, pero no más de 1 giro completo con respecto a la posición de cerrado. Esta es la posición '**ABIERTO**' de la válvula de liberación utilizada para **bajar** la carga. Cuanto más abra la válvula de liberación hacia la izquierda, más rápido descenderá la carga.
4. Una vez que el ariete haya descendido por completo y la válvula de liberación esté cerrada, bombee la manija de funcionamiento. Si el ariete responde de inmediato, el gato está listo para ser usado. Si el gato no responde, abra la válvula de liberación y bombee de 6 a 8 recorridos completos para purgar el aire. Cierre la válvula de liberación y vuelva a verificar el funcionamiento.
5. Vierta una cucharadita de lubricante para herramientas de aire de buena calidad en la entrada de suministro de aire de la válvula de control de elevación. Conecte al suministro de aire, luego oprima la válvula de control de elevación durante 3 segundos para distribuir el lubricante de manera uniforme.

Nota: Estos modelos están equipados con el acoplador de aire común de 1/4" (0,64 cm) NPT. Cuando instale un acoplador de aire que no sea el de su elección, asegúrese de usar cinta o compuesto aislante para la reparación de las conexiones. Se recomienda el uso de un secador de aire y engrasador en línea para asegurar el funcionamiento fiable y libre de problemas.
6. Asegúrese de que el gato se desplace libremente. Antes de poner el gato en servicio, suba y baje el ariete sin carga a lo largo de la distancia de elevación para asegurarse de que el gato funcione sin dificultades. Reemplace las piezas y los conjuntos desgastados o dañados solo con piezas de repuesto autorizadas de Omega.

Purgado/descarga del aire atrapado

Coloque la válvula de liberación en la posición ABIERTO (3b.) y baje el ariete en forma completa; luego, ubique y retire el tornillo de llenado de aceite. Bombée de 6 a 8 recorridos completos. Esto ayudará a liberar el aire presurizado que pudiera estar atrapado dentro del depósito. Vuelva a colocar el tornillo de llenado de aceite.

ESPECIFICACIONES

Modelo	Capacidad	Tamaño del gato (L x P)	Altura mín.	Altura máx.	Cartucho hidráulico	Tornillo de extensión	Volum. de aceite hid.
23227	22/35 toneladas (44 000/70 000 lib.)	21-5/8" x 13-7/8" (54,93 cm x 35,24 cm)	8-1/4" (20,96 cm)	19-5/8" (49,85 cm)	11-3/8" (28,89 cm)	3-1/8" (7,94 cm)	490 mL
23501	50 toneladas (100 000 libras)	22-7/8" x 13-3/4" (58,10 cm x 34,93 cm)	12" (30,48 cm)	19" (48,26 cm)	7" (17,78 cm)	N/D	1650 mL
23991	100 toneladas (200 000 libras)	26" x 15-3/4" (66,04 cm x 40 cm)	12" (30,48 cm)	18-1/8" (46,03 cm)	6-1/8" (15,56 cm)		2550 mL

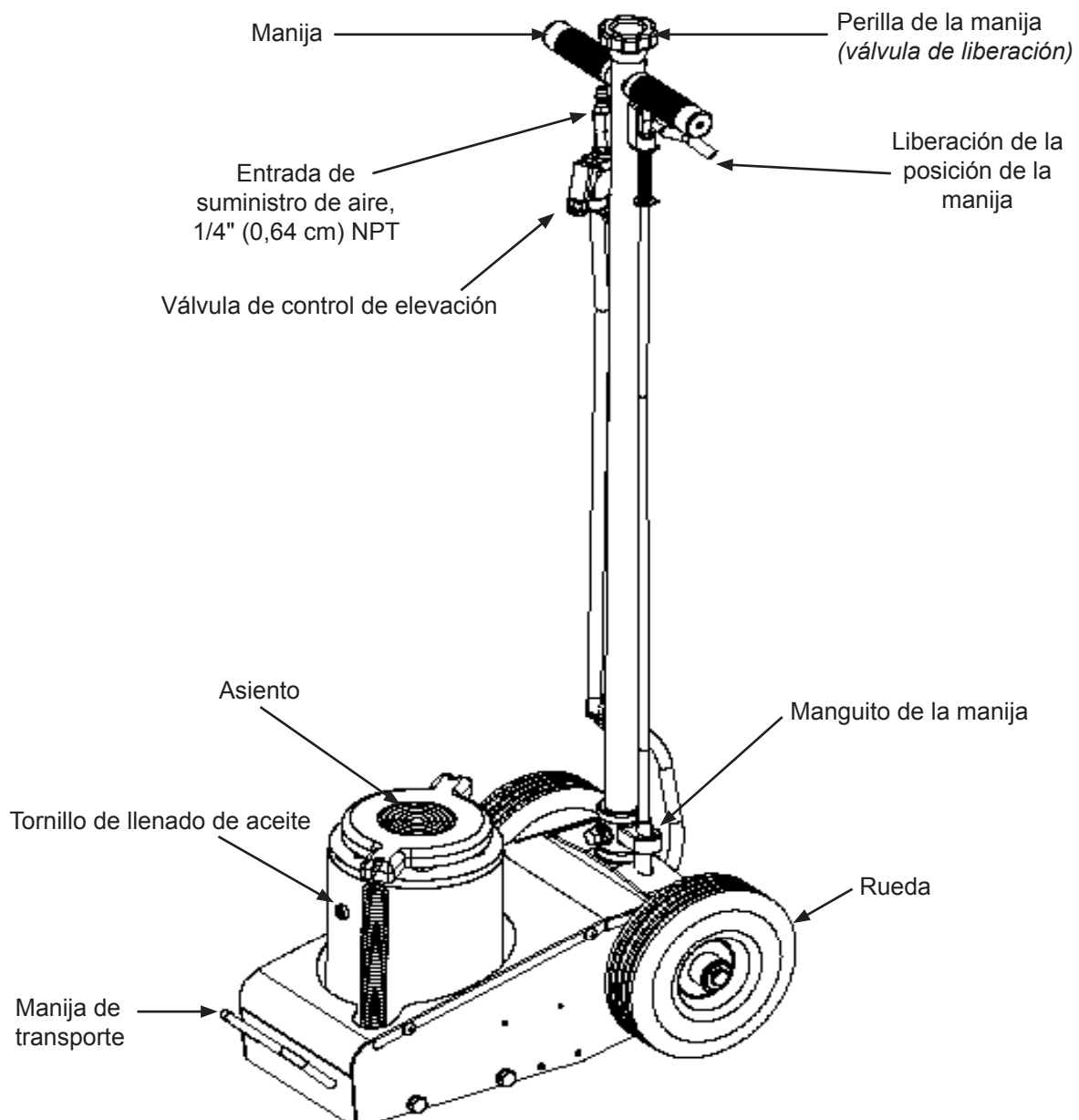


Figura 1: Nomenclatura habitual de un gato para camiones (se muestra 23227)



ADVERTENCIA

- **Estudie, comprenda y siga** todos los materiales impresos que vienen con este producto antes de su uso.
- **No** exceda la capacidad establecida.
- **Es solo un dispositivo para levantar cargas. Inmediatamente** después de levantar la carga, apóyela con un **par** de soportes para gato de capacidad nominal adecuada.
- **Solo** deben utilizarse accesorios y/o adaptadores suministrados por el fabricante.
- Use **únicamente** sobre superficies duras y uniformes.
- **Use solamente** en las áreas del vehículo especificadas por el fabricante del vehículo.
- **Nunca** use cables ni abrazaderas ni desactive de otro modo la válvula de control de elevación para que funcione de otra manera que no sea con la mano del operador.
- No deben hacerse modificaciones a este producto.
- **Si no se respetan** estas indicaciones, **podrían producirse lesiones personales o daños a la propiedad.**



ADVERTENCIA



Para evitar **lesiones por opresión y otras lesiones:**

- **Nunca** trabaje sobre, debajo o alrededor de una carga que solamente esté apoyada en un gato hidráulico.
- **Siempre** use soportes para gato de capacidad nominal adecuada.
- Bloquee cada rueda sin elevar en ambas direcciones.
- **No** utilice este dispositivo para levantar, nivelar, bajar, apoyar ni mover una casa, casa rodante, remolque de viaje, camioneta "camper" u otra estructura de construcción.
- **Esté atento y sobrio** cuando utilice este producto. No use el equipo si está bajo los efectos de drogas o bebidas alcohólicas.



ADVERTENCIA: Las ruedas que vienen con este gato son para posicionar el gato debajo de la carga **ÚNICAMENTE**. Las ruedas **no** son ruedas de carga. No intente deslizar ni mover el vehículo con el gato.

FUNCIONAMIENTO (vea la figura 1)

Elevación

Nota: El gato está equipado con traba de posición en la manija. Para ajustar la manija, libere el dispositivo de cierre mientras tira de la palanca hacia arriba; la palanca se acciona con un resorte y se bloquea en la posición deseada. Asegúrese de que el mecanismo de bloqueo de la palanca esté bien accionado antes de irse.

1. Conecte una fuente de aire adecuada a la entrada de suministro de aire.
2. Siga las pautas recomendadas por el fabricante del vehículo para la elevación. Accione el freno de emergencia y coloque calzos en todas las ruedas sin elevar, en ambas direcciones, para evitar cualquier movimiento accidental del vehículo.
3. Cierre la válvula de liberación; para hacerlo, gire la perilla de la manija a la derecha hasta que sienta una resistencia firme.
4. Centre el asiento del gato debajo del punto de elevación, luego oprima la válvula de control de elevación hasta que el asiento toque el punto de elevación. Para la elevación, siga apretando la válvula de control de elevación hasta que la carga alcance la altura deseada. Simplemente suelte la válvula de control de elevación para terminar la elevación.
5. Transfiera la carga **inmediatamente** a los soportes para gato de capacidad nominal adecuada.



ADVERTENCIA: Solo deben utilizarse accesorios y/o adaptadores suministrados por el fabricante. Levante solamente el área del vehículo especificada por el fabricante del vehículo.



ADVERTENCIA: NUNCA use el gato hidráulico como dispositivo independiente. SIEMPRE transfiera la carga elevada INMEDIATAMENTE a un par de soportes para gato de capacidad nominal adecuada. Use un par de soportes para gato para cada vehículo. La capacidad nominal es por par solamente. No la exceda.

Descenso



ADVERTENCIA: Asegúrese de despejar el área de herramientas y operarios antes de bajar la carga. **Abra la válvula de liberación lentamente.** Cuanto más gire la perilla de la manija a la izquierda, más rápido descenderá la carga. **Mantenga el control** de la velocidad a la que baja la carga en todo momento.

1. Eleve la carga a una altura que permita despejar los soportes para gato.
2. Retire los soportes para gato cuidadosamente (**siempre** use en pares).
3. Gire **lentamente** la perilla de la manija a la izquierda, pero no más de 1 giro completo. Si la carga no desciende:
 - a. Use otro gato para elevar el vehículo a una altura que permita volver a instalar los soportes para gato.
 - b. Retire el gato dañado y, a continuación, los soportes para gato.
 - c. Use el gato que funciona para bajar el vehículo.
4. Luego de retirar el gato de la parte de abajo del vehículo, retraiga en forma completa el gato para reducir la exposición al óxido y la contaminación.

MANTENIMIENTO

Importante: Use solo aceite para gatos hidráulicos de buena calidad. Evite mezclar diferentes tipos de líquidos y **NUNCA** use líquido de frenos, aceite de turbinas, líquido de transmisión, aceite de motor ni glicerina. El uso de un líquido inadecuado puede provocar fallas prematuras en el gato y posibles pérdidas de carga repentinas e inmediatas. Le recomendamos aceite para gatos hidráulicos de alta calidad.

Agregado/cambio de aceite

Para lograr el mejor rendimiento y una vida útil más prolongada, cambie el suministro completo de líquido por lo menos una vez al año.

1. Una vez que el asiento haya descendido por completo, retire la placa de protección, luego el tapón de llenado de aceite.
2. Coloque al gato de lado y descargue el líquido en un recipiente adecuado.
Nota: Deseche el líquido hidráulico conforme a las reglamentaciones locales.
3. Coloque el gato en posición vertical y a nivel.
4. Llène con aceite. El nivel de aceite adecuado es justo por debajo del borde de la abertura. Vuelva a colocar el tornillo de llenado de aceite.
5. Siga las instrucciones en Purgado/descarga del aire atrapado.

Lubricación

La lubricación periódica con un aceite liviano en los puntos de giro, los ejes y las bisagras ayudará a evitar la corrosión y garantizará que las ruedas se muevan libremente y la bomba funcione sin dificultades. Se recomienda el uso de un secador de aire y engrasador en línea para asegurar el funcionamiento libre de problemas.

Limpieza

Verifique periódicamente el ariete en busca de signos de oxidación o corrosión. Límpielos con un paño con aceite, según sea necesario.

Nota: Nunca utilice lijas o materiales abrasivos en las superficies del ariete.

Almacenamiento

Cuando no lo utilice, guarde el gato con el asiento completamente bajo.

LOCALIZACIÓN Y SOLUCIÓN DE PROBLEMAS

Síntoma	Causas posibles	Medidas correctivas
El gato no levanta la carga.	<ul style="list-style-type: none"> • La válvula de liberación no está herméticamente cerrada. • La carga es demasiado pesada. • Suministro de aire inadecuado 	<ul style="list-style-type: none"> • Asegúrese de que la válvula de liberación esté herméticamente cerrada. • Piense en la posibilidad de usar un gato de mayor capacidad. • Asegúrese de que el suministro de aire sea adecuado.
El gato se eleva, pero no mantiene la presión.	<ul style="list-style-type: none"> • La válvula de liberación no está herméticamente cerrada. • La unidad hidráulica no funciona correctamente. 	<ul style="list-style-type: none"> • Asegúrese de que la válvula de liberación esté herméticamente cerrada. • Interrumpa el uso y comuníquese con el servicio técnico de Omega.
El gato no baja después de su descarga.	<ul style="list-style-type: none"> • El depósito está lleno en exceso. • Los enlaces están atascados. 	<ul style="list-style-type: none"> • Descargue el líquido hasta el nivel adecuado. • Limpie y lubrique las piezas móviles.
La capacidad de elevación es deficiente.	<ul style="list-style-type: none"> • El nivel de líquido está bajo. • Hay aire atrapado en el sistema. 	<ul style="list-style-type: none"> • Asegúrese de que el nivel de líquido sea el adecuado. • Una vez que el ariete esté completamente contraído, retire el tornillo de llenado de aceite para permitir la salida del aire presurizado. Vuelva a colocar el tornillo de llenado de aceite.
La elevadora no se eleva al máximo de su capacidad.	<ul style="list-style-type: none"> • El nivel de líquido está bajo. 	<ul style="list-style-type: none"> • Asegúrese de que el nivel de líquido sea el adecuado.

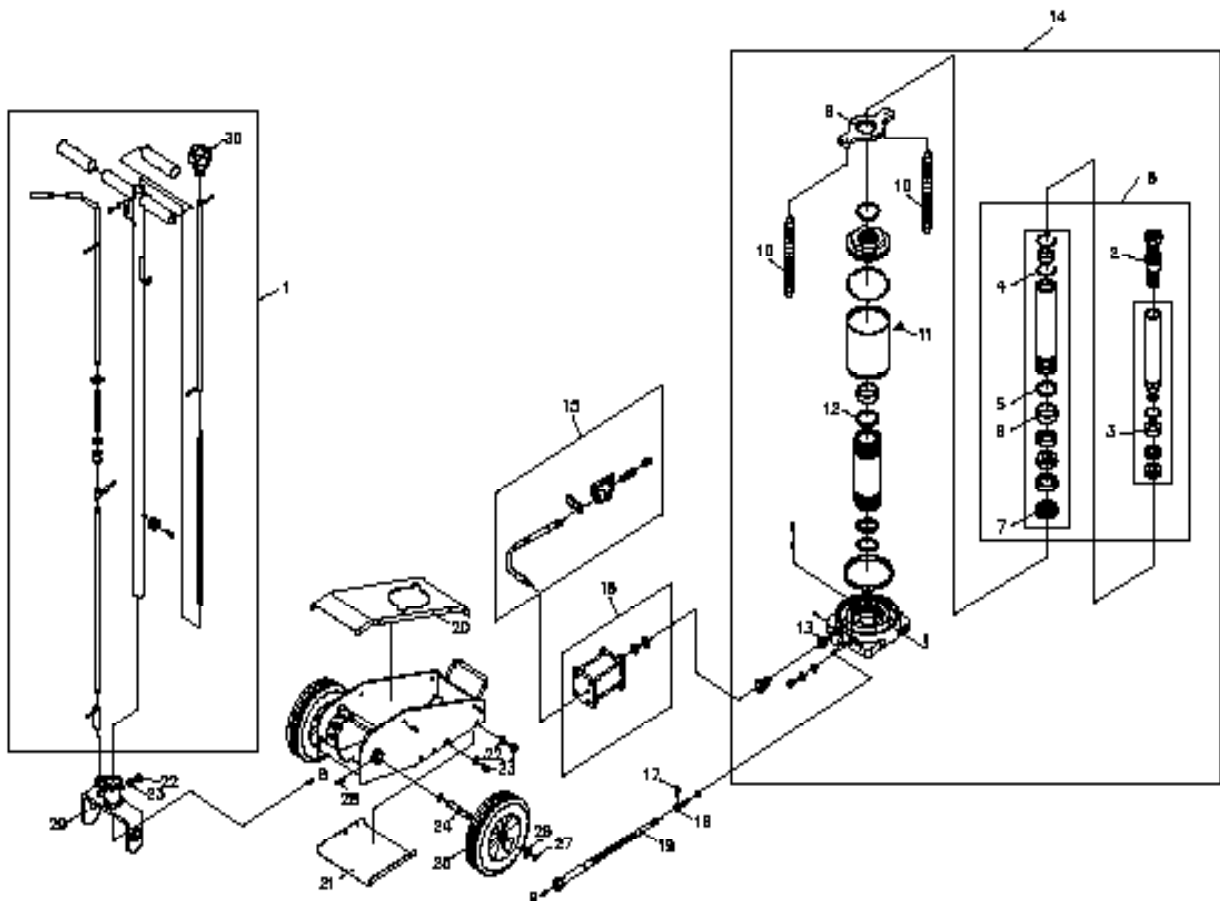
PIEZAS DE REPUESTO

No todos los componentes del gato tienen reemplazo, pero se ilustran a modo de referencia práctica de la ubicación y la posición que ocupan en la secuencia del conjunto. Cuando realice el pedido de piezas, indique el número de modelo, y el número y la descripción de las piezas. Para obtener el precio vigente, comuníquese a: SFA Companies 10939 N. Pomona Ave. Kansas City, MO 64153, U.S.A., Correo electrónico: sales@omegalift.com Tel.: (888) 332-6419, Fax: (816) 891-6599, Sitio web de Omega: <http://www.omegalift.com>

Piezas de repuesto para el modelo 23227:

Elem.	N.º de pieza	Descripción	Cant.
1	A07-4-2100-108	Conjunto de manija	1
2	A22-3-1100-209	Tornillo de extensión	1
3	A22-6-1218-109	Collarín	1
4	A22-6-1213-109	Anillo de retención	2
5	A22-6-1211-105	Anillo de retención	1
6	A22-6-1219-101	Collarín	1
7	A22-6-1217-208	Arandela de fijación	1
8	A22-3-1220-209	Conjunto de la biela del pistón	1
9	A22-6-1802-108	Cubierta	1
10	522-2-0260-030	Resorte de extensión	2
11	324-4-1900-208	Tornillo de llenado	1
12	A22-6-1808-100	Anillo de retención	1
13	A20-4-1500-106	Cartucho Conjunto de cartucho	1
14	A22-1-1001-113	Conjunto de unidad hidráulica	1
15	A22-4-2040-107	Conjunto de la manguera de aire	1

Elem.	N.º de pieza	Descripción	Cant.
16	A27-3-2000-104	Conjunto de motor neumático	1
17	649-1-0050-019	Perno de cabeza hexagonal	1
18	A20-6-1707-108	Válvula de liberación	1
19	A07-3-3300-307	Conjunto de junta flexible	1
20	A22-6-3220-106	Placa de protección	1
21	A22-6-1607-100	Placa base	1
22	605-3-0100-203	Resorte, arandela	5
23	653-1-0100-014	Perno	5
24	A232-6-3230-200	Eje de la rueda	2
25	A22-4-3400-106	Conjunto de ruedas de caucho	2
26	511-3-0202-046	Arandela	2
27	667-5-0180-009	Anillo de retención "C"	4
28	644-1-0060-053	Perno de cabeza hexagonal	2
29	A07-6-1301-105	Horquilla de la manija	1
30	421-6-2202-209	Perilla	1
**	A22-3-9901-102	Kit de reparación	-



repuesto para el modelo 23227

Piezas de repuesto para el modelo 23501:

Elem.	N.º de pieza	Descripción	Cant.
1	A07-4-2100-108	Conj. de la manija	1
2	506-9-0264-106	Agarre de la manija	2
3	421-6-2202-209	Perilla	1
4	601-4-0040-034	Pasador del resorte	1
5	653-1-0100-014	Perno	5
6	605-3-0100-203	Arandela, bloqueo	5
7	A07-6-1301-105	Manguito de la manija	1
8	A30-6-3220-106	Placa de protección	1
9	609-1-0050-109	Tornillo	5
10	A22-4-3400-106	Rueda	2
11	511-3-0202-046	Arandela	2
12	667-5-0180-009	Sujetador C	4
13	A27010-0001	Motor neumático	1
14	A270-01004-0420	Arandela	1
15	A270-01014-0000	Junta	1
16	A20060-0015	Conjunto de la manguera de aire	1
17	A20060-0006	Manguera de aire	1
18	A20060-0007	Válvula de control de elevación	1

Elem.	N.º de pieza	Descripción	Cant.
19	A20060-0016	Acoplador de aire, macho, 1/4" (0,64 cm) NPT	1
20	A07-3-3300-307	Cable de la válvula de liberación	1
21	A20-6-1701-108	Válvula de liberación	1
22	554-7-0062-007	Sello de aceite	1
23	614-1-0050-019	Tornillo	1
24	A20-4-1500-106	Cartucho hidráulico	1
25	532-8-0050-024	Filtro	1
26	324-4-1900-208	Conjunto del tornillo de llenado	1
27	522-2-0260-003	Resorte	2
28	A50-6-1802-108	Placa de resorte	1
29	A50-1-1001-113	Unidad hidráulica	1
30	A07-4-2900-100	Filtro de aire	1
31	A22-6-3230-200	Eje de la rueda	2
32	A27010-0008	Pistón, motor neumático N.º 13	1
33	A50-3-9905-100	Kit de reparación (incluye el n.º 22, 26 y A~E)	-

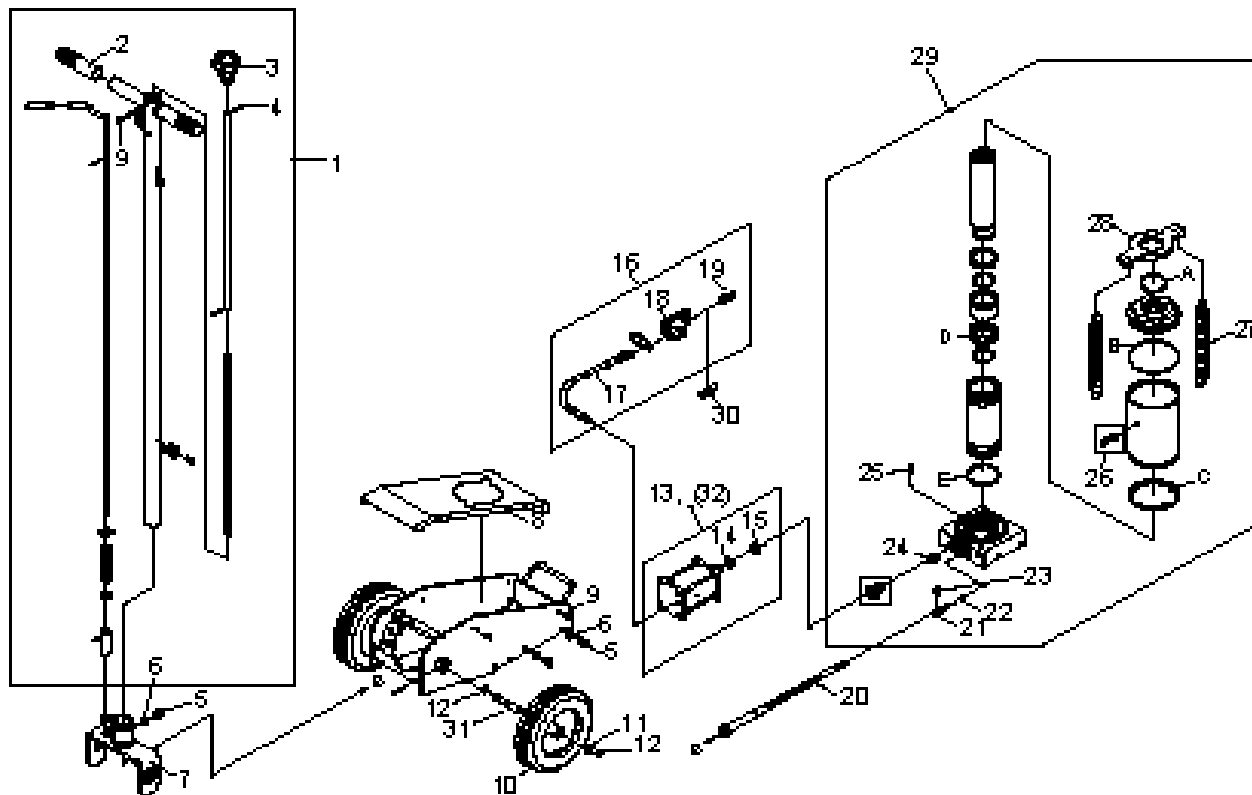


Figura 3: Ilustración de piezas de repuesto para el modelo 23501

Piezas de repuesto para el modelo 23991:

Elem.	N.º de pieza	Descripción	Cant.
1	A07-4-2100-108	Conj. de la manija	1
2	506-9-0264-106	Agarre de la manija	2
3	421-6-2202-209	Perilla	1
4	601-4-0040-034	Pasador del resorte	1
5	653-1-0100-014	Perno	5
6	605-3-0100-203	Arandela, bloqueo	5
7	A07-6-1301-105	Mang. de la manija	1
8	A99-6-3220-101	Placa de protección	1
9	609-1-0050-109	Tornillo	5
10	A99-4-3400-202	Rueda	2
11	511-3-0202-046	Arandela	4
12	667-5-0180-009	Sujetador C	2
13	A27010-0001	Motor neumático	1
14	A270-01004-0420	Arandela	1
15	A270-01014-0000	Junta	1
16	A20060-0015	Conjunto de la manguera de aire	1
17	A20060-0006	Manguera de aire	1
18	A20060-0007	Válvula de control de elevación	1

Elem.	N.º de pieza	Descripción	Cant.
19	A20060-0016	Acoplador de aire, macho, 1/4" (0,64 cm) NPT	1
20	A07-3-3300-307	Cable de la válvula de liberación	1
21	A20-6-1701-108	Válvula de liberación	1
22	554-7-0062-007	Sello de aceite	1
23	614-1-0050-019	Tornillo	1
24	A20-4-1500-106	Cartucho hidráulico	1
25	532-8-0050-024	Filtro	1
26	324-4-1900-208	Conjunto del tornillo de llenado	1
27	522-2-0260-003	Resorte	2
28	250-6-1103-201	Asiento	1
29	A99-6-1802-103	Placa de resorte	1
30	A99-1-1001-118	Unidad hidráulica	1
31	A07-4-2900-100	Filtro de aire	1
32	A27010-0008	Pistón, motor neumático N.º 13	1
33	A99-3-9905-105	Kit de reparación (incluye el n.º 22, 26 y A~F)	-
34	A99-6-1302-103	Eje, manguito de la	2

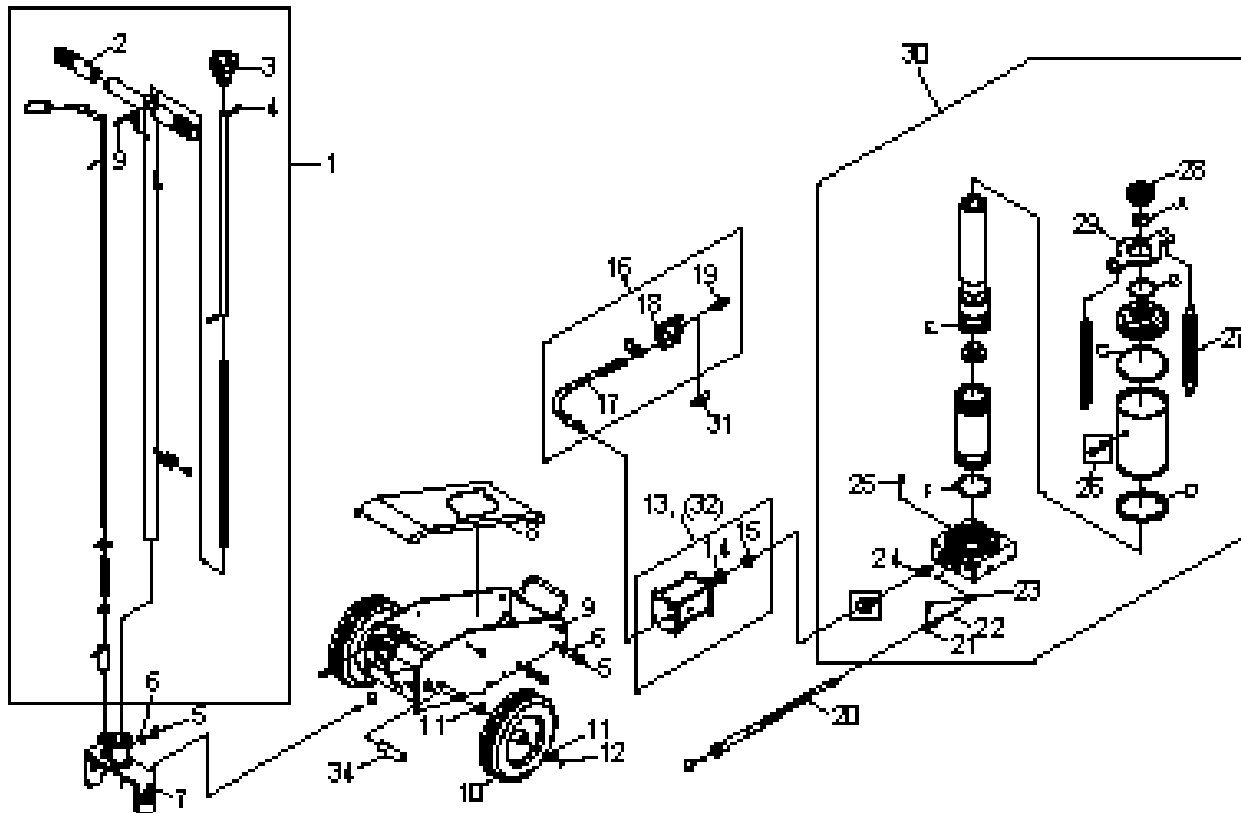


Figura 4: Ilustración de piezas de repuesto para el modelo 23991

GARANTÍA LIMITADA DE UN AÑO

Por el período de un (1) año desde la fecha de compra, **SFA Companies** reparará o reemplazará, a su discreción, sin costo alguno, cualquier producto que presente fallas debido a defectos de materiales o mano de obra bajo condiciones normales de uso. Esta garantía limitada es un recurso exclusivo del consumidor.

El cumplimiento de toda obligación en virtud de esta garantía puede obtenerse con el envío del producto en garantía, con flete abonado en origen, a **SFA Companies** Warranty Service Department, 10939 N. Pomona Ave., Kansas City, MO 64153.

Salvo que tales limitaciones y exclusiones estén específicamente prohibidas por las leyes vigentes, (1) EL ÚNICO Y EXCLUSIVO RECURSO DEL CONSUMIDOR SERÁ LA REPARACIÓN O EL REEMPLAZO DE LOS PRODUCTOS DEFECTUOSOS, COMO SE DETALLA ARRIBA. (2) **SFA Companies** NO SERÁ RESPONSABLE, EN NINGÚN CASO, POR DAÑOS O PÉRDIDAS EMERGENTES O INCIDENTALES. (3) TODA GARANTÍA IMPLÍCITA, LO QUE INCLUYE, ENTRE OTRAS, LAS GARANTÍAS IMPLÍCITAS DE COMERCIALIZACIÓN Y APTITUD PARA FINES ESPECÍFICOS, ESTARÁ LIMITADA A UN AÑO; DE OTRO MODO, LA REPARACIÓN, EL REEMPLAZO O LA DEVOLUCIÓN DE DINERO CONFORME A ESTA GARANTÍA LIMITADA EXPRESA SERÁ EL EXCLUSIVO RECURSO DEL CONSUMIDOR, Y SE OFRECE EN LUGAR DE CUALQUIER OTRA GARANTÍA, EXPRESA O IMPLÍCITA. (4) CUALQUIER MODIFICACIÓN, ALTERACIÓN, USO INDEBIDO, SERVICIO NO AUTORIZADO O DISEÑO ORNAMENTAL ANULARÁ ESTA GARANTÍA Y NO ESTARÁ CUBIERTO POR ESTA GARANTÍA.

Algunos estados no permiten la limitación de la duración de las garantías implícitas, por lo que las limitaciones anteriores pueden no aplicarse en su caso. Algunos estados no permiten excluir o limitar los daños emergentes o incidentales, por lo tanto esta limitación o exclusión puede no ser aplicable en su caso. Esta garantía le otorga derechos legales específicos. Usted puede tener además otros derechos que varían de un estado a otro.



SFA Companies
10939 N. Pomona Ave. Kansas City, MO 64153
(888) 332-6419
sales@omegalift.com

Note Page/Notes/Notas

Contact:
SFA Companies
10939 N. Pomona Ave. Kansas City, MO 64153, U.S.A.
Tel:(888)332-6419 Fax:(816)891-6599
E-Mail:sales@omegalift.com
Omega Website: <http://www.omegalift.com>



Note Page/Notes/Notas

Contact:
SFA Companies
10939 N. Pomona Ave. Kansas City, MO 64153, U.S.A.
Tel:(888)332-6419 Fax:(816)891-6599
E-Mail:sales@omegalift.com
Omega Website: <http://www.omegalift.com>

