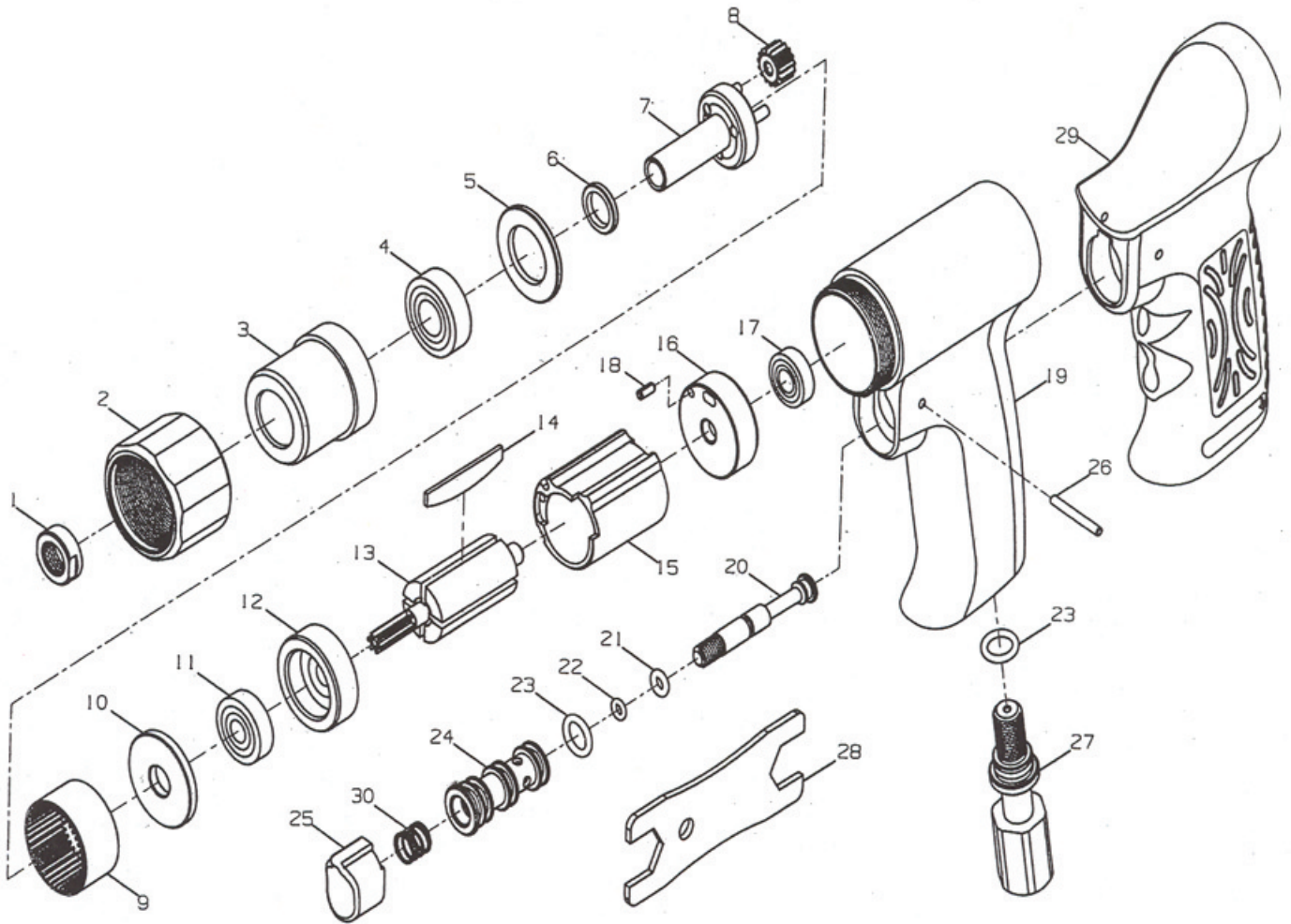


# 3" PISTOL GEARED SANDER & POLISHER

# 3043



3055

Index No.	Part No.	Description	No. Req.	Index No.	Part No.	Description	No. Req.
1	3055-1	Lock Nut	1	17	3055-17	Ball Bearing	1
2	3055-2	Clamp Nut	1	18	3055-18	Pin	1
3	3055-3	Bearing Housing	1	19	3055-19N	Housing	1
4	3055-4	Ball Bearing	3	20	3055-20N	Valve Stem	1
5	3055-5	Washer	1	21	3055-21	O-Ring	1
6	3055-6	Spacer	1	22	3055-22	O-Ring	1
7	3055-7N	Planet Carrier	1	23	3055-23	O-Ring	4
8	3055-8N	Planet Gear	3	24	3055-24N	Valve Bushing	1
9	3055-9	Internal Gear	1	25	3055-25N	Trigger	1
10	3055-10	Washer	1	26	3055-26N	Pin	1
11	3055-11	Ball Bearing	1	27	3055-27	Inlet Bushing	1
12	3055-12	Front End Plate	1	28	3055-28	Wrench	1
13	3055-13	Rotor	1	29	3055-29N	Housing Sleeve	1
14	3055-14	Rotor Blade	4	30	3055-30N	Spring	1
15	3055-15	Cylinder	1	N/A	20302	3" Velcro Pad	1
16	3055-16	Rear End Plate	1	N/A	K-2077-1B	Blow case	1