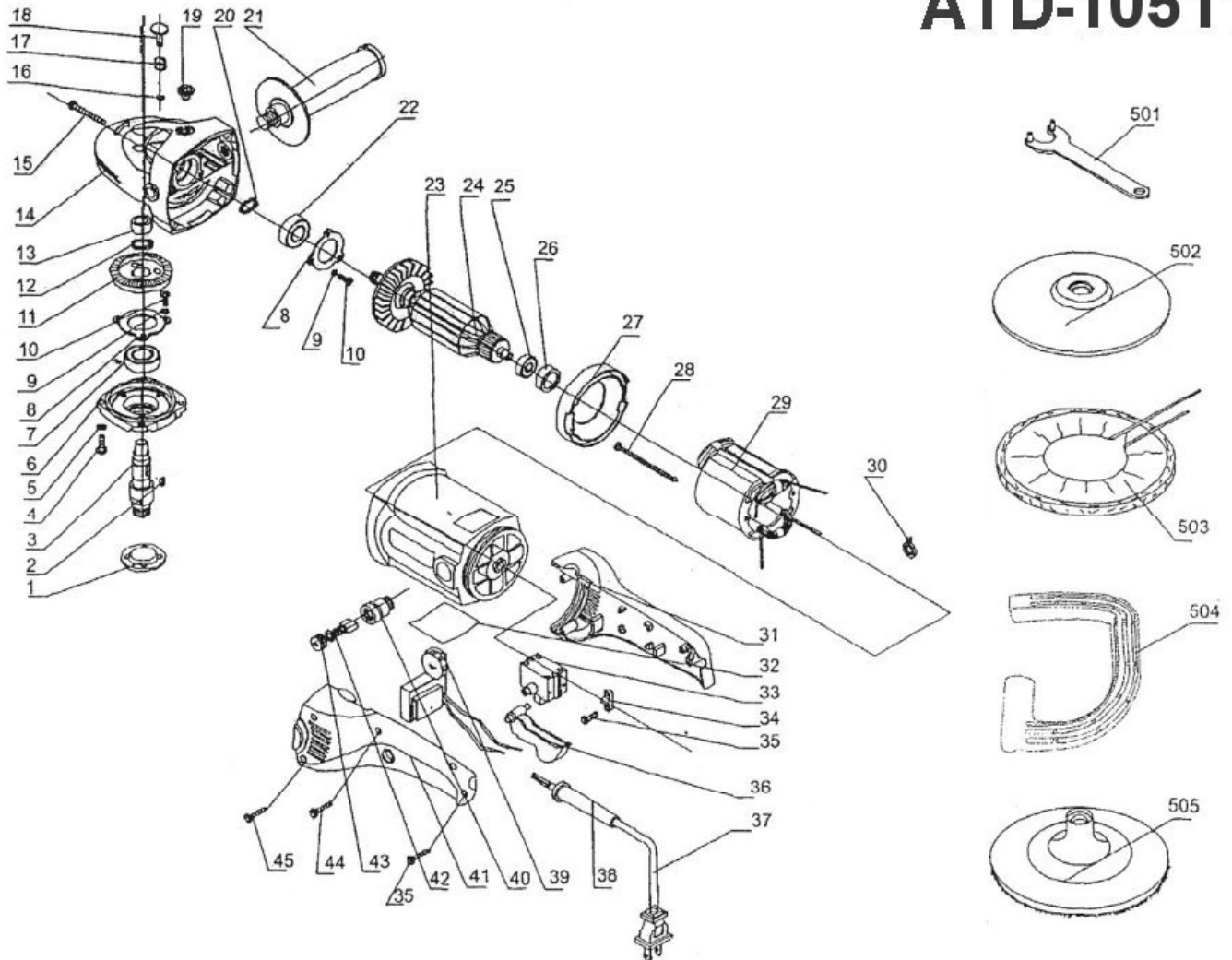


# ATD-10511



ORDERING PART#	ITEM#	PART DESCRIPTION
PRT10511-01	1	FLANGE NUT
PRT10511-02	2	KEY 4x5x13
PRT10511-03	3	SPINDLE
PRT10511-04	4	SCREW M5x16
PRT10511-05	5	SPRING WASHER 5
PRT10511-06	6	BEARING HOUSING
PRT10511-07	7	BEARING 6002.2Z
PRT10511-08	8	BEARING COVER
PRT10511-09	9	SPRING WASHER 4
PRT10511-10	10	SCREW M4x10
PRT10511-11	11	BIG GEAR
PRT10511-12	12	CIRCLIP FOR SHAFT
PRT10511-13	13	BRONZE BUSHING
PRT10511-14	14	GEAR BOX
PRT10511-15	15	SCREW ST5x45
PRT10511-16	16	E-RING 6
PRT10511-17	17	SPRING
PRT10511-18	18	BRAKE PIN
PRT10511-19	19	RUBBER PLUNGE
PRT10511-20	20	CIRCLIP FOR SHAFT
PRT10511-21	21	SIDE HANDLE
PRT10511-22	22	BEARING 6201.2Z
PRT10511-23	23	PLASTIC HOUSING
PRT10511-24	24	ARMATURE
PRT10511-25	25	BEARING 608.2Z
PRT10511-26	26	RUBBER BUSHING

ORDERING PART#	ITEM#	PART DESCRIPTION
PRT10511-27	27	GUIDE WIND CIRCLE
PRT10511-28	28	SCREW ST4.2x75
PRT10511-29	29	STATOR
PRT10511-30	30	TERMINAL
PRT10511-31	31	BLACK HANDLE (A)
PRT10511-32	32	NAMEPLATE
PRT10511-33	33	SWITCH
PRT10511-34	34	CORD CLIP
PRT10511-35	35	SCREW ST4.2x14
PRT10511-36	36	SWITCH PUSH BUTTON
PRT10511-37	37	CORD
PRT10511-38	38	RUBBER SLEEVE
PRT10511-39	39	TIMING SWITCH
PRT10511-40	40	BRUSH HOLDER
PRT10511-41	41	BLACK HANDLE (B)
PRT10511-42	42	CARBON BRUSH
PRT10511-43	43	BRUSH CAP
PRT10511-44	44	SCREW ST 4.2x18
PRT10511-45	45	SCREW ST 4.2x22
PRT10511-501	501	SPANNER
PRT10511-502	502	RUBBER PAD
PRT10511-503	503	WOOL BONNET
PRT10511-504	504	D SHAPE HANDLE
PRT10511-505	505	VELCRO PAD
PRT10511-PAD	01, 501, 502	RETROFIT KIT