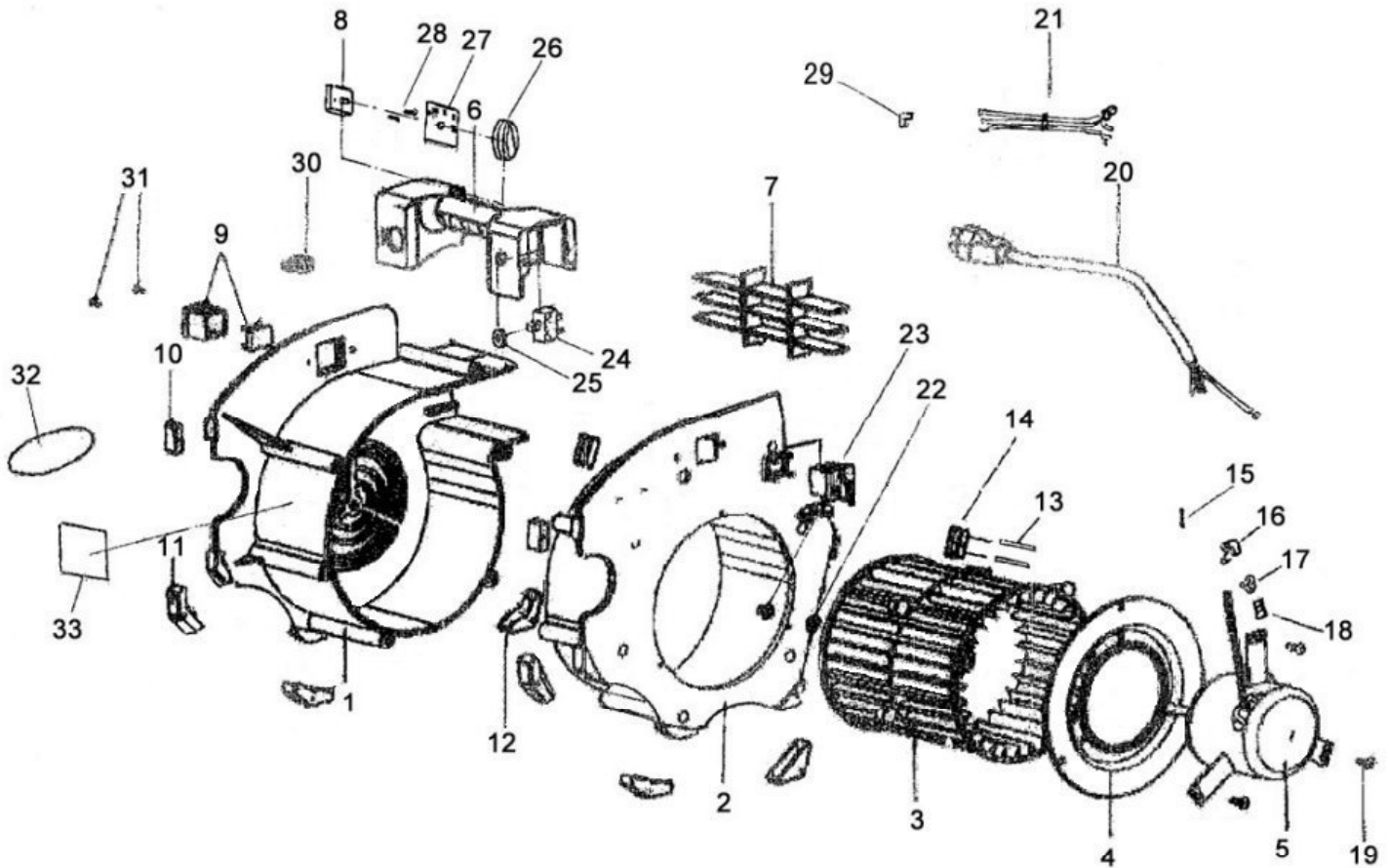


# ATD-30001 (RED)



ORDERING PART#	ITEM#	PART DESCRIPTION
PRT30001-01	1	LEFT HOUSING
PRT30001-02	2	RIGHT HOUSING
PRT30001-03	3	FAN
PRT30001-04	4	MOTOR FIXED RING
PRT30001-05	5	MOTOR
PRT30001-06	6	HANDLE
PRT30001-07	7	GRILL
PRT30001-08	8	SWITCH
PRT30001-09	9	SOCKET
PRT30001-10	10	RUBBER BASE(A)
PRT30001-11	11	RUBBER BASE(B)
PRT30001-12	12	RUBBER BASE(C)
PRT30001-13	13	HEAT-SHRINKABLE TUBE
PRT30001-14	14	CAPACITOR
PRT30001-15	15	PIN
PRT30001-16	16	90° CORD GUARD
PRT30001-17	17	MOTOR CORD GUARD

ORDERING PART#	ITEM#	PART DESCRIPTION
PRT30001-18	18	SWITCH
PRT30001-19	19	SCREW ST4.6X10
PRT30001-20	20	POWER CORD
PRT30001-21	21	CONNECTING WIRES
PRT30001-22	22	WASHER
PRT30001-23	23	NUT M8
PRT30001-24	24	CIRCUIT BREAKER
PRT30001-25	25	PLASTIC NUT
PRT30001-26	26	SPEED CONTROL KNOB
PRT30001-27	27	PANEL LABEL
PRT30001-28	28	SCREW M4X6
PRT30001-29	29	TERMINAL
PRT30001-30	30	POWER CORD GUARD
PRT30001-31	31	SCREW ST4X6
PRT30001-32	32	NAMEPLATE
PRT30001-33	33	RATING LABEL