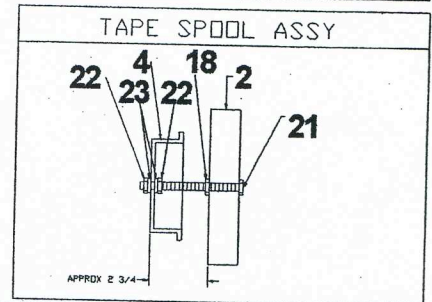
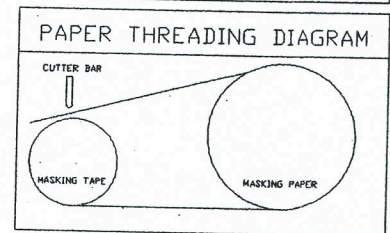
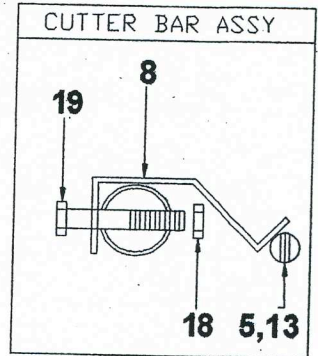
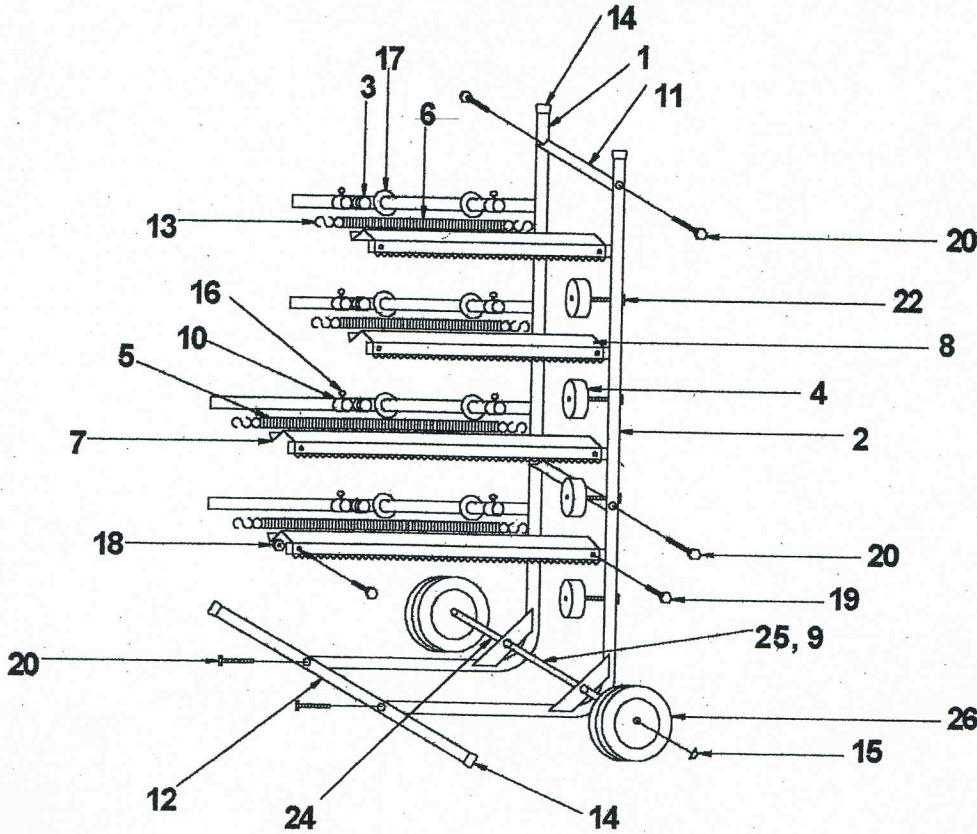




MULTI-ROLL MASKER

P/N 78007

THE KEYSCO MULTI-ROLL MASKER IS DESIGNED TO DISPENSE 4 ROLLS OF MASKING PAPER IN WIDTHS UP TO 18". THE KEYSCO MULTI-ROLL MASKER ALSO PROVIDES EASY PAPER ROLL CHANGING ELIMINATING THE NEED TO REMOVE PAPER BARS TO LOAD PAPER.



#	PART#	DESCRIPTION	QTY	#	PART#	DESCRIPTION	QTY
1	10724	LEFT LEG	1	14	10688	TUBING CAP	4
2	10725	RIGHT LEG	1	15	10705	HUB CAP	2
3	10222	PAPER BAR SPRING	4	16	10203	THUMB SCREW	8
4	10672	TAPE SPOOL	4	17	10677	PAPER BAR WASHER	8
5	10669	EXTENSION SPRING -18"	2	18	10201	1/4" - 20 HEX NUT	12
6	10685	EXTENSION SPRING -12"	2	19	10676	1/4" - 20 X 1 1/2"	8
7	10671	CUTTER BAR - 18"	2	20	10675	1/4" - 20 X 2	6
8	10687	CUTTER BAR - 12"	2	21	10714	1/4" - 20 X 4	4
9	10726	AXLE	1	22	10178	1/4" - 20 LOCK NUT	8
10	10680	PAPER BAR COLLAR	8	23	10218	1/4" FLAT WASHER	8
11	10727	CROSS MEMBER BAR	2	24	10729	AXLE COVER-OUTER	2
12	10728	CROSS MEMBER BAR LOWER	1	25	10730	AXLE COVER-MIDDLE	1
13	10689	S-HOOK	8	26	40225	WHEEL	2

******DO NOT TIGHTEN HARDWARE UNTIL ALL PARTS ARE INSTALLED******

MADE IN U.S.A.

Visit our Web Site at:
<http://www.shindustries.com>
 Or, E-Mail us at:
shind@ix.netcom.com



Division of S&H Industries
 5200 Richmond Road
 Bedford Hts., OH 44146
 (216)831-0550 * (800)253-9726 * FAX (216)831-9573

78000INS
 1/20/97